

Microfilter, Series AS3-FLC

- G 3/8
- filter porosity 0,01 µm
- suitable for ATEX



Version	Microfilter, Can be assembled into blocks
Parts	Microfilter
Mounting orientation	vertical
Certificates	suitable for ATEX
Working pressure min./max.	See table
Ambient temperature min./max.	-10 ... 50 °C
Medium temperature min./max.	-10 ... 50 °C
Medium	Compressed air Neutral gases
Filter reservoir volume	49 cm ³
Filter element	exchangeable
filter porosity	0,01 µm
Condensate drain	See table
Weight	See table

Technical data

Part No.	Port	Qn	Working pressure min./max.	Condensate drain
R412007036	G 3/8	700 l/min	1,5 ... 16 bar	semi-automatic, open without pressure
R412007037	G 3/8	700 l/min	1,5 ... 16 bar	fully automatic, open without pressure
R412007038	G 3/8	700 l/min	0 ... 16 bar	fully automatic, closed without pressure
R412007042	G 3/8	700 l/min	1,5 ... 16 bar	semi-automatic, open without pressure
R412007043	G 3/8	700 l/min	1,5 ... 16 bar	fully automatic, open without pressure
R412007044	G 3/8	700 l/min	0 ... 16 bar	fully automatic, closed without pressure
R412007045	G 1/2	700 l/min	1,5 ... 16 bar	semi-automatic, open without pressure
R412007046	G 1/2	700 l/min	1,5 ... 16 bar	fully automatic, open without pressure
R412007047	G 1/2	700 l/min	0 ... 16 bar	fully automatic, closed without pressure
R412007051	G 1/2	700 l/min	1,5 ... 16 bar	semi-automatic, open without pressure
R412007052	G 1/2	700 l/min	1,5 ... 16 bar	fully automatic, open without pressure
R412007053	G 1/2	700 l/min	0 ... 16 bar	fully automatic, closed without pressure

Part No.	Reservoir	Protective guard	Weight
R412007036	Polycarbonate	Polyamide	0,361 kg
R412007037	Polycarbonate	Polyamide	0,41 kg
R412007038	Polycarbonate	Polyamide	0,41 kg
R412007042	Die cast zinc with window	-	0,78 kg
R412007043	Die cast zinc with window	-	0,833 kg
R412007044	Die cast zinc with window	-	0,833 kg
R412007045	Polycarbonate	Polyamide	0,361 kg
R412007046	Polycarbonate	Polyamide	0,41 kg
R412007047	Polycarbonate	Polyamide	0,41 kg
R412007051	Die cast zinc with window	-	0,759 kg
R412007052	Die cast zinc with window	-	0,812 kg

Part No.	Reservoir	Protective guard	Weight
R412007053	Die cast zinc with window	-	0,733 kg

Technical information

The pressure dew point must be at least 15 °C under ambient and medium temperature and may not exceed 3 °C .

Note: Polycarbonate reservoirs are susceptible to solvents, supplementary information can be found at "Customer information".

Suitable for use in Ex zones 1, 2, 21, 22

A change in the flow direction (from air supply on the left to air supply on the right) occurs by rotating installation by 180° about the vertical axis. Please see the operating instructions for further details.

Also suitable for separation of fluid oil or water due to the design.

Recommended pre-filtering 0,3 µm

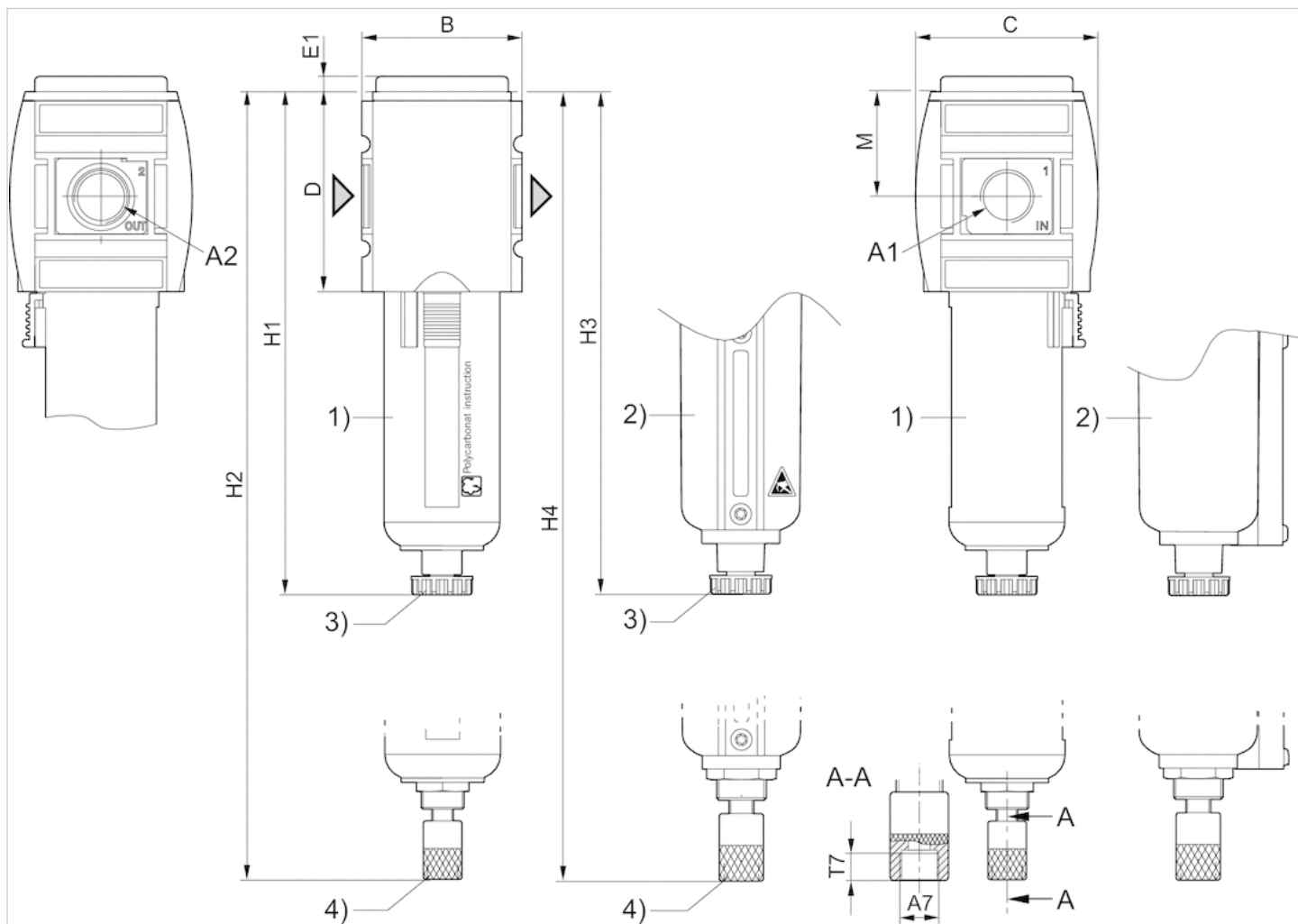
Max. achievable compressed air class acc. to ISO 8573-1:2010 1 : - : 2

Technical information

Material	
Housing	Polyamide
Front plate	Acrylonitrile butadiene styrene
Seals	Acrylonitrile butadiene rubber
Threaded bushing	Die cast zinc
Reservoir	Polycarbonate Die cast zinc
Protective guard	Polyamide
Filter insert	Borosilicate glass fiber

Dimensions

Dimensions



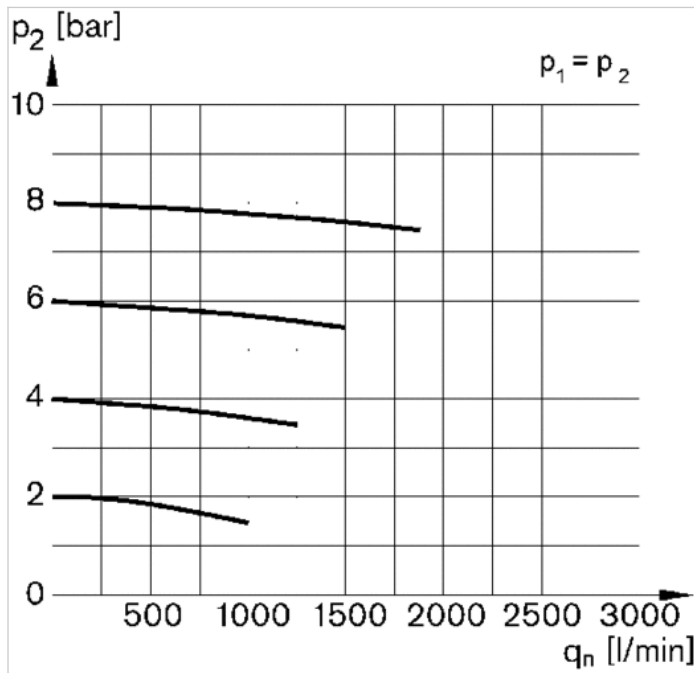
- A1 = input A2 = output
- A7 = condensate drain
- 1) Plastic reservoir and protective guard with window
- 2) Metal reservoir with inspection glass
- 3) Semi-automatic condensate drain
- 4) Fully automatic condensate drain

Dimensions in mm

A1	A2	A7	B	C	D	E1	H1	H2	H3	H4	M	T7
G 3/8	G 3/8	G 1/8	63	74	80	5	189.5	206	193.5	210.5	42.5	8.5
G 3/8	G 3/8	G 1/8	63	74	80	5	189.5	206	193.5	210.5	42.5	8.5
G 1/2	G 1/2	G 1/8	63	74	80	5	189.5	206	193.5	210.5	42.5	8.5

Diagrams

Flow rate characteristic



p1 = Working pressure p2 = Secondary pressure qn = Nominal flow