

# Microfilter, Series AS3-FLC

- G 3/8
- filter porosity 0,01 µm
- contamination display integrated
- suitable for ATEX



Version	Microfilter, Can be assembled into blocks
Parts	Microfilter
Mounting orientation	vertical
Certificates	suitable for ATEX
Working pressure min./max.	See table
Ambient temperature min./max.	-10 ... 50 °C
Medium temperature min./max.	-10 ... 50 °C
Medium	Compressed air Neutral gases
Filter reservoir volume	49 cm <sup>3</sup>
Filter element	exchangeable
filter porosity	0,01 µm
Condensate drain	See table
contamination display	integrated
Weight	See table



## Technical data

Part No.	Port	Qn	Working pressure min./max.	Condensate drain
R412007054	G 3/8	700 l/min	1,5 ... 16 bar	semi-automatic, open without pressure
R412007055	G 3/8	700 l/min	1,5 ... 16 bar	fully automatic, open without pressure
R412007056	G 3/8	700 l/min	0 ... 16 bar	fully automatic, closed without pressure
R412007060	G 3/8	700 l/min	1,5 ... 16 bar	semi-automatic, open without pressure
R412007061	G 3/8	700 l/min	1,5 ... 16 bar	fully automatic, open without pressure
R412007062	G 3/8	700 l/min	0 ... 16 bar	fully automatic, closed without pressure
R412007063	G 1/2	700 l/min	1,5 ... 16 bar	semi-automatic, open without pressure
R412007064	G 1/2	700 l/min	1,5 ... 16 bar	fully automatic, open without pressure
R412007065	G 1/2	700 l/min	0 ... 16 bar	fully automatic, closed without pressure
R412007069	G 1/2	700 l/min	1,5 ... 16 bar	semi-automatic, open without pressure
R412007070	G 1/2	700 l/min	1,5 ... 16 bar	fully automatic, open without pressure
R412007071	G 1/2	700 l/min	0 ... 16 bar	fully automatic, closed without pressure

Part No.	Reservoir	Protective guard	Weight
R412007054	Polycarbonate	Polyamide	0,361 kg
R412007055	Polycarbonate	Polyamide	0,41 kg
R412007056	Polycarbonate	Polyamide	0,41 kg
R412007060	Die cast zinc with window	-	0,783 kg
R412007061	Die cast zinc with window	-	0,757 kg
R412007062	Die cast zinc with window	-	0,757 kg
R412007063	Polycarbonate	Polyamide	0,361 kg
R412007064	Polycarbonate	Polyamide	0,41 kg
R412007065	Polycarbonate	Polyamide	0,762 kg

Part No.	Reservoir	Protective guard	Weight
R412007069	Die cast zinc with window	-	0,762 kg
R412007070	Die cast zinc with window	-	0,736 kg
R412007071	Die cast zinc with window	-	0,736 kg

## Technical information

The pressure dew point must be at least 15 °C under ambient and medium temperature and may not exceed 3 °C .

Note: Polycarbonate reservoirs are susceptible to solvents, supplementary information can be found at "Customer information".

Suitable for use in Ex zones 1, 2, 21, 22

A change in the flow direction (from air supply on the left to air supply on the right) occurs by rotating installation by 180° about the vertical axis. Please see the operating instructions for further details.

Also suitable for separation of fluid oil or water due to the design.

Recommended pre-filtering 0,3 µm

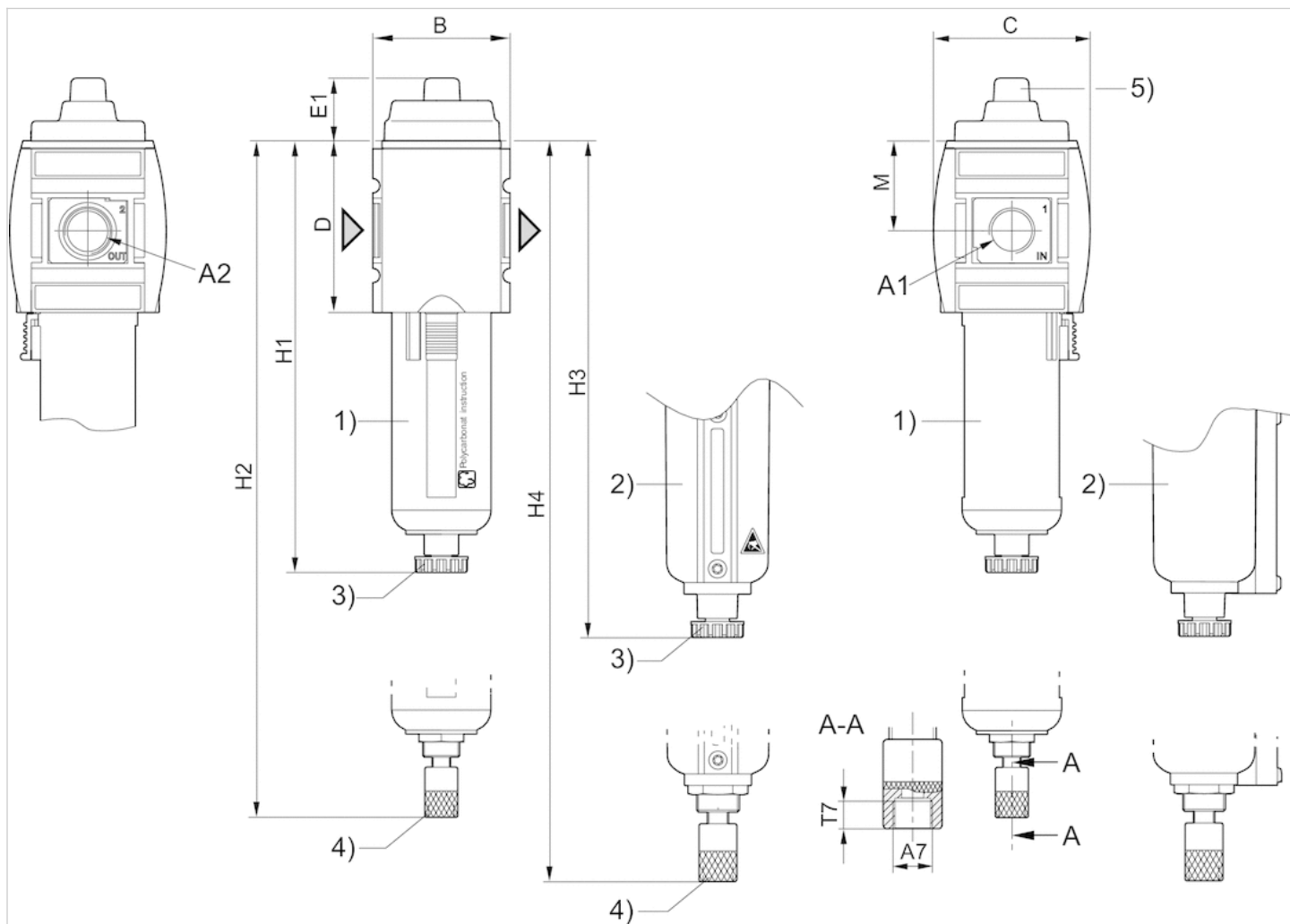
Max. achievable compressed air class acc. to ISO 8573-1:2010 1 : - : 2

## Technical information

Material	
Housing	Polyamide
Front plate	Acrylonitrile butadiene styrene
Seals	Acrylonitrile butadiene rubber
Threaded bushing	Die cast zinc
Reservoir	Polycarbonate Die cast zinc
Protective guard	Polyamide
Filter insert	Borosilicate glass fiber

# Dimensions

## Dimensions



A1 = input  
A2 = output

A7 = condensate drain

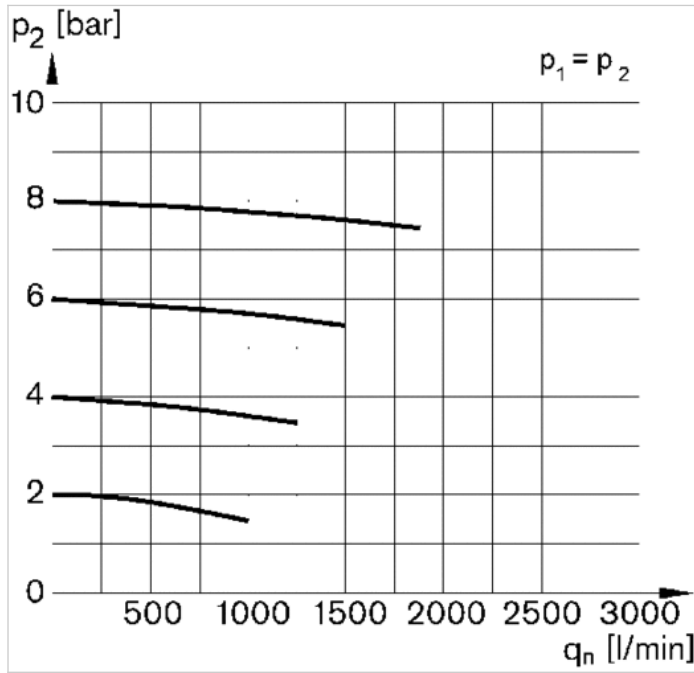
- 1) Plastic reservoir and protective guard with window
- 2) Metal reservoir with inspection glass
- 3) Semi-automatic condensate drain
- 4) Fully automatic condensate drain
- 5) contamination display

## Dimensions in mm

A1	A2	A7	B	C	D	E1	H1	H2	H3	H4	M	T7
G 3/8	G 3/8	G 1/8	63	74	80	23.7	189.5	206	193.5	210.5	42.5	8.5
G 3/8	G 3/8	G 1/8	63	74	80	23.7	189.5	206	193.5	210.5	42.5	8.5
G 1/2	G 1/2	G 1/8	63	74	80	23.7	189.5	206	193.5	210.5	42.5	8.5

# Diagrams

## Flow rate characteristic



$p_1$  = Working pressure  $p_2$  = Secondary pressure  $q_n$  = Nominal flow