

Standard oil-mist lubricator, Series AS3-LBS

- G 3/8
- with protective guard
- suitable for ATEX



Version	Oil-mist lubricator, Can be assembled into blocks
Parts	Standard oil-mist lubricator
Mounting orientation	vertical
Certificates	suitable for ATEX
Working pressure min./max.	0,5 ... 16 bar
Ambient temperature min./max.	-10 ... 50 °C
Medium temperature min./max.	-10 ... 50 °C
Medium	Compressed air Neutral gases
Lubricator reservoir volume	80 cm ³
Type of filling	Semi-automatic oil filling during operation Manual oil filling
Weight	See table

Technical data

Part No.	Port	Nominal flow Qn	Reservoir	Protective guard	Weight	
R412007225	G 3/8	8000 l/min	Polycarbonate	Polyamide	0,343 kg	1)
R412007226	G 3/8	8000 l/min	Polycarbonate	Polyamide	0,343 kg	2)
R412007229	G 3/8	8000 l/min	Die cast zinc with window	-	0,749 kg	1)
R412007231	G 1/2	8000 l/min	Polycarbonate	Polyamide	0,343 kg	1)
R412007232	G 1/2	8000 l/min	Polycarbonate	Polyamide	0,343 kg	2)
R412007235	G 1/2	8000 l/min	Die cast zinc with window	-	0,728 kg	1)

Technical information

2) Electrical level detection. Suitable for use in Ex zones 1, 2, 21, 22

The pressure dew point must be at least 15 °C under ambient and medium temperature and may not exceed 3 °C .

Electrical level detection only with ST6 sensor with reed contact, sensor holder included in the scope of the delivery.

Sensor not included in scope of delivery, sensor installation prepared.

The entire preset drip quantity enters the pressure system

Manual oil filling possible during operation at a maximum operating pressure of 10 bar.

Suitable for use in Ex zones 1, 2, 21, 22

Note: Polycarbonate reservoirs are susceptible to solvents, supplementary information can be found at "Customer information".

A change in the flow direction (from air supply on the left to air supply on the right) occurs by rotating installation by 180° about the vertical axis. Please see the operating instructions for further details.

Oil dosing at 1000 l/min 1-2 drops

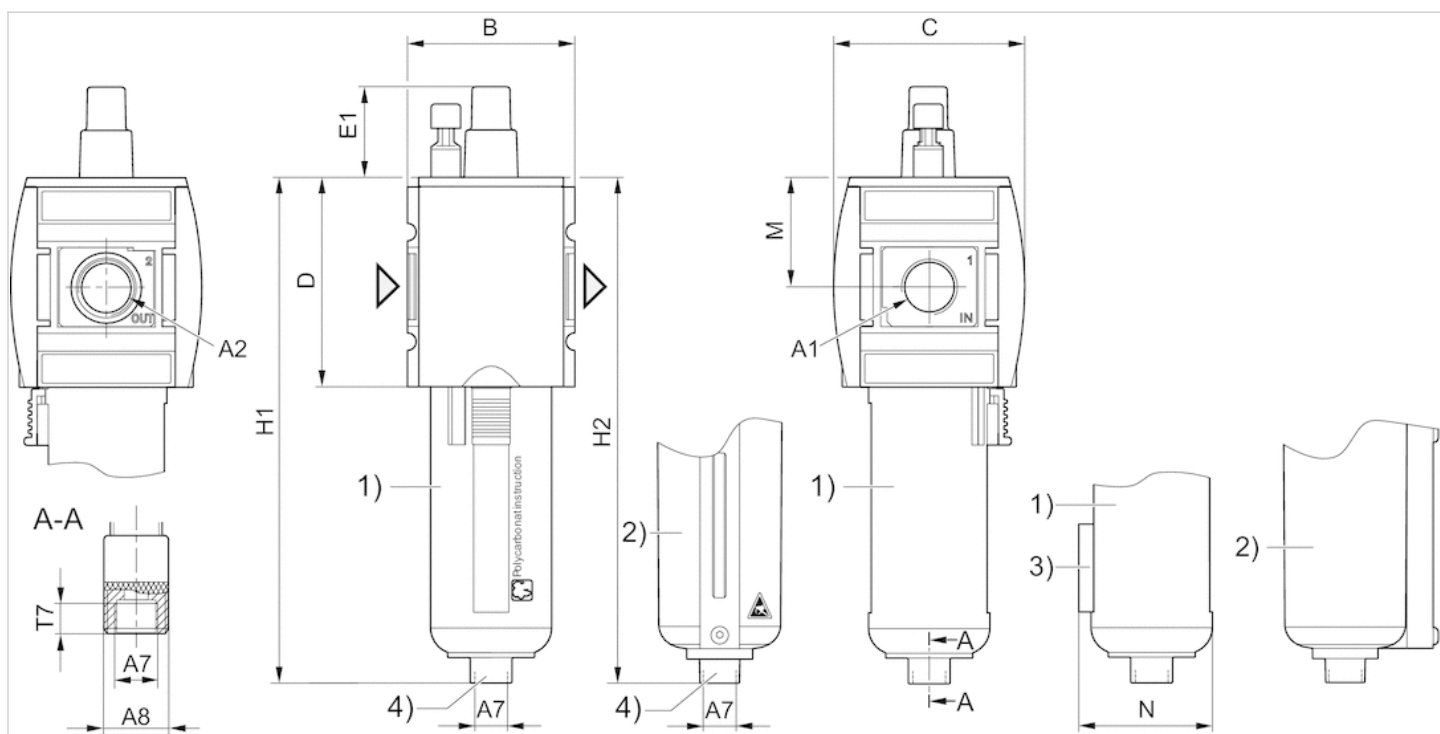
Technical information

Material	
Housing	Polyamide
Front plate	Acrylonitrile butadiene styrene

Material	
Seals	Acrylonitrile butadiene rubber
Threaded bushing	Die cast zinc
Reservoir	Polycarbonate Die cast zinc
Protective guard	Polyamide

Dimensions

Dimensions



A1 = input A2 = output

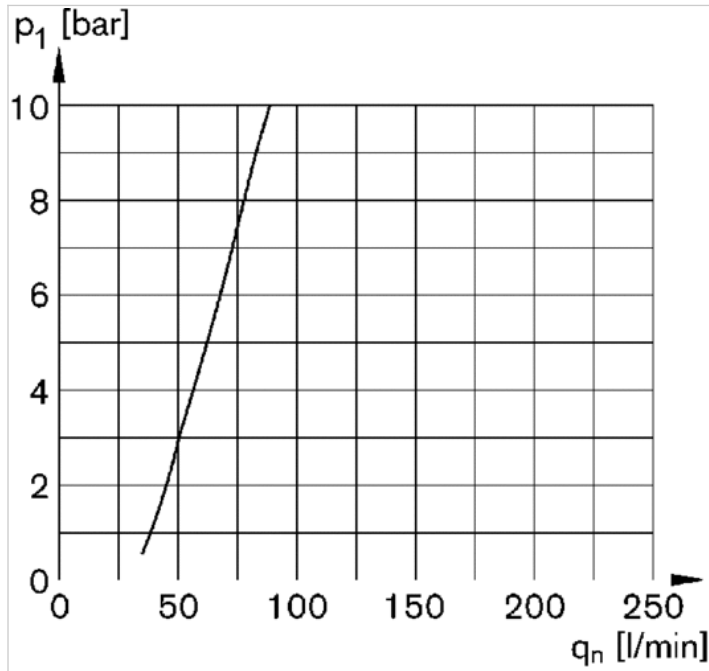
- 1) Plastic reservoir and protective guard with window
- 2) Metal reservoir with inspection glass
- 3) Holder for sensor
- 4) Port for semi-automatic oil filling

Dimensions in mm

A1	A2	A7	A8	B	C	D	E1	H1	H2	M	N	T7
G 3/8	G 3/8	G 1/8	G 1/4	63	74	80	27.5	183	187	42.5	48	7
G 3/8	G 3/8	G 1/8	G 1/4	63	74	80	27.5	183	187	42.5	48	7
G 1/2	G 1/2	G 1/8	G 1/4	63	74	80	27.5	183	187	42.5	48	7

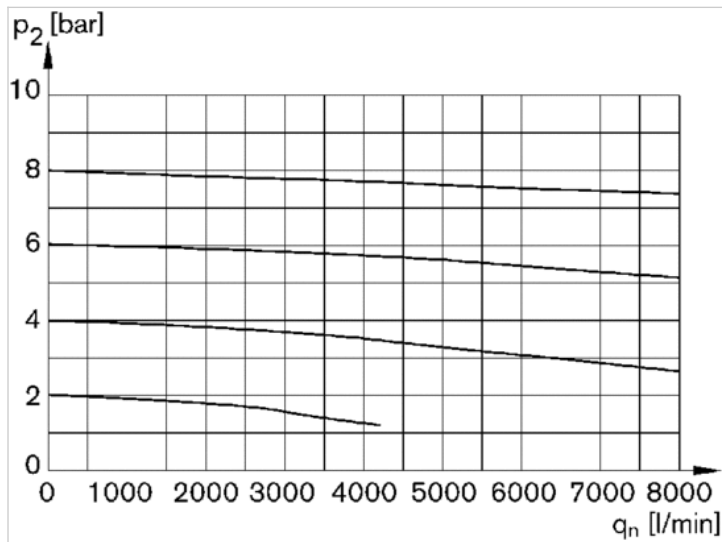
Diagrams

Lubricator activation margin



p1 = working pressure
qn = nominal flow

Flow rate characteristic



p2 = secondary pressure
qn = nominal flow