




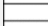
# 2/2-directional valve, electrically operated, Series AS3-SOV

- Compressed air connection G 3/8
- Pipe connection
- NC
- Electrical connection: Plug, ISO 15217, form C



Version	Poppet valve, Can be assembled into blocks
Parts	2/2-directional valve, electrically operated
Nominal flow	4500 l/min
Working pressure min./max.	2,5 ... 10 bar
Medium	Compressed air Neutral gases
Medium temperature min./max.	-10 ... 50 °C
Ambient temperature min./max.	-10 ... 50 °C
Sealing principle	Soft sealing
Max. particle size	25 µm
Protection class acc. to DIN EN 61140 with plug	IP65
Duty cycle	100 %
Weight	See table

## Technical data

Part No.		Compressed air connection input	Compressed air connection output	Operational voltage
				DC
R415011113		G 1/2	G 1/2	24 V
R412007341		G 3/8	G 3/8	24 V
R412007342		G 3/8	G 3/8	24 V
R412007343		G 1/2	G 1/2	24 V

Part No.	Power consumption	Electrical connection	basic valve with electrical connector
	DC	Pilot valve	
R415011113	2 W	Plug, ISO 15217, form C	Basic valve with pilot valve
R412007341	2 W	Plug, ISO 15217, form C	Basic valve with pilot valve
R412007342	2 W	Plug, M12	Basic valve with pilot valve
R412007343	2 W	Plug, M12	Basic valve with pilot valve

Part No.	Reverse polarity protection	Weight	Fig.
R415011113	Protected against polarity reversal	0,459 kg	Fig. 1
R412007341	Protected against polarity reversal	0,609 kg	Fig. 1
R412007342	Protected against polarity reversal	0,61 kg	Fig. 2
R412007343	Protected against polarity reversal	0,6 kg	Fig. 2

## Technical information

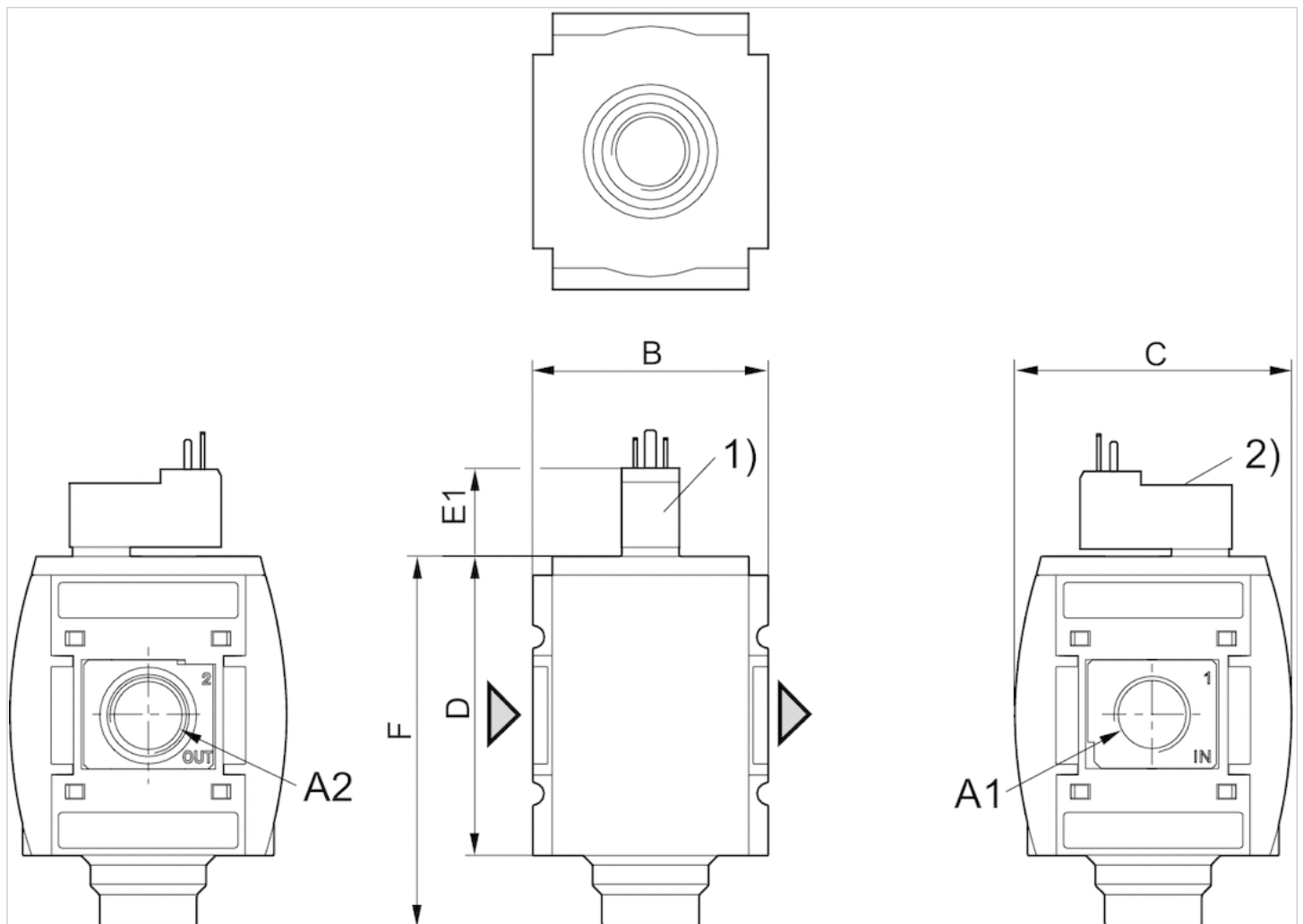
The pressure dew point must be at least 15 °C under ambient and medium temperature and may not exceed 3 °C .  
A change in the flow direction (from air supply on the left to air supply on the right) occurs by rotating installation by 180° about the vertical axis. Please see the operating instructions for further details.

## Technical information

Material	
Housing	Polyamide
Front plate	Acrylonitrile butadiene styrene
Seals	Acrylonitrile butadiene rubber
Threaded bushing	Die cast zinc

## Dimensions

Fig. 1: 2/2-directional valve with pilot valve and port for electrical connector form C



A1 = input A2 = output

1) Connection for valve plug connector according to ISO 15217 (form C)

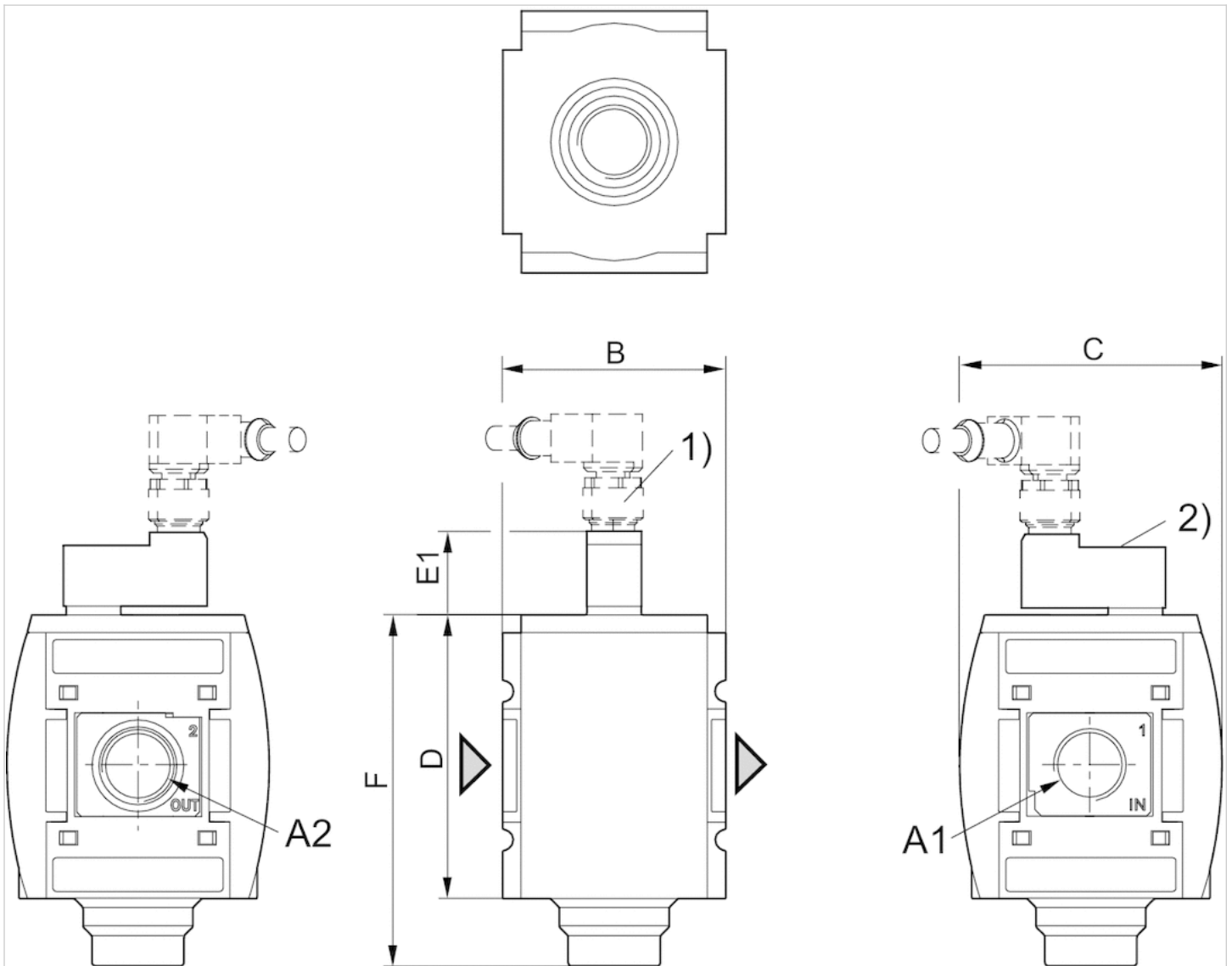
2) Manual override

## Dimensions in mm

A1	A2	B	C	D	E1	F
G 1/2	G 1/2	63	74	80	23.2	99
G 3/8	G 3/8	63	74	80	23.2	99

## Dimensions

Fig. 2: 2/2-directional valve with pilot valve push-in fitting M12x1



A1 = input A2 = output

1) plug M12

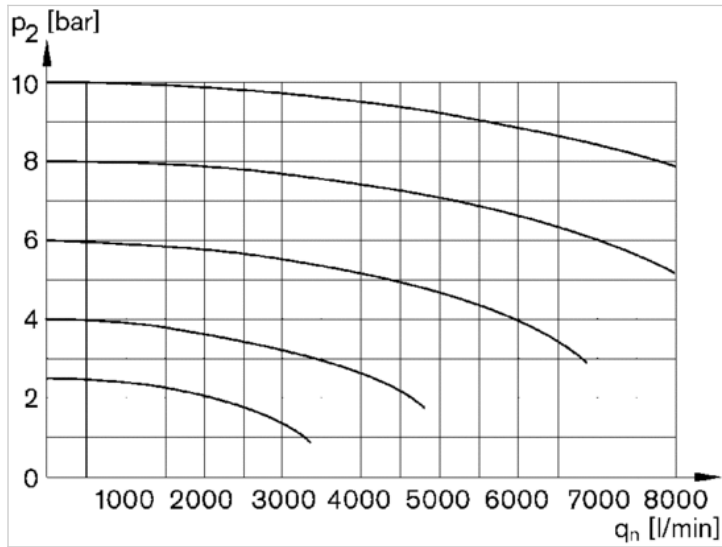
2) Manual override

## Dimensions in mm

A1	A2	B	C	D	E1	F
G 3/8	G 3/8	63	74	80	23.2	99
G 1/2	G 1/2	63	74	80	23.2	99

# Diagrams

## Flow rate characteristic



$p_2$  = secondary pressure  $q_n$  = nominal flow