

Pressure regulator, Series NL1-RGS

- G 1/4
- Qn = 1350 l/min
- Standard pressure regulator
- Activation Mechanical
- cold-resistant
- suitable for ATEX



Parts	Pressure regulator
Mounting orientation	Any
Certificates	suitable for ATEX
Working pressure min./max.	0,5 ... 16 bar
Ambient temperature min./max.	-30 ... 50 °C
Medium temperature min./max.	-30 ... 50 °C
Medium	Compressed air Neutral gases
Regulator type	Diaphragm-type pressure regulator Can be assembled into blocks with relieving air exhaust
Regulator function	
Adjustment range min./max.	0,5 ... 10 bar
Pressure supply	single
Activation	Mechanical
Weight	0,26 kg



Technical data

Part No.	Port	Flow
		Qn
R412007620	G 1/4	1350 l/min

Technical information

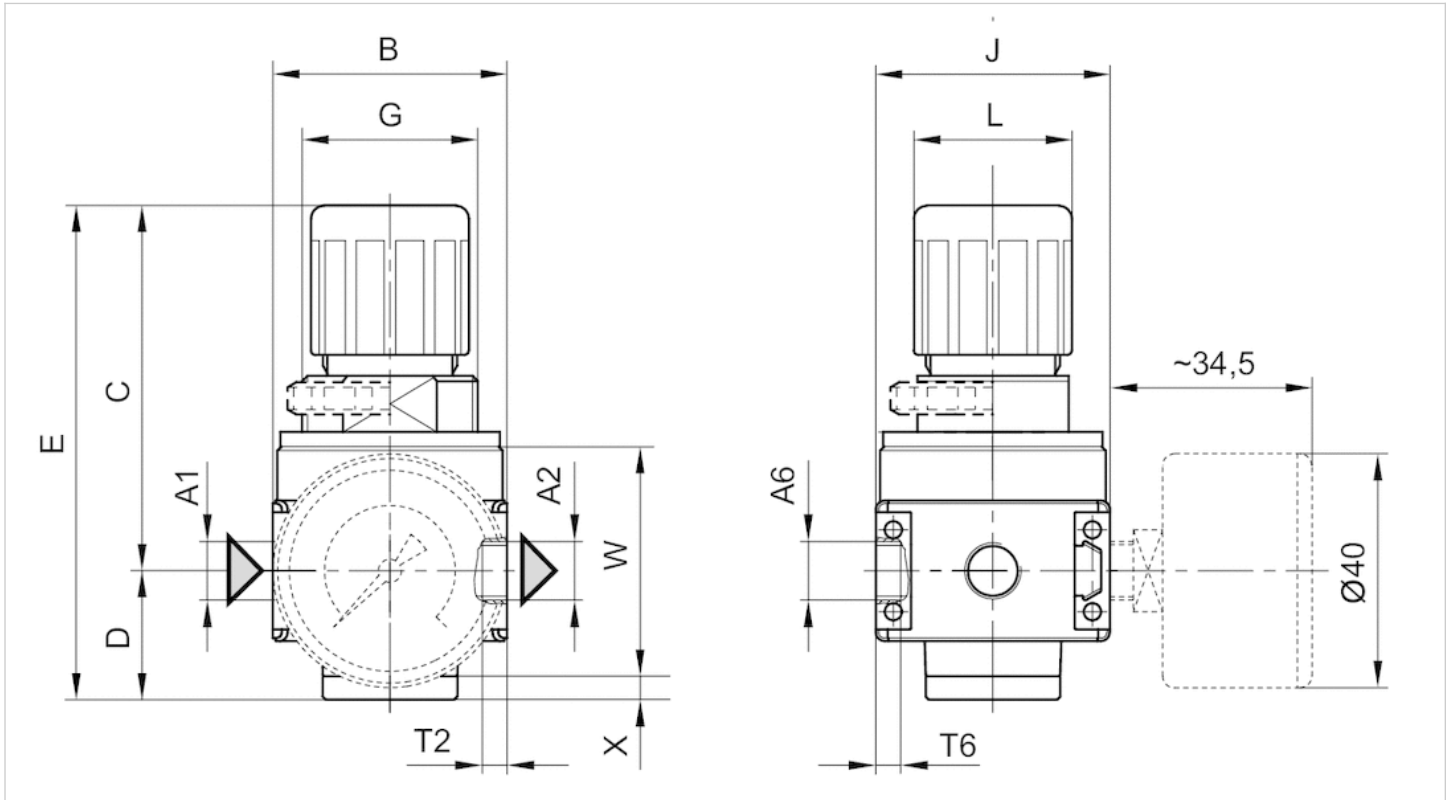
The pressure dew point must be at least 15 °C under ambient and medium temperature and may not exceed 3 °C .
 The rear pressure gauge connection on the pressure regulator is closed with a blanking plug, the front connection is open. Depending on the customer application, a second blanking plug may be necessary. Please order separately (see accessories).
 Suitable for use in Ex zones 1, 2, 21, 22
 A change in the flow direction (from air supply on the left to air supply on the right) occurs by rotating installation by 180° about the vertical axis. Please see the operating instructions for further details.
 Relieving exhaust (≤ 0.3 bar over set pressure)
 With rear exhaust (> 3 bar)
 Recommended pre-filtering 5 μ m

Technical information

Material	
Housing	Die cast zinc
Seals	Chloroprene rubber

Dimensions

Dimensions



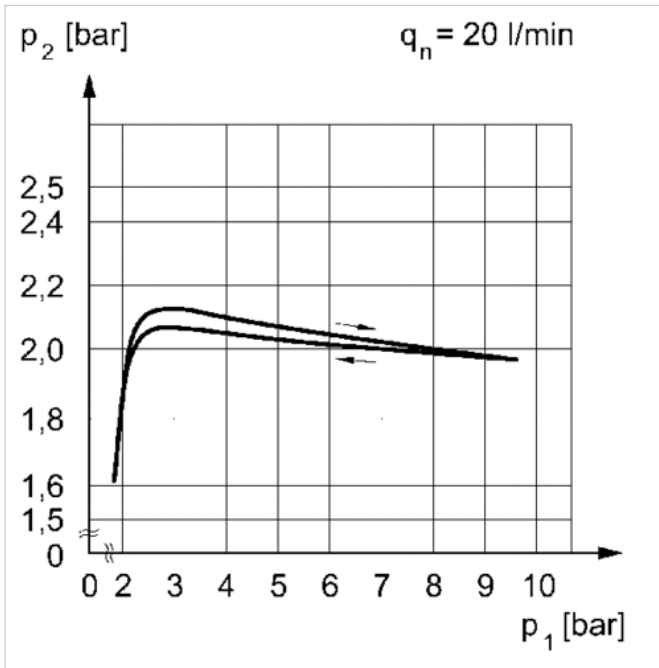
A1 = input A2 = output A6 = output

Dimensions in mm

A1	A2	A6	B	C	D	E	G	J	K	L	M	O	R	T	T2	T6	U	W	X
G 1/4	G 1/4	G 1/8	40	62.5	22	84.5	M30x1,5	40	43.5	27	3	38	5.4	8	8	6	18.5	39.5	4

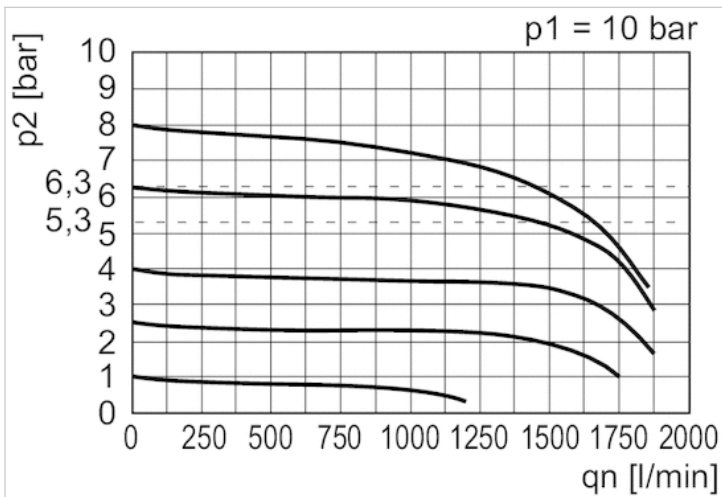
Diagrams

Pressure characteristics curve



p_1 = Working pressure p_2 = Secondary pressure q_n = Nominal flow

Flow rate characteristic (setting range p_2 : 0.5 - 10 bar)



p_1 = Working pressure p_2 = Secondary pressure q_n = Nominal flow