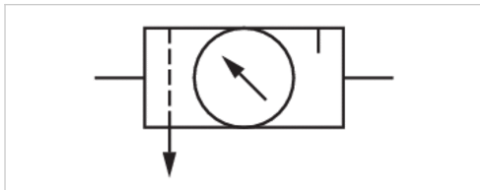


Maintenance unit, 3-part, Series NL2- ACT

- G 1/4
- filter porosity 5 µm
- with pressure gauge
- suitable for ATEX



Version	3-part, Can be assembled into blocks
Parts	Pressure regulator, Filter, Lubricator
Mounting orientation	vertical
Certificates	suitable for ATEX
Working pressure min./max.	2 ... 16 bar
Ambient temperature min./max.	-10 ... 60 °C
Medium temperature min./max.	-10 ... 60 °C
Medium	Compressed air Neutral gases
Nominal flow Qn	1200 l/min
Regulator type	Diaphragm-type pressure regulator
Regulator function	with relieving air exhaust
Adjustment range min./max.	0,5 ... 10 bar
Pressure supply	single
Filter reservoir volume	25 cm ³
Filter element	exchangeable
Condensate drain	See table
Lubricator reservoir volume	50 cm ³
Type of filling	Manual oil filling
Weight	See table

Technical data

Part No.	Port	Flow Qn	Condensate drain		Reservoir
0821300450	G 1/4	1200 l/min	semi-automatic, open without pressure		Polycarbonate
0821300453	G 1/4	1200 l/min	fully automatic, open without pressure		Polycarbonate
0821300451	G 1/4	1200 l/min	semi-automatic, open without pressure		Polycarbonate
0821300454	G 1/4	1200 l/min	fully automatic, open without pressure		Polycarbonate
0821300452	G 1/4	1200 l/min	semi-automatic, open without pressure		Die cast zinc
0821300455	G 1/4	1200 l/min	fully automatic, open without pressure		Die cast zinc
0821300485	G 3/8	1200 l/min	fully automatic, open without pressure		Die cast zinc
0821300480	G 3/8	1200 l/min	semi-automatic, open without pressure		Polycarbonate
0821300483	G 3/8	1200 l/min	fully automatic, open without pressure		Polycarbonate
0821300484	G 3/8	1200 l/min	fully automatic, open without pressure		Polycarbonate
0821300481	G 3/8	1200 l/min	semi-automatic, open without pressure		Polycarbonate
0821300482	G 3/8	1200 l/min	semi-automatic, open without pressure		Die cast zinc

Part No.	Protective guard	Weight
0821300450	-	1,19 kg
0821300453	-	1,23 kg
0821300451	Steel	1,27 kg

Part No.	Protective guard	Weight
0821300454	Steel	1,31 kg
0821300452	-	1,54 kg
0821300455	-	1,57 kg
0821300485	-	1,57 kg
0821300480	-	1,19 kg
0821300483	-	1,23 kg
0821300484	Steel	1,31 kg
0821300481	Steel	1,27 kg
0821300482	-	1,54 kg

Technical information

The pressure dew point must be at least 15 °C under ambient and medium temperature and may not exceed 3 °C .

Suitable for use in Ex zones 1, 2, 21, 22

Note: Polycarbonate reservoirs are susceptible to solvents, supplementary information can be found at "Customer information".

A change in the flow direction (from air supply on the left to air supply on the right) occurs by rotating installation by 180° about the vertical axis. Please see the operating instructions for further details.

Also suitable for separation of fluid oil or water due to the design.

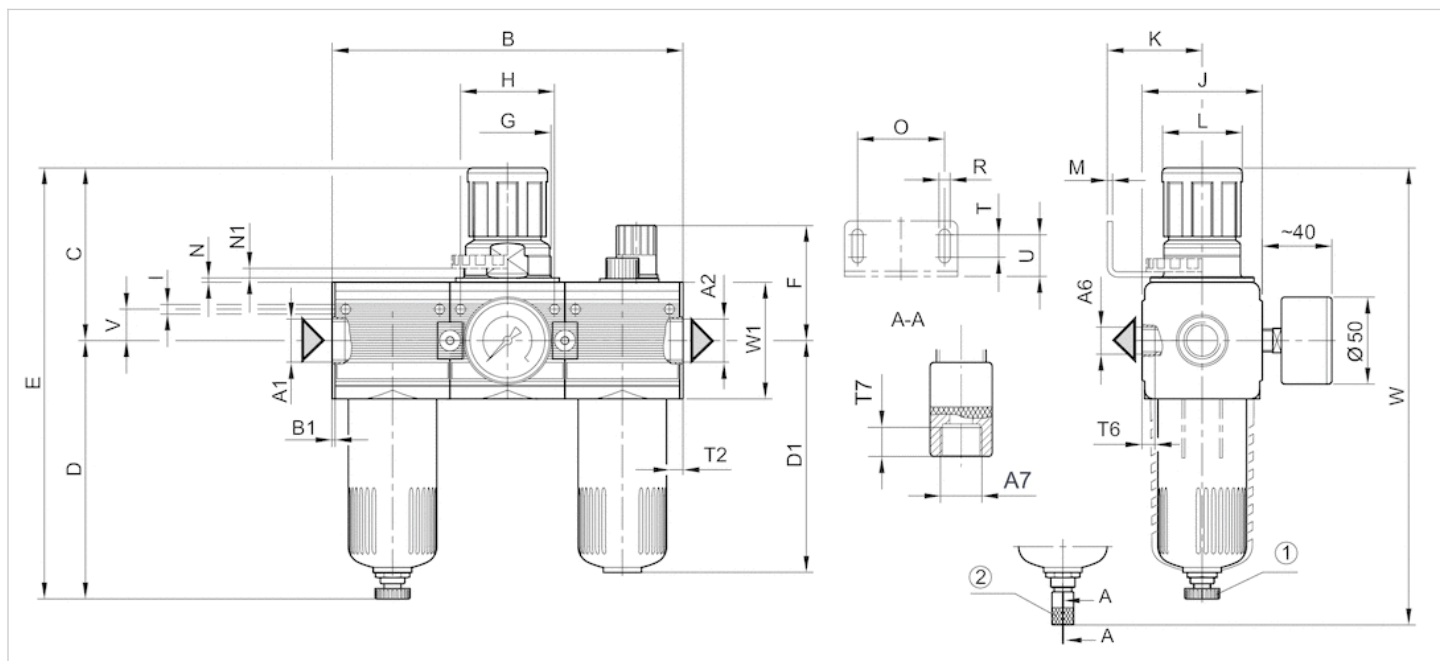
Oil dosing at 1000 l/min 1-2 drops

Technical information

Material	
Housing	Die cast zinc
Front plate	Acrylonitrile butadiene styrene
Seals	Acrylonitrile butadiene rubber
Reservoir	Polycarbonate Die cast zinc
Protective guard	Steel
Filter insert	Polyethylene

Dimensions

Dimensions



A1 = input A2 = output A6 = output

A7 = condensate drain

1) Semi-automatic condensate drain 2) fully automatic condensate drain

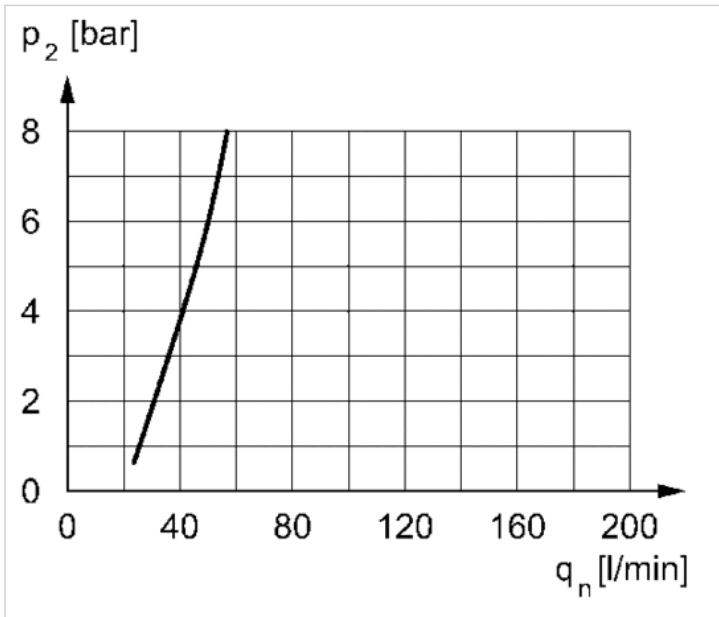
Dimensions in mm

A1	A2	A6	A7	B	B1	C	D	D1	E	F	G	H	I	J	K	L	M	N	N1	O
G 1/4	G 1/4	G 1/4	G 1/8	138	1.5	67.5	125	109	192.5	58	M30x1,5	36	4.4	47	43.5	28	3	3	3.5	38
G 1/4	G 1/4	G 1/4	G 1/8	138	1.5	67.5	125	109	192.5	58	M30x1,5	36	4.4	47	43.5	28	3	3	3.5	38
G 3/8	G 3/8	G 1/4	G 1/8	138	1.5	67.5	125	109	192.5	58	M30x1,5	36	4.4	47	43.5	28	3	3	3.5	38

R	T	T2	T6	T7	U	V	W	W1
5.4	8	9.5	7	8.5	18.5	12.3	205.5	52
5.4	8	9.5	7	8.5	18.5	12.3	205.5	52
5.4	8	9.5	7	8.5	18.5	12.3	205.5	52

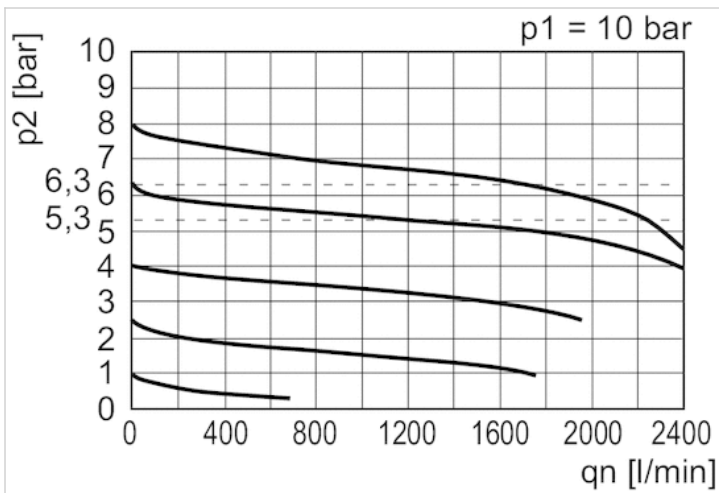
Diagrams

minimum flow rate curve (flow rate necessary for the correct functioning of the lubricator)



p1 = Working pressure p2 = Secondary pressure qn = Nominal flow

Flow rate characteristic



p1 = Working pressure p2 = Secondary pressure qn = Nominal flow