

3/2-directional valve, pneumatically operated, Series NL2-SOV

- Compressed air connection G 1/4
- Pipe connection
- suitable for ATEX



Version	Poppet valve, Can be assembled into blocks
Sealing principle	Soft sealing
Certificates	suitable for ATEX
Working pressure min./max.	0 ... 16 bar
Control pressure min./max.	3 ... 16 bar
Ambient temperature min./max.	-10 ... 60 °C
Medium temperature min./max.	-10 ... 60 °C
Medium	Compressed air Neutral gases
Max. particle size	5 µm
Weight	0,4 kg

Technical data

Part No.	Port	Exhaust	Flow	Flow
			Qn 1→2	Qn 2→3
0821300921	G 1/4	G 1/4	1100 l/min	450 l/min

Technical information

The pressure dew point must be at least 15 °C under ambient and medium temperature and may not exceed 3 °C .

Suitable for use in Ex zones 1, 2, 21, 22

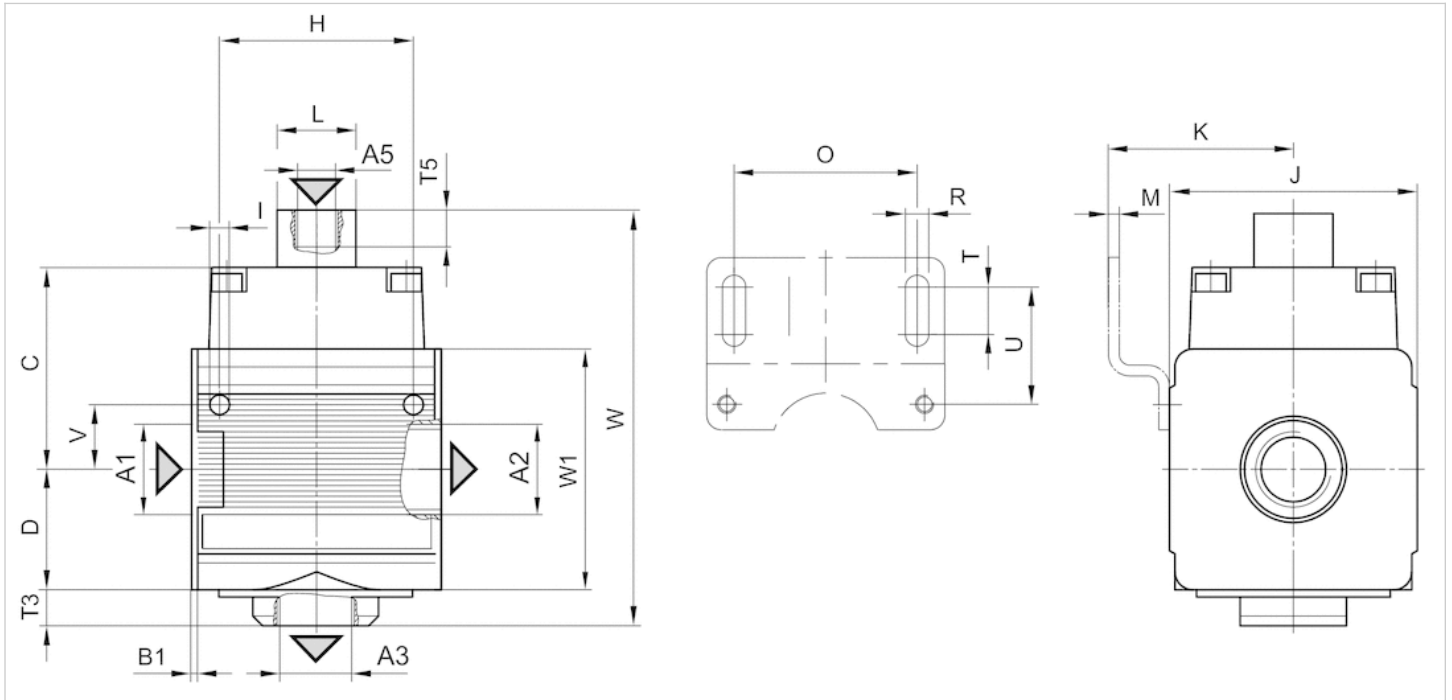
A change in the flow direction (from air supply on the left to air supply on the right) occurs by rotating installation by 180° about the vertical axis. Please see the operating instructions for further details.

Technical information

Material	
Housing	Die cast zinc
Front plate	Acrylonitrile butadiene styrene
Seals	Acrylonitrile butadiene rubber

Dimensions

Dimensions



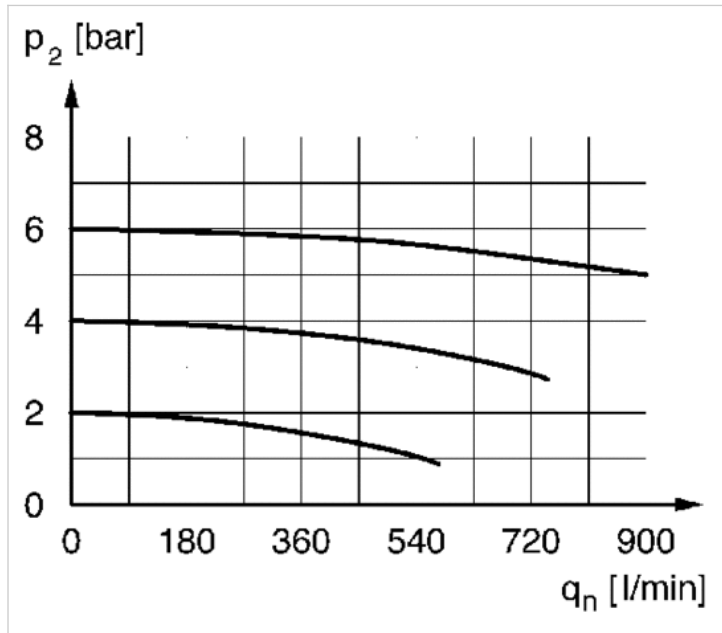
A1 = input
A2 = output
A3 = ventilation port
A5 = control pressure connection

Dimensions in mm

A1	A2	A3	A5	B1	C	D	F	H	I	J	K	M	O	R	T	T5	U	V	W
G 1/4	G 1/4	G 1/4	G 1/8	1.5	44	26	10	36	4.4	47	43.5	3	38	5.4	8	13	27.5	12.3	96

Diagrams

Flow rate characteristic



p_2 = secondary pressure; q_n = nominal flow