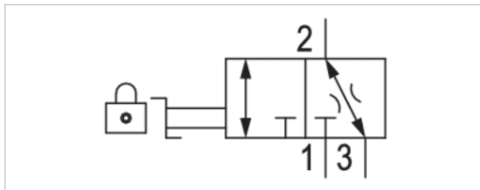


3/2-shut-off valve, mechanically operated, Series NL2-BAV

- G 1/4 G 3/8
- lockable
- for padlocks
- suitable for ATEX



Version	Ball valve
Activation	Mechanical
Lock type	lockable
Actuating element	rotary switch
Sealing principle	metal/metal sealing
Certificates	suitable for ATEX
Nominal flow Qn	3000 l/min
Working pressure min./max.	0 ... 16 bar
Ambient temperature min./max.	-10 ... 60 °C
Medium temperature min./max.	-10 ... 60 °C
Medium	Compressed air Neutral gases
Weight	0,36 kg



Technical data

Part No.	Version	Compressed air connection	
		Input	Output
0821300901	3/2	G 1/4	G 1/4
0821300903	3/2	G 3/8	G 3/8

Part No.	Compressed air connection		Flow	Flow	Lock type
	Exhaust				
0821300901	G 1/4		2800 l/min	70 l/min	for padlocks
0821300903	G 1/4		2800 l/min	70 l/min	for padlocks

Nominal flow Qn with secondary pressure p2 = 6 bar at Δp = 1 bar

Suitable for use in Ex zones 1, 2, 21, 22

Technical information

The pressure dew point must be at least 15 °C under ambient and medium temperature and may not exceed 3 °C .

Suitable for use in Ex zones 1, 2, 21, 22

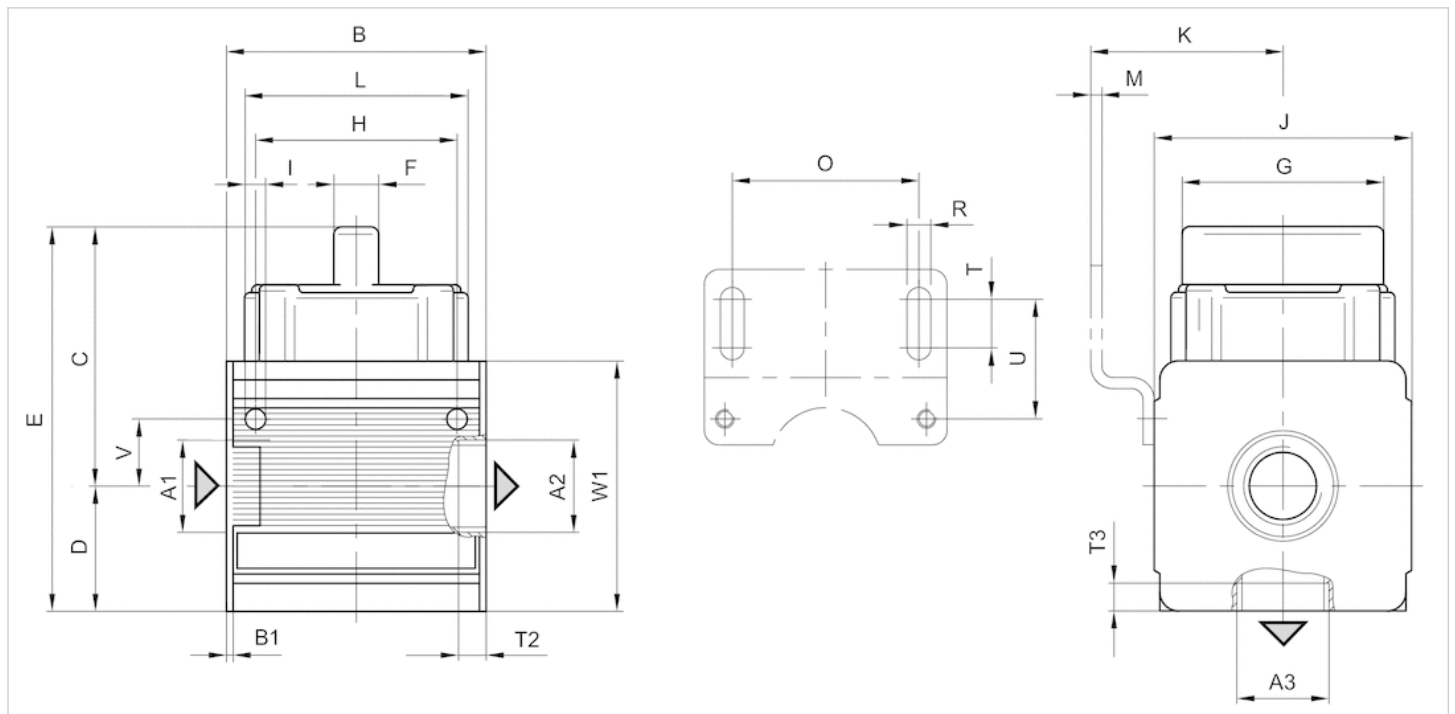
A change in the flow direction (from air supply on the left to air supply on the right) occurs by rotating installation by 180° about the vertical axis. Please see the operating instructions for further details.

Technical information

Material	
Housing	Die cast zinc
Front plate	Acrylonitrile butadiene styrene
Seals	Acrylonitrile butadiene rubber
Actuating element	Polyoxymethylene

Dimensions

Dimensions



A1 = input A2 = output A3 = ventilation port

Dimensions in mm

A2	A3	B	B1	C	D	E	F	G	H	I	J	K	L	M	O	R	T	T2	T3	U	V	W1
G 1/4	G 1/4	48	1.5	54.5	26	80.5	8	33.5	36	4.4	47	43	40.5	3	38	5.4	8	8	8	27.5	12.3	52
G 3/8	G 1/4	48	1.5	54.5	26	80.5	8	33.5	36	4.4	47	43	40.5	3	38	5.4	8	7.5	8	27.5	12.3	52