

Distributor, Series NL2-DIL

- G 1/4
- Distributor 4x
- Narrow distributor
- suitable for ATEX



Version	Narrow distributor, Can be assembled into blocks
Parts	Distributor
Mounting orientation	Any
Certificates	suitable for ATEX
Working pressure min./max.	0 ... 16 bar
Ambient temperature min./max.	-10 ... 60 °C
Medium temperature min./max.	-10 ... 60 °C
Medium	Compressed air Neutral gases
Weight	0,25 kg

Technical data

Part No.	Port	Nominal flow				
		Qn 1►2	Qn 1►3	Qn 1►4	Qn 1►5	Qn 1►6
0821300920	G 1/4	2700 l/min	2700 l/min	900 l/min	2000 l/min	900 l/min

Technical information

Suitable for direct mounting of a PE1 and PM1 series pressure sensor (flange version)

Suitable for use in Ex zones 1, 2, 21, 22

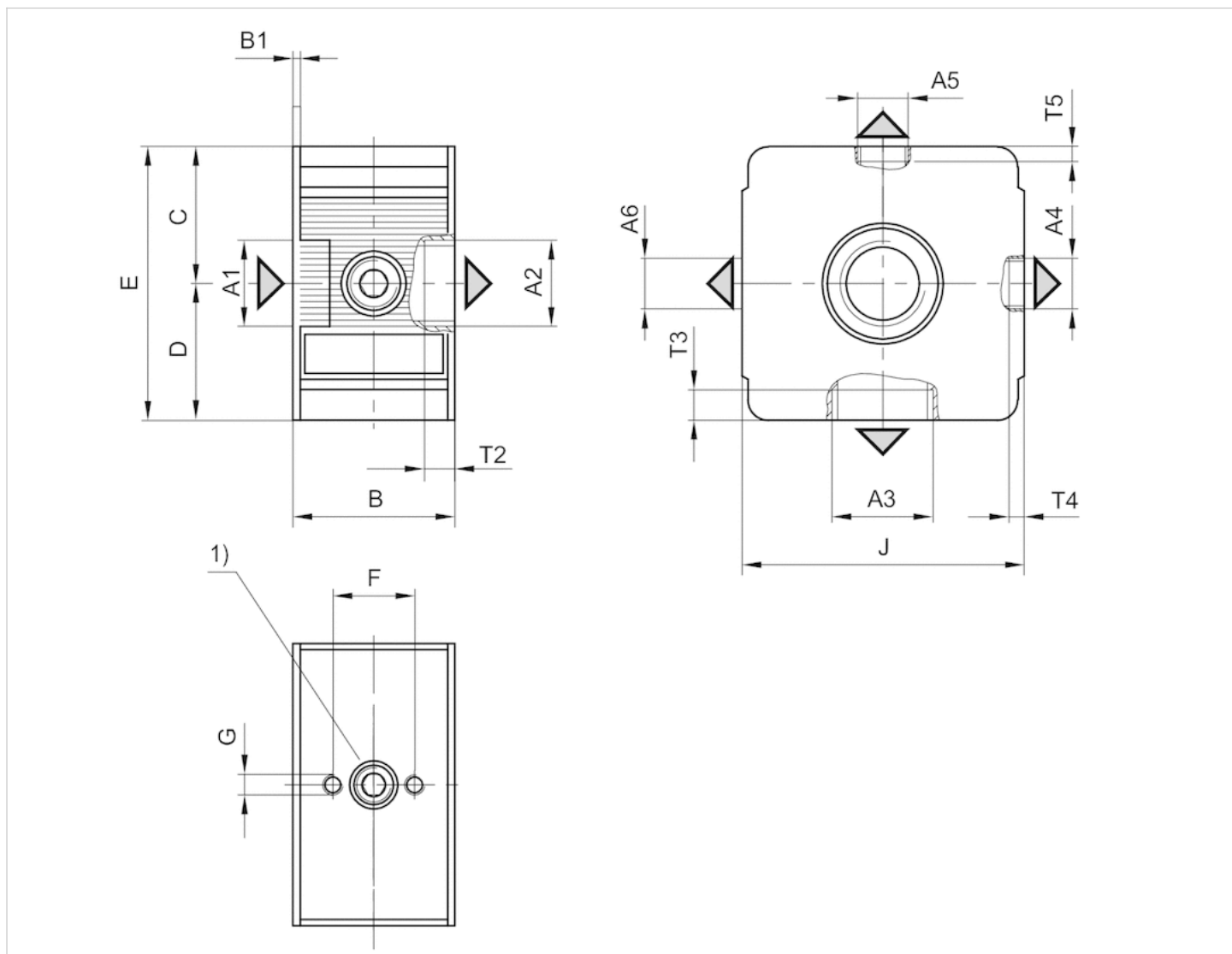
A change in the flow direction (from air supply on the left to air supply on the right) occurs by rotating installation by 180° about the vertical axis. Please see the operating instructions for further details.

Technical information

Material	
Housing	Die cast zinc
Front plate	Acrylonitrile butadiene styrene

Dimensions

Dimensions



A1 = input A2 = output A3 = output A4 = output A5 = output A6 = output

1) hole pattern for mechanical vacuum/pressure switch

Dimensions in mm

A1	A2	A3	A4	A5	A6	B	B1	C	D	E	F	G	J	T2	T3	T4	T5
G 1/4	G 1/4	G 1/4	G 1/4	G 1/8	G 1/4	35	1.5	26	26	52	20	M5	47	12	8.5	7	8