

Distributor, Series NL2-DIS

- G 1/4
- Distributor 4x
- Distributor
- suitable for ATEX



| | |
|-------------------------------|---|
| Version | Distributor, Can be assembled into blocks |
| Parts | Distributor |
| Mounting orientation | Any |
| Certificates | suitable for ATEX |
| Working pressure min./max. | 0 ... 16 bar |
| Ambient temperature min./max. | -10 ... 60 °C |
| Medium temperature min./max. | -10 ... 60 °C |
| Medium | Compressed air Neutral gases |
| Weight | 0,33 kg |

Technical data

| Part No. | Port | Nominal flow | | | | |
|------------|-------|--------------|------------|-----------|------------|-----------|
| | | Qn 1►2 | Qn 1►3 | Qn 1►4 | Qn 1►5 | Qn 1►6 |
| 0821300907 | G 1/4 | 2500 l/min | 2000 l/min | 900 l/min | 2000 l/min | 900 l/min |
| 0821300909 | G 3/8 | 2500 l/min | 2000 l/min | 900 l/min | 2000 l/min | 900 l/min |

Technical information

Suitable for use in Ex zones 1, 2, 21, 22

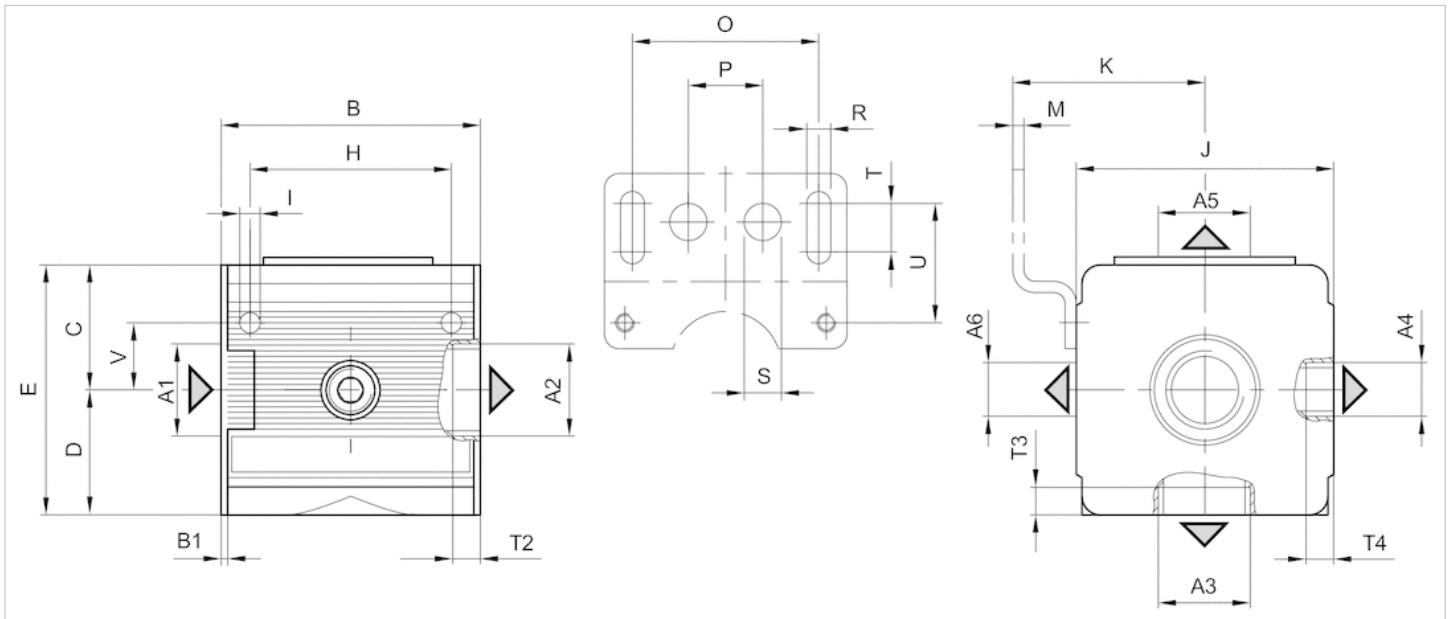
A change in the flow direction (from air supply on the left to air supply on the right) occurs by rotating installation by 180° about the vertical axis. Please see the operating instructions for further details.

Technical information

| Material | |
|-------------|---------------------------------|
| Housing | Die cast zinc |
| Front plate | Acrylonitrile butadiene styrene |

Dimensions

Dimensions



A1 = input A2 = output A3 = output A4 = output A5 = output A6 = output

Dimensions in mm

| A1 | A2 | A3 | A4 | A5 | A6 | B | B1 | C | D | E | H | I | J | K | M | O | R | S | T | T2 | T3 | T4 |
|-------|-------|-------|-------|-------|-------|----|-----|----|----|----|----|-----|----|------|---|----|-----|----|---|-----|----|----|
| G 1/4 | G 1/4 | G 1/4 | G 1/4 | G 1/4 | G 1/4 | 48 | 1.5 | 26 | 26 | 52 | 36 | 4.4 | 47 | 43.5 | 3 | 38 | 5.4 | 10 | 8 | 8 | 8 | 7 |
| G 3/8 | G 3/8 | G 1/4 | G 1/4 | G 1/4 | G 1/4 | 48 | 1.5 | 26 | 26 | 52 | 36 | 4.4 | 47 | 43.5 | 3 | 38 | 5.4 | 10 | 8 | 7.5 | 8 | 7 |

| U | | | | | | | | | | V | | | | | | | | | | | |
|------|--|--|--|--|--|--|--|--|--|------|--|--|--|--|--|--|--|--|--|--|--|
| 27.5 | | | | | | | | | | 12.3 | | | | | | | | | | | |
| 27.5 | | | | | | | | | | 12.3 | | | | | | | | | | | |