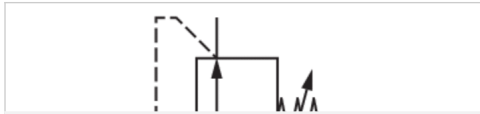


Precision pressure regulator, Series NL4-RGP

- G 1/2
- Qn = 6000 l/min
- Precision pressure regulator
- Activation Mechanical
- suitable for ATEX



Parts	Precision pressure regulator
Mounting orientation	Any
Certificates	suitable for ATEX
Working pressure min./max.	0,5 ... 16 bar
Ambient temperature min./max.	-10 ... 60 °C
Medium temperature min./max.	-10 ... 60 °C
Medium	Compressed air Neutral gases
Regulator type	Diaphragm-type pressure regulator Can be assembled into blocks with relieving air exhaust
Regulator function	See table
Adjustment range min./max.	single
Pressure supply	Mechanical
Activation	2,6 l/min
Internal air consumption q max.	0,867 kg
Weight	

Technical data

Part No.	Port	Flow	Adjustment range min./max.
		Qn	
0821302511	G 1/2	6000 l/min	0,1 ... 3 bar
0821302512	G 1/2	6000 l/min	0,2 ... 6 bar
0821302513	G 1/2	6000 l/min	0,5 ... 10 bar

Technical information

The pressure dew point must be at least 15 °C under ambient and medium temperature and may not exceed 3 °C .

Suitable for use in Ex zones 1, 2, 21, 22

A change in the flow direction (from air supply on the left to air supply on the right) occurs by rotating installation by 180° about the vertical axis. Please see the operating instructions for further details.

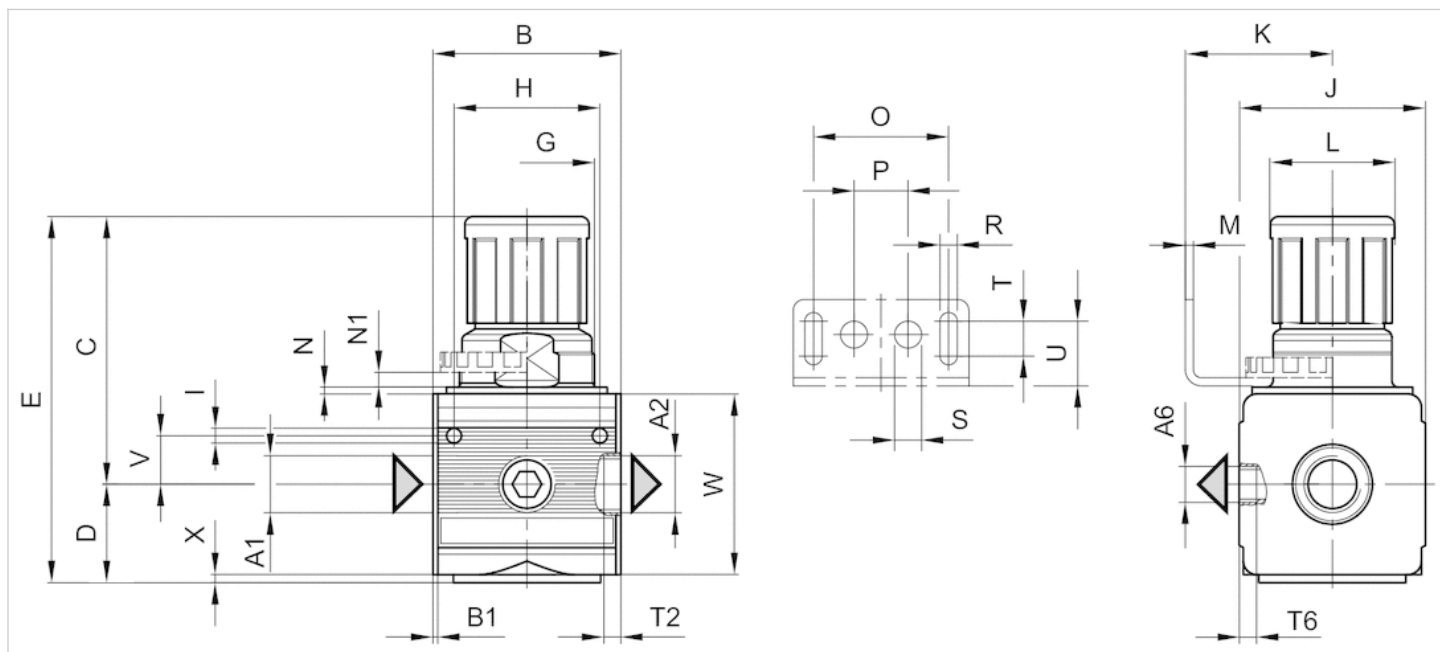
Recommended pre-filtering 5 µm

Technical information

Material	
Housing	Die cast zinc
Front plate	Acrylonitrile butadiene styrene
Seals	Acrylonitrile butadiene rubber

Dimensions

Dimensions



A1 = input
A2 = output
A6 = output

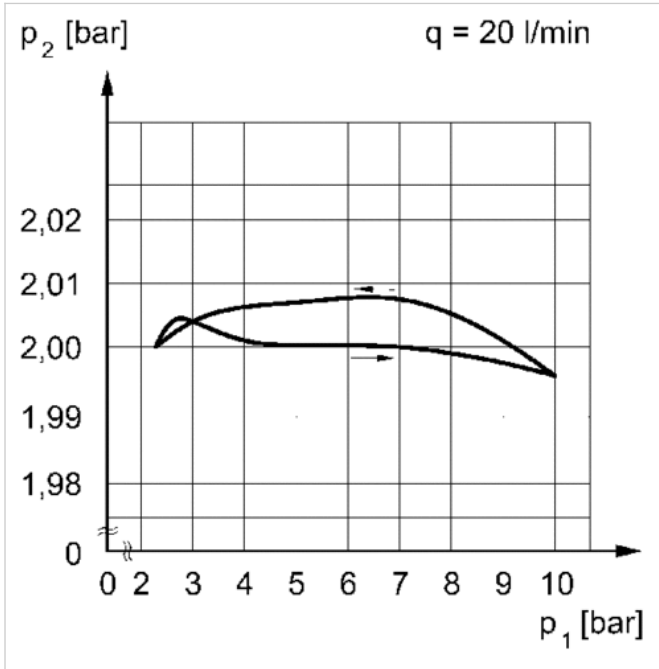
Dimensions in mm

A1	A2	A6	B	B1	C	D	E	G	H	I	J	K	L	M	N	N1	O	P	R	S	T	T2
G 1/2	G 1/2	G 1/2	69.6	1.8	97	35.5	132.5	M50x1,5	54	5.5	69	54.5	46	3	3	5.5	50	20	6.4	10	13	13
G 1/2	G 1/2	G 1/2	69.6	1.8	97	35.5	132.5	M50x1,5	54	5.5	69	54.5	46	3	3	5.5	50	20	6.4	10	13	13

T6	U	V	W	X
7	24	18	67	2
7	24	18	67	2

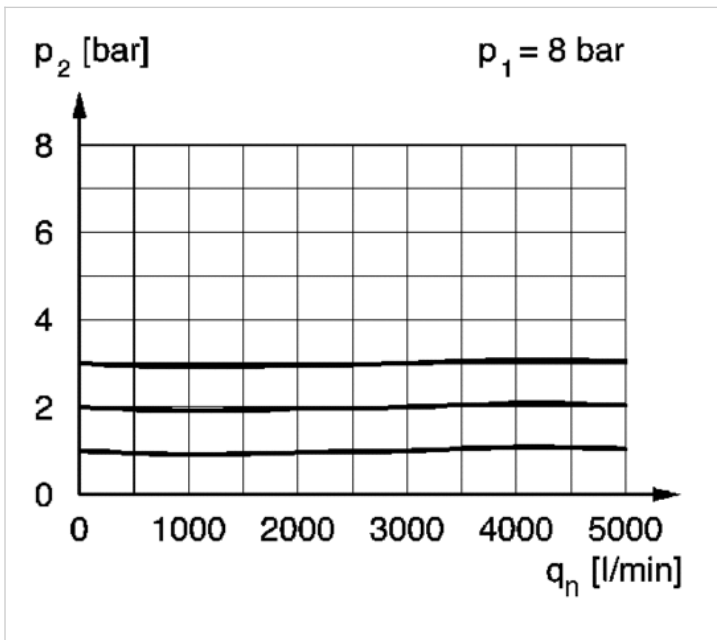
Diagrams

Pressure characteristics curve



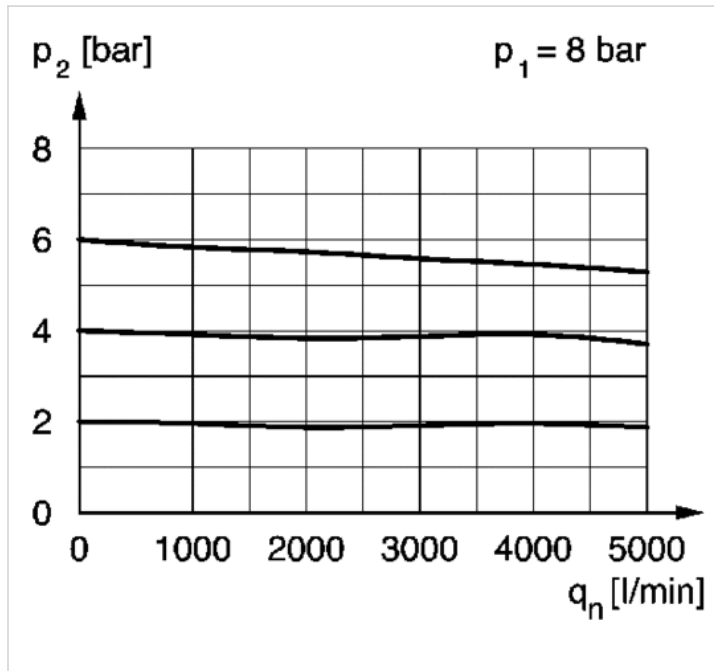
p_1 = working pressure p_2 = secondary pressure q = flow rate

Flow rate characteristic



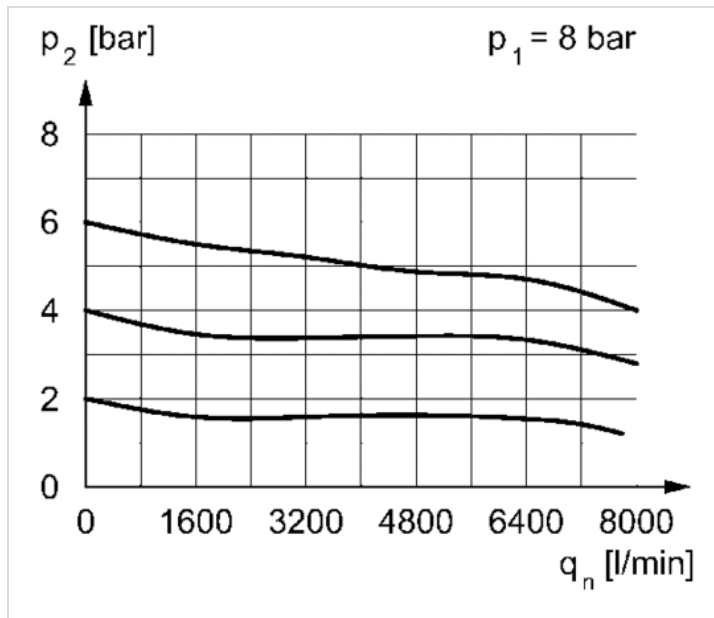
p_1 = Working pressure p_2 = Secondary pressure q_n = Nominal flow
 $p_2 = 0,1 - 3$ bar

Flow rate characteristic



p1 = Working pressure
p2 = Secondary pressure
qn = Nominal flow
p2 = 0,2 - 6 bar

Flow rate characteristic



p1 = Working pressure
p2 = Secondary pressure
qn = Nominal flow
p2 = 0,5 - 10 bar