

Pre-filter, Series NL6-FLP

- G 1

- filter porosity 0,3 μm

- suitable for ATEX



Version	Pre-filter, Can be assembled into blocks
Parts	Pre-filter
Mounting orientation	vertical
Certificates	suitable for ATEX
Working pressure min./max.	1,5 ... 16 bar
Ambient temperature min./max.	-10 ... 60 °C
Medium temperature min./max.	-10 ... 60 °C
Medium	Compressed air Neutral gases
Filter reservoir volume	150 cm ³
Filter element	exchangeable
filter porosity	0,3 μm
Condensate drain	fully automatic, open without pressure
Weight	See table

Technical data

Part No.	Port	Qn	Weight
0821303818	G 3/4	1600 l/min	1,66 kg
0821303816	G 1	1600 l/min	1,97 kg

Technical information

Mounting: mounting bracket 1821336017 / block assembly kit 1827009593

The pressure dew point must be at least 15 °C under ambient and medium temperature and may not exceed 3 °C .

Suitable for use in Ex zones 1, 2, 21, 22

Note: Polycarbonate reservoirs are susceptible to solvents, supplementary information can be found at "Customer information".

A change in the flow direction (from air supply on the left to air supply on the right) occurs by rotating installation by 180° about the vertical axis. Please see the operating instructions for further details.

Recommended pre-filtering 5 μm

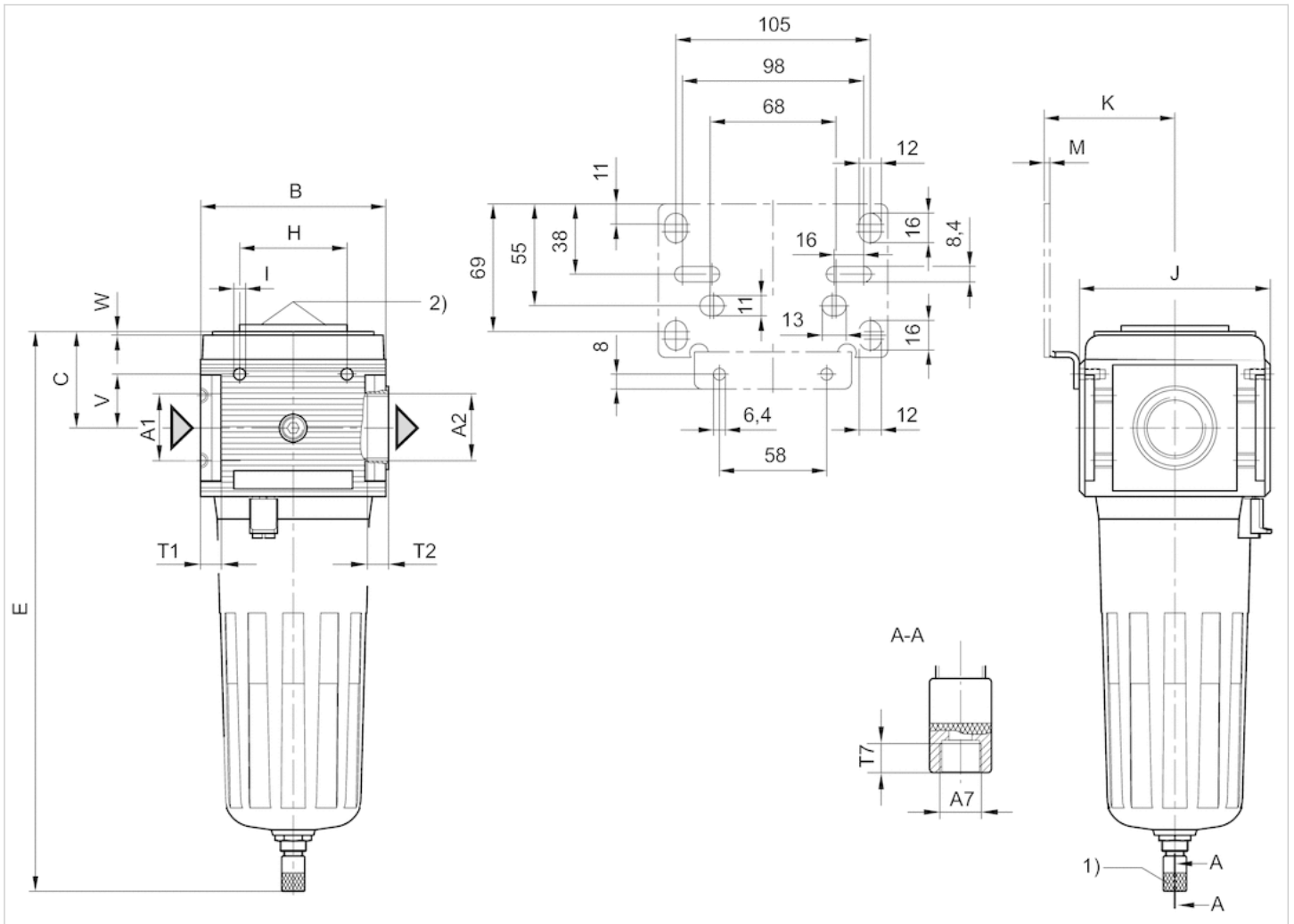
Max. achievable compressed air class acc. to ISO 8573-1:2010 2 : - : 3

Technical information

Material	
Housing	Die cast zinc
Front plate	Acrylonitrile butadiene styrene
Seals	Acrylonitrile butadiene rubber
Reservoir	Die cast zinc
Filter insert	Impregnated paper

Dimensions

Dimensions



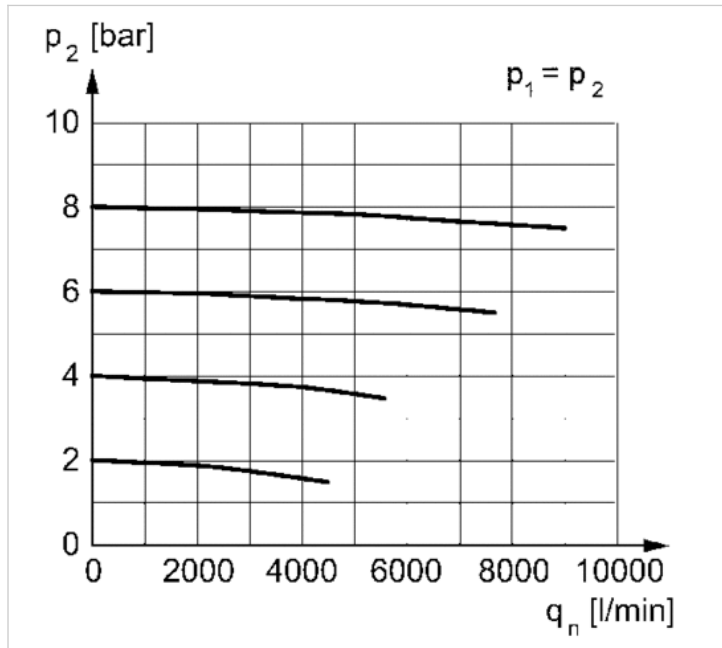
- A1 = input A2 = output
- A7 = condensate drain
- 1) Fully automatic condensate drain
- 2) Differential pressure gauge connection

Dimensions in mm

A1	A2	A7	B	C	E	H	I	J	K	M	T1	T2	T7	V	W
G 3/4	G 3/4	G 1/8	100	52	301	58	M6	103	70.5	3	16	16	8.5	29	5
G 1	G 1	G 1/8	100	52	401	58	M6	103	70.5	3	16	16	8.5	29	5

Diagrams

Flow rate characteristic 0821303818



p_2 = secondary pressure q_n = nominal flow

Flow rate characteristic 0821303816

