

Active carbon filter, Series NL6-FLA

- G 1

- suitable for ATEX



Version	Active carbon filter, Can be assembled into blocks
Parts	Active carbon filter
Mounting orientation	vertical
Certificates	suitable for ATEX
Working pressure min./max.	0,5 ... 16 bar
Ambient temperature min./max.	-10 ... 60 °C
Medium temperature min./max.	-10 ... 60 °C
Medium	Compressed air Neutral gases
Filter reservoir volume	130 cm ³
Filter element	exchangeable
Weight	See table

Technical data

Part No.	Port	Qn	Weight
0821303817	G 3/4	4000 l/min	1,62 kg
0821303815	G 1	5500 l/min	1,92 kg

Technical information

The pressure dew point must be at least 15 °C under ambient and medium temperature and may not exceed 3 °C .

Suitable for use in Ex zones 1, 2, 21, 22

A change in the flow direction (from air supply on the left to air supply on the right) occurs by rotating installation by 180° about the vertical axis. Please see the operating instructions for further details.

Recommended pre-filtering 0,01 µm

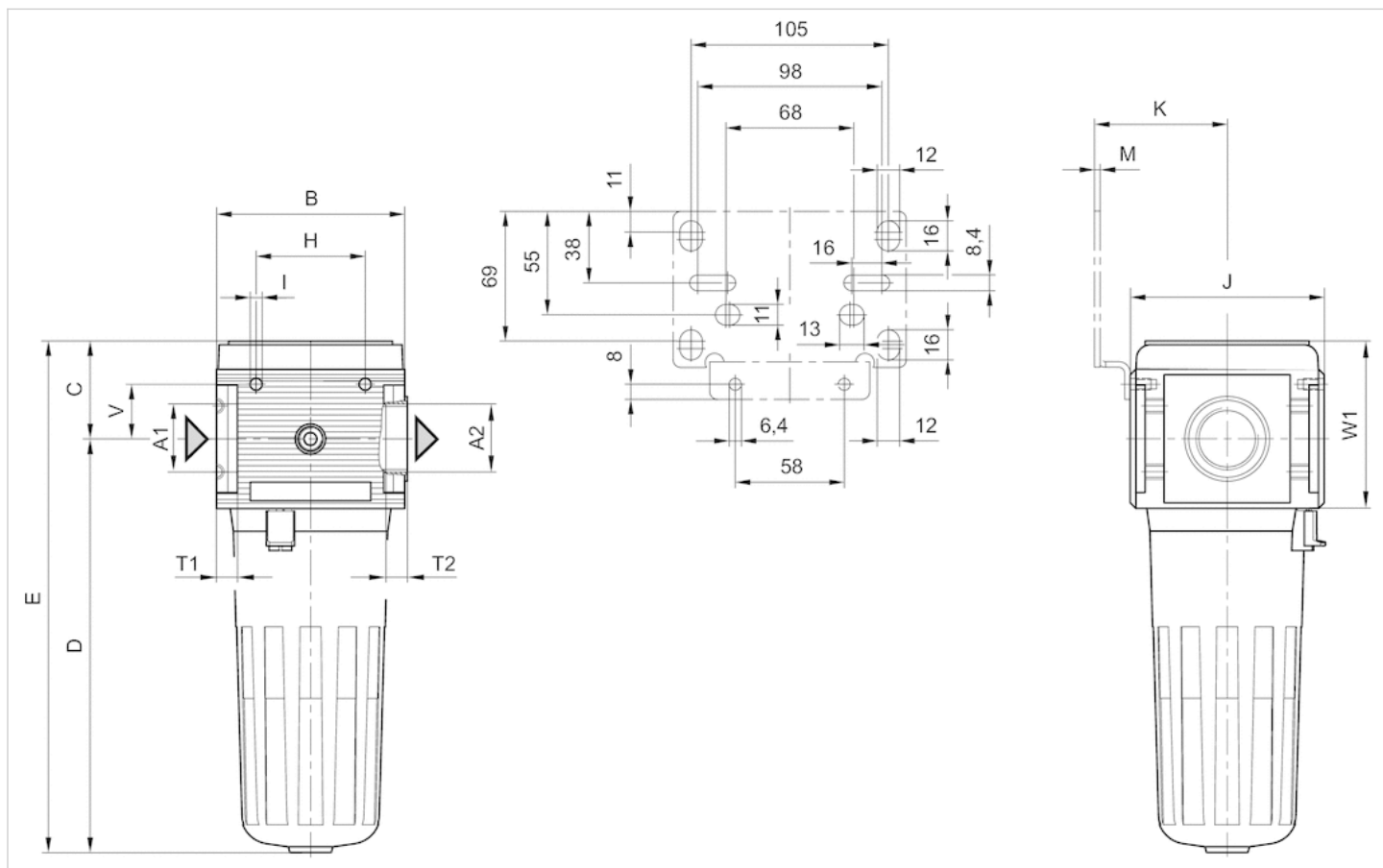
Max. achievable compressed air class acc. to ISO 8573-1:2010 - : - : 1

Technical information

Material	
Housing	Die cast zinc
Front plate	Acrylonitrile butadiene styrene
Seals	Acrylonitrile butadiene rubber
Reservoir	Die cast zinc
Filter insert	Active carbon

Dimensions

Dimensions



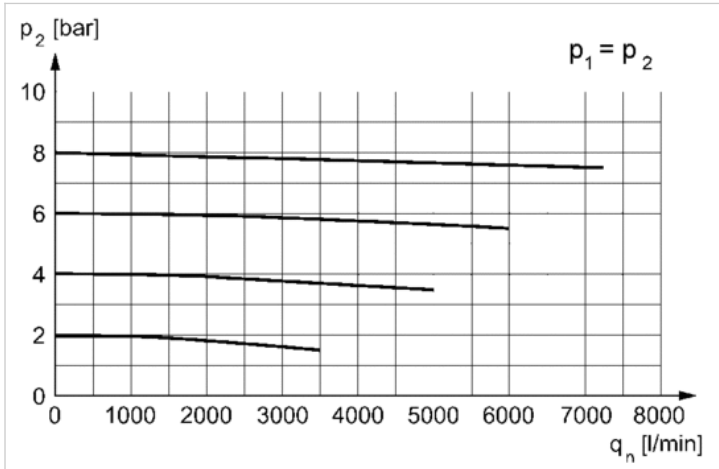
A1 = input A2 = output

Dimensions in mm

A1	A2	B	C	D	E	H	I	J	K	M	T1	T2	V	W1
G 3/4	G 3/4	100	54	223	280	58	M6	103	70.5	3	16	16	29	89
G 1	G 1	100	54	323	380	58	M6	103	70.5	3	16	16	29	89

Diagrams

Flow rate characteristic



p_2 = secondary pressure
 q_n = nominal flow