

Distributor, Series NL6-DIL

- G 1
- Distributor 2x
- Narrow distributor
- suitable for ATEX



Version	Narrow distributor, Can be assembled into blocks
Parts	Distributor
Mounting orientation	Any
Certificates	suitable for ATEX
Working pressure min./max.	0 ... 16 bar
Ambient temperature min./max.	-10 ... 60 °C
Medium temperature min./max.	-10 ... 60 °C
Medium	Compressed air Neutral gases
Weight	0,95 kg

Technical data

Part No.	Port	Nominal flow		
		Qn 1►2	Qn 1►3	Qn 1►5
0821300978	G 1	25000 l/min	10000 l/min	10000 l/min

Technical information

Suitable for direct mounting of a PE1 and PM1 series pressure sensor (flange version)

Suitable for use in Ex zones 1, 2, 21, 22

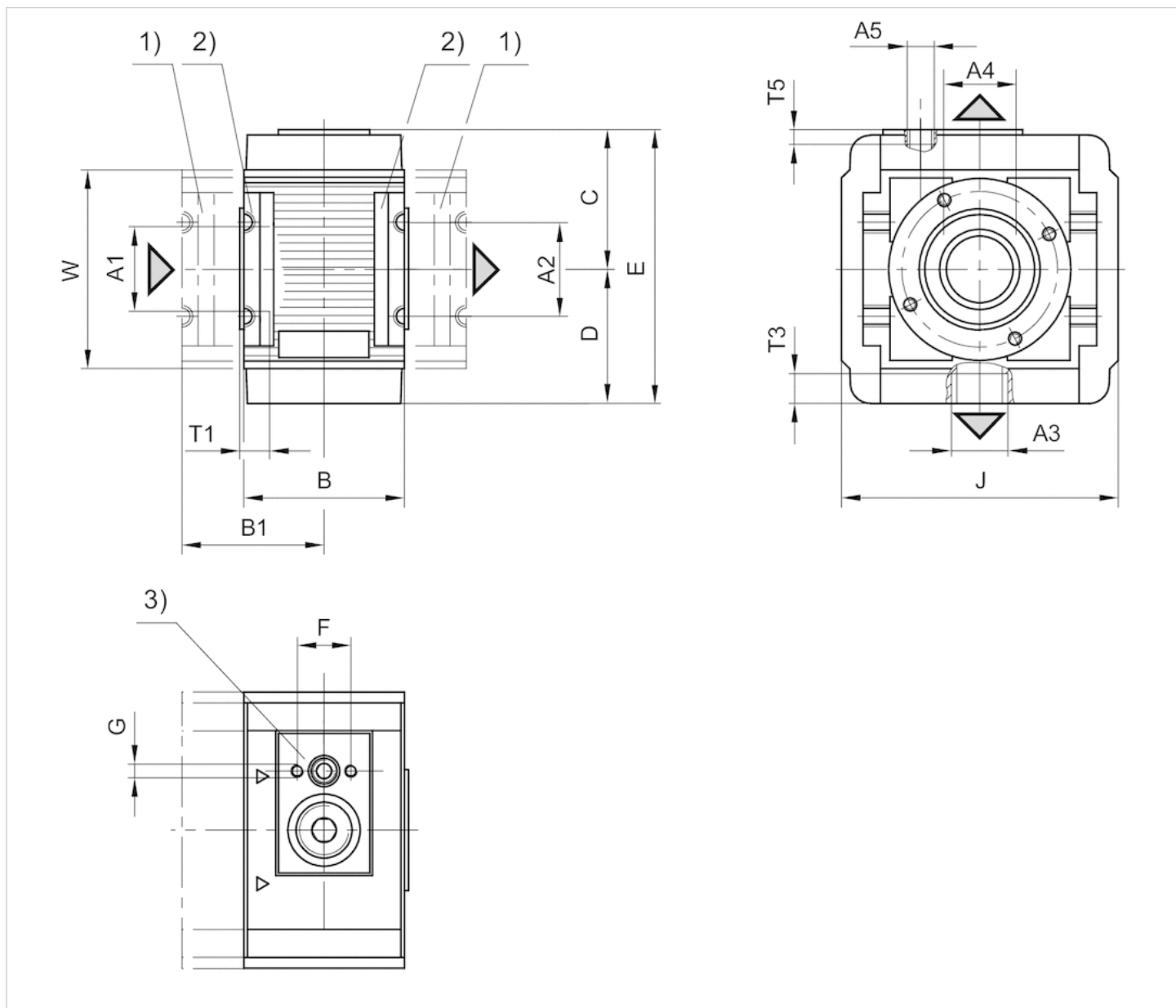
A change in the flow direction (from air supply on the left to air supply on the right) occurs by rotating installation by 180° about the vertical axis. Please see the operating instructions for further details.

Technical information

Material	
Housing	Die-cast aluminum

Dimensions

Dimensions



A1 = input A2 = output A3 = output

A4 = output

1) Subbase G1, material number 1827009591, must be ordered separately.

2) No connection thread

3) hole pattern for mechanical vacuum/pressure switch

Block assembly with block assembly kit, material number 1827009593

Dimensions in mm

A1	A2	A3	A4	A5	B	B1	C	D	E	F	G	J	T1	T3	T5	W
G 1	G 1	G 1/2	G 1/2	G 1/8	60	53	52	50	102	20	M5	103	18	14.5	8	74