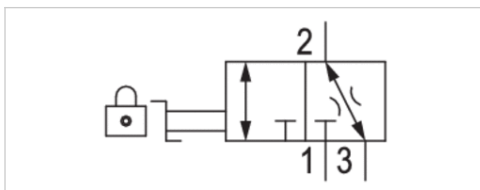


3/2-shut-off valve, mechanically operated, Series NL6-BAV

- G 3/4 G 1
- lockable
- for padlocks
- suitable for ATEX



Version	Ball valve
Activation	Mechanical
Lock type	lockable
Actuating element	rotary switch
Sealing principle	metal/metal sealing
Certificates	suitable for ATEX
Working pressure min./max.	0 ... 16 bar
Ambient temperature min./max.	-10 ... 60 °C
Medium temperature min./max.	-10 ... 60 °C
Medium	Compressed air Neutral gases
Weight	1,83 kg



Technical data

Part No.	Version	Compressed air connection	
		Input	Output
0821300976	3/2	G 3/4	G 3/4
0821300977	3/2	G 1	G 1

Part No.	Compressed air connection		Flow	Flow	Lock type
	Exhaust				
0821300976	G 1/2		25000 l/min	110 l/min	for padlocks
0821300977	G 1/2		25000 l/min	110 l/min	for padlocks

Nominal flow Qn with secondary pressure p2 = 6 bar at Δp = 1 bar

Suitable for use in Ex zones 1, 2, 21, 22

Technical information

The pressure dew point must be at least 15 °C under ambient and medium temperature and may not exceed 3 °C .

Suitable for use in Ex zones 1, 2, 21, 22

Subbase (G3/4 = 1827009590; G1 = 1827009591) with block assembly kit (1827009593) is required to connect with the piping on the right.

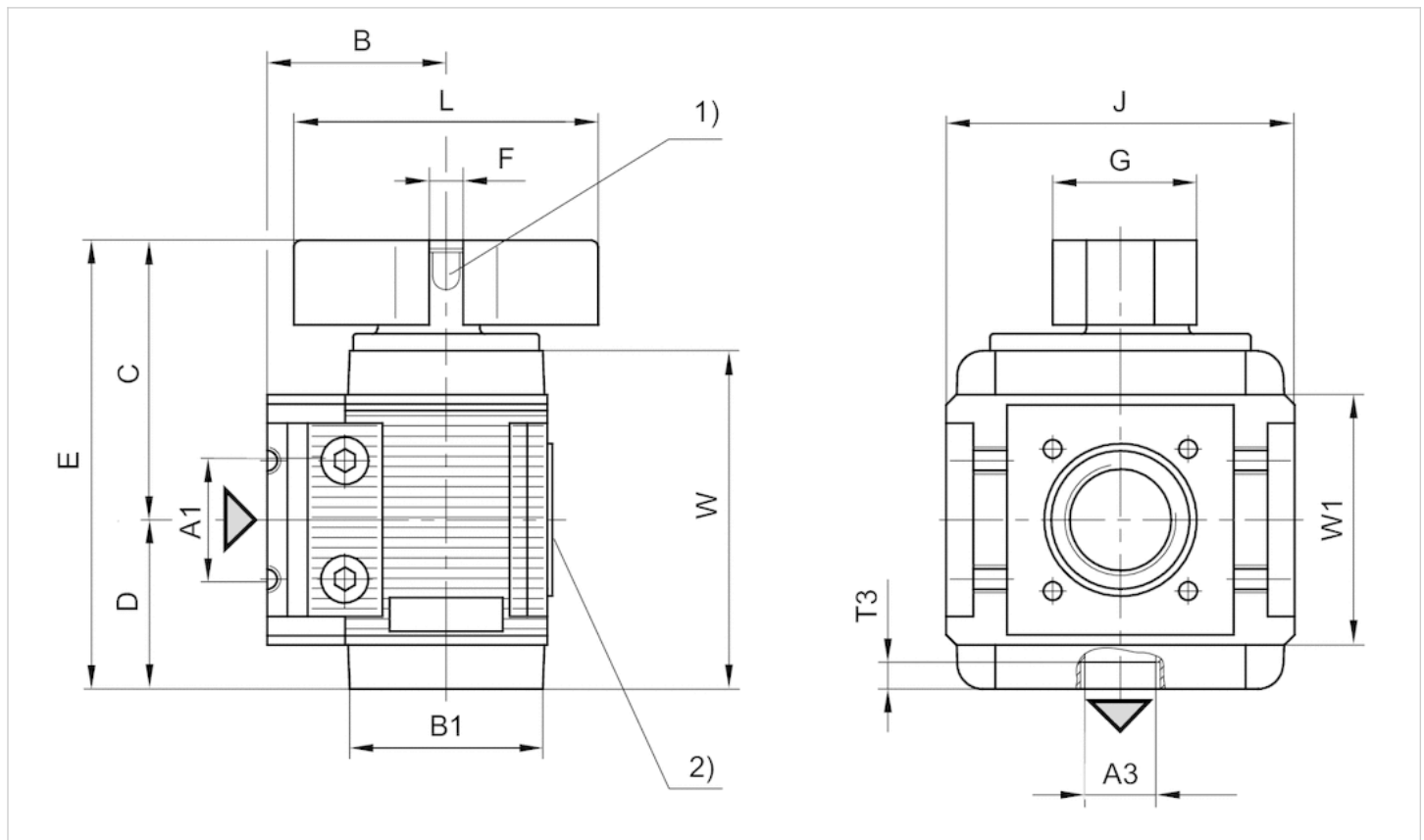
A change in the flow direction (from air supply on the left to air supply on the right) occurs by rotating installation by 180° about the vertical axis. Please see the operating instructions for further details.

Technical information

Material	
Housing	Die-cast aluminum
Front plate	Acrylonitrile butadiene styrene
Seals	Acrylonitrile butadiene rubber
Actuating element	Polyoxymethylene

Dimensions

Dimensions



A1 = input A2 = output
A3 = ventilation port
1) lockable with padlock 2) no connection thread

Dimensions in mm

A3	B	B1	C	D	E	F	G	J	L	T3	W	W1
G 1/2	53	60	82.5	50	132.5	8	42.5	103	90	14.5	100	74