

# 3/2-directional valve, pneumatically operated, Series NL6-SOV

- Compressed air connection G 3/4
- Pipe connection
- suitable for ATEX



Version	Poppet valve, Can be assembled into blocks
Sealing principle	Soft sealing
Certificates	suitable for ATEX
Working pressure min./max.	0 ... 16 bar
Control pressure min./max.	2,5 ... 16 bar
Ambient temperature min./max.	-10 ... 60 °C
Medium temperature min./max.	-10 ... 60 °C
Medium	Compressed air Neutral gases
Max. particle size	5 µm
Weight	1,44 kg

## Technical data

Part No.	Port	Exhaust	Flow	
			Qn 1→2	Qn 2→3
0821300988	G 3/4	G 1/2	12500 l/min	3900 l/min
0821300989	G 1	G 1/2	12500 l/min	3900 l/min

## Technical information

The pressure dew point must be at least 15 °C under ambient and medium temperature and may not exceed 3 °C .

Suitable for use in Ex zones 1, 2, 21, 22

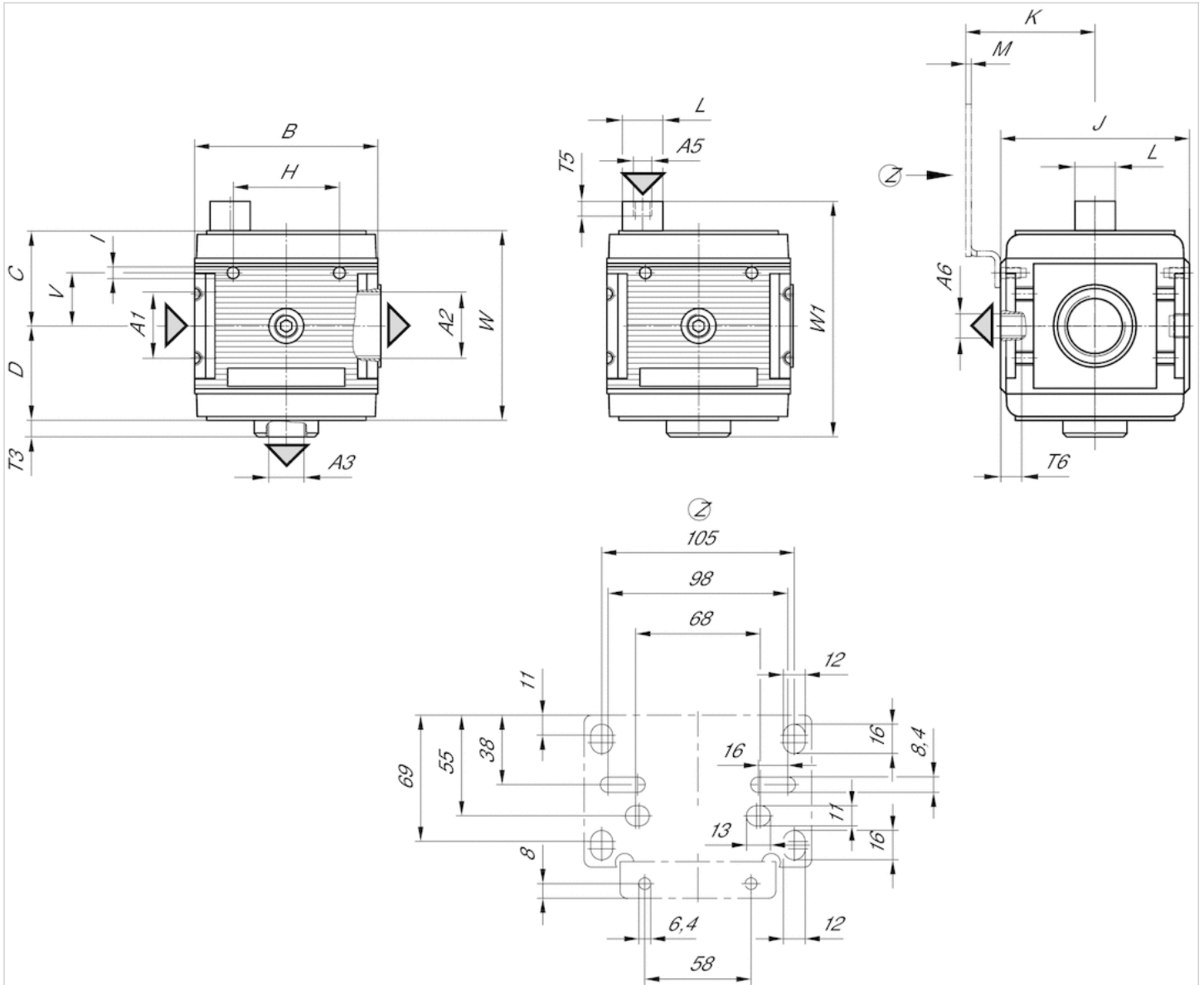
A change in the flow direction (from air supply on the left to air supply on the right) occurs by rotating installation by 180° about the vertical axis. Please see the operating instructions for further details.

## Technical information

Material	
Housing	Die-cast aluminum
Front plate	Acrylonitrile butadiene styrene
Seals	Acrylonitrile butadiene rubber

# Dimensions

## Dimensions



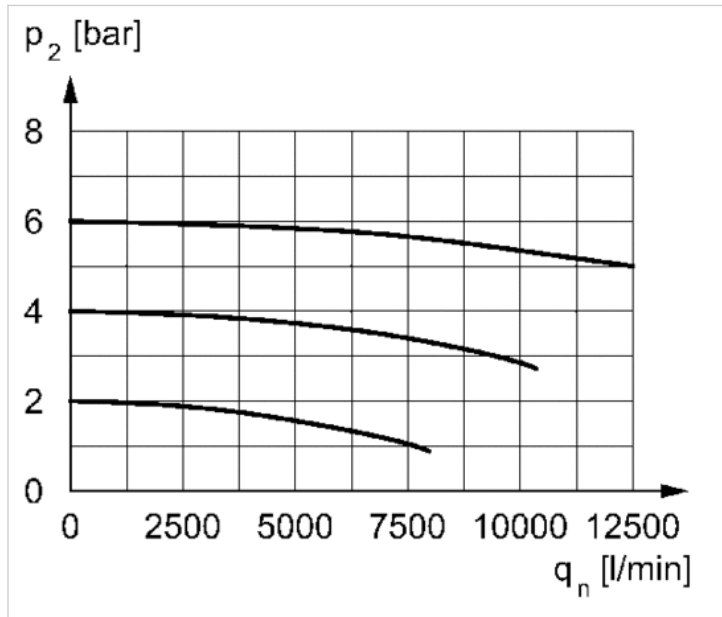
- A1 = input
- A2 = output
- A3 = ventilation port
- A5 = control pressure connection
- A6 = output

## Dimensions in mm

A1	A2	A3	A5	A6	B	C	D	F	H	I	J	K	L	M	T5	T6	V	W1
G 3/4	G 3/4	G 1/2	G 1/8	G 1/4	100	52	50.5	9.5	58	M6	103	70.5	22	3	18	7	29	128.5
G 1	G 1	G 1/2	G 1/8	G 1/4	100	52	50.5	9.5	58	M6	103	70.5	22	3	18	7	29	128.5

# Diagrams

## Flow rate characteristic



$p_2$  = secondary pressure  
 $q_n$  = nominal flow