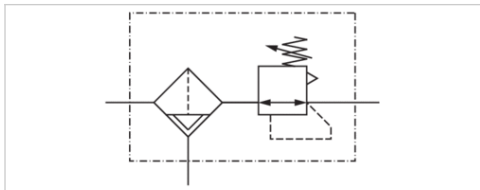


Filter pressure regulator, Series AS5-FRE

- G 3/4
- filter porosity 25 µm
- lockable
- for padlocks
- suitable for ATEX



Version	1-in-1, Can be assembled into blocks
Parts	Filter pressure regulator
Mounting orientation	vertical
Certificates	suitable for ATEX
Working pressure min./max.	1,5 ... 16 bar
Ambient temperature min./max.	-10 ... 50 °C
Medium temperature min./max.	-10 ... 50 °C
Medium	Compressed air Neutral gases
Nominal flow Qn	13000 l/min
Regulator type	Diaphragm-type pressure regulator
Regulator function	with relieving air exhaust
Adjustment range min./max.	0,5 ... 8 bar
Pressure supply	single
Filter reservoir volume	87 cm ³
Filter element	exchangeable
Condensate drain	semi-automatic, open without pressure
Max. Internal air consumption	1,5 l/min
Weight	1,57 kg

Technical data

Part No.	Port	Flow	Condensate drain
		Qn	
R412009188	G 3/4	13000 l/min	semi-automatic, open without pressure
R412009189	G 1	13000 l/min	semi-automatic, open without pressure

Technical information

The pressure dew point must be at least 15 °C under ambient and medium temperature and may not exceed 3 °C .

Note: Polycarbonate reservoirs are susceptible to solvents, supplementary information can be found at "Customer information".

Suitable for use in Ex zones 1, 2, 21, 22

A change in the flow direction (from air supply on the left to air supply on the right) occurs by rotating installation by 180° about the vertical axis. Please see the operating instructions for further details.

Also suitable for separation of fluid oil or water due to the design.

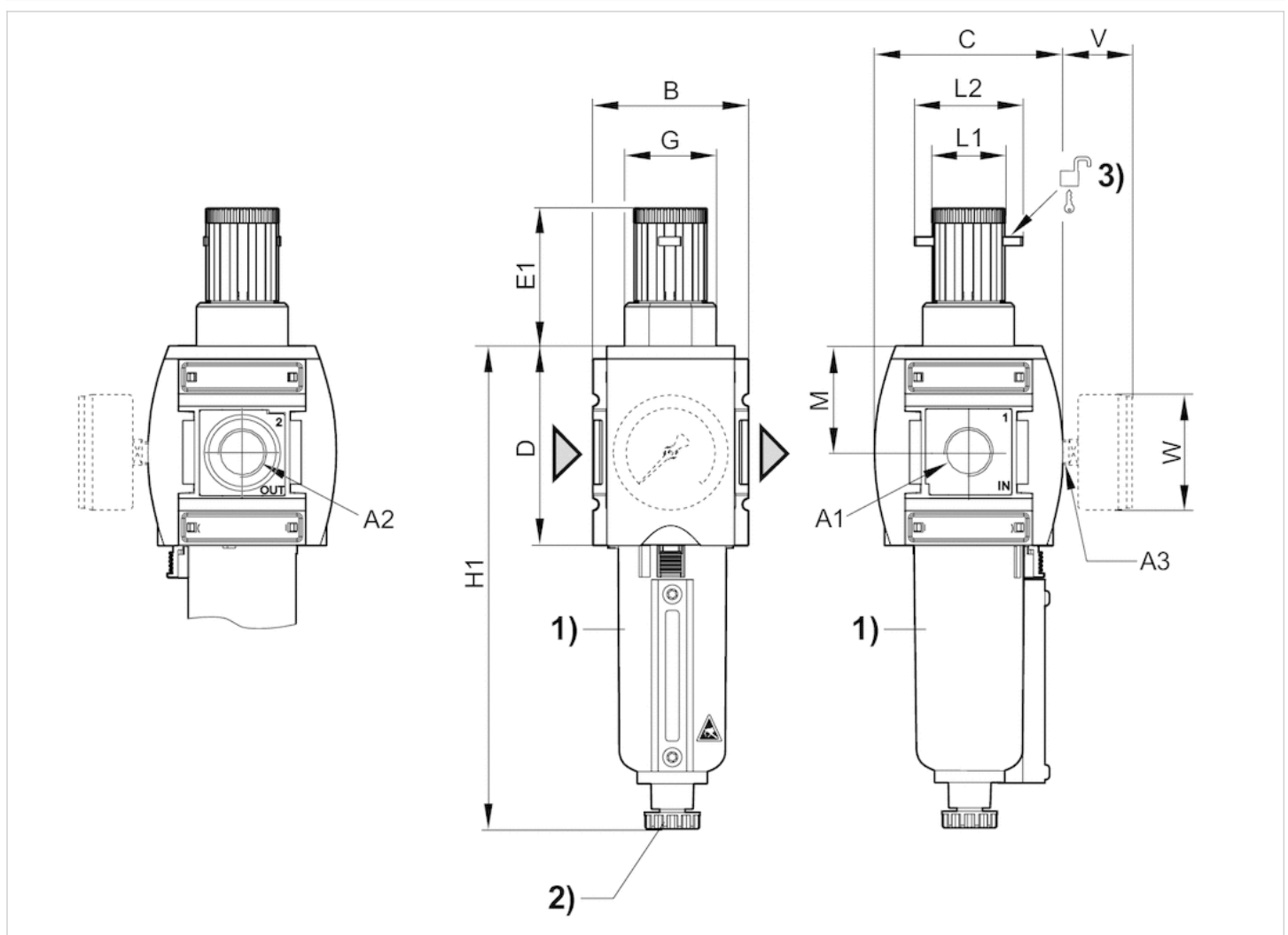
solid impurities in the compressed air at the outlet as per ISO 8573-1 class 7

Technical information

Material	
Housing	Polyamide
Front plate	Acrylonitrile butadiene styrene
Seals	Acrylonitrile butadiene rubber
Threaded bushing	Die cast zinc
Reservoir	Die cast zinc
Protective guard	Polyamide
Filter insert	Polyethylene

Dimensions

Dimensions



A1 = input A2 = output A3 = pressure gauge connection

1) Metal reservoir with level indicator

2) Semi-automatic condensate drain

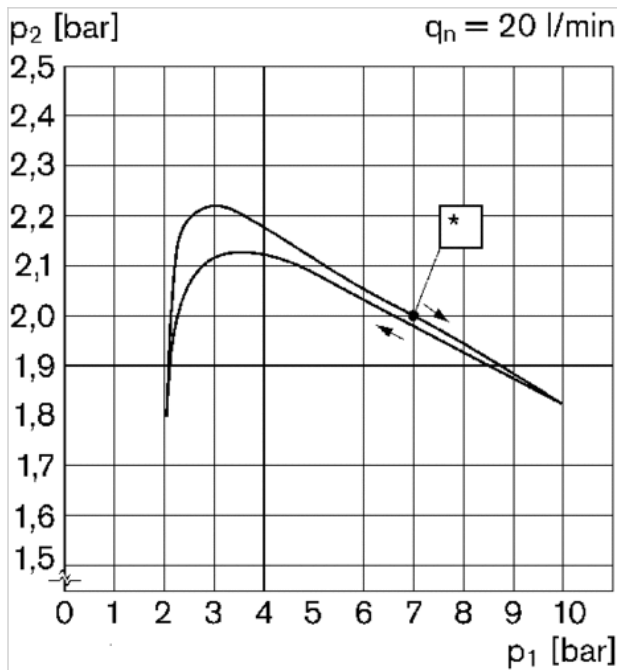
3) Mounting option for padlocks; max. shackle Ø 8

Dimensions in mm

A1	A2	A3	B	C	D	E1	G	H1	L1	L2	M	V	W
G 3/4	G 3/4	G 1/4	85	103	109	75	M50x1,5	250	41	60	58	38	63
G 1	G 1	G 1/4	85	103	109	75	M50x1,5	250	41	60	58	38	63

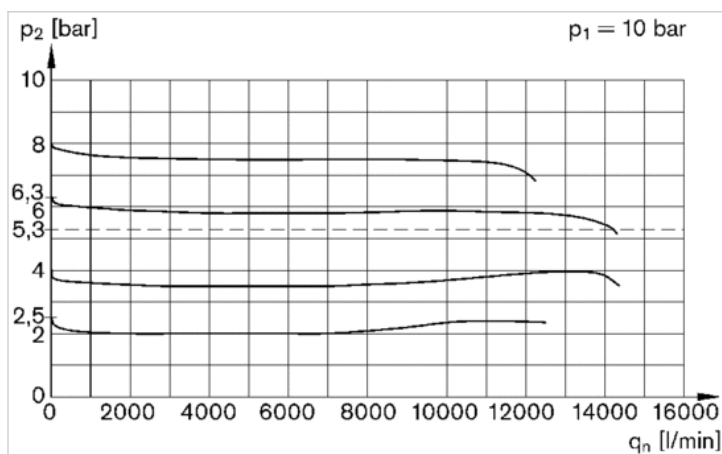
Diagrams

Pressure characteristics curve



p1 = working pressure
p2 = secondary pressure
qn = nominal flow
* starting point

Flow rate characteristic (setting range p2: 0.5 - 8 bar)



p1 = working pressure
p2 = secondary pressure
qn = nominal flow