

Filter, Series AS5-FLS

- G 3/4
- filter porosity 25 µm
- suitable for ATEX



Version	Standard filter, Can be assembled into blocks
Parts	Filter
Mounting orientation	vertical
Certificates	suitable for ATEX
Working pressure min./max.	1,5 ... 16 bar
Ambient temperature min./max.	-10 ... 50 °C
Medium temperature min./max.	-10 ... 50 °C
Medium	Compressed air Neutral gases
Filter reservoir volume	87 cm ³
Filter element	exchangeable
filter porosity	25 µm
Condensate drain	semi-automatic, open without pressure
Weight	See table

Technical data

Part No.	Port	Qn	Weight
R412009089	G 3/4	7800 l/min	1,21 kg
R412009090	G 1	7800 l/min	1,26 kg

Technical information

The pressure dew point must be at least 15 °C under ambient and medium temperature and may not exceed 3 °C .

Note: Polycarbonate reservoirs are susceptible to solvents, supplementary information can be found at "Customer information".

Suitable for use in Ex zones 1, 2, 21, 22

A change in the flow direction (from air supply on the left to air supply on the right) occurs by rotating installation by 180° about the vertical axis. Please see the operating instructions for further details.

Also suitable for separation of fluid oil or water due to the design.

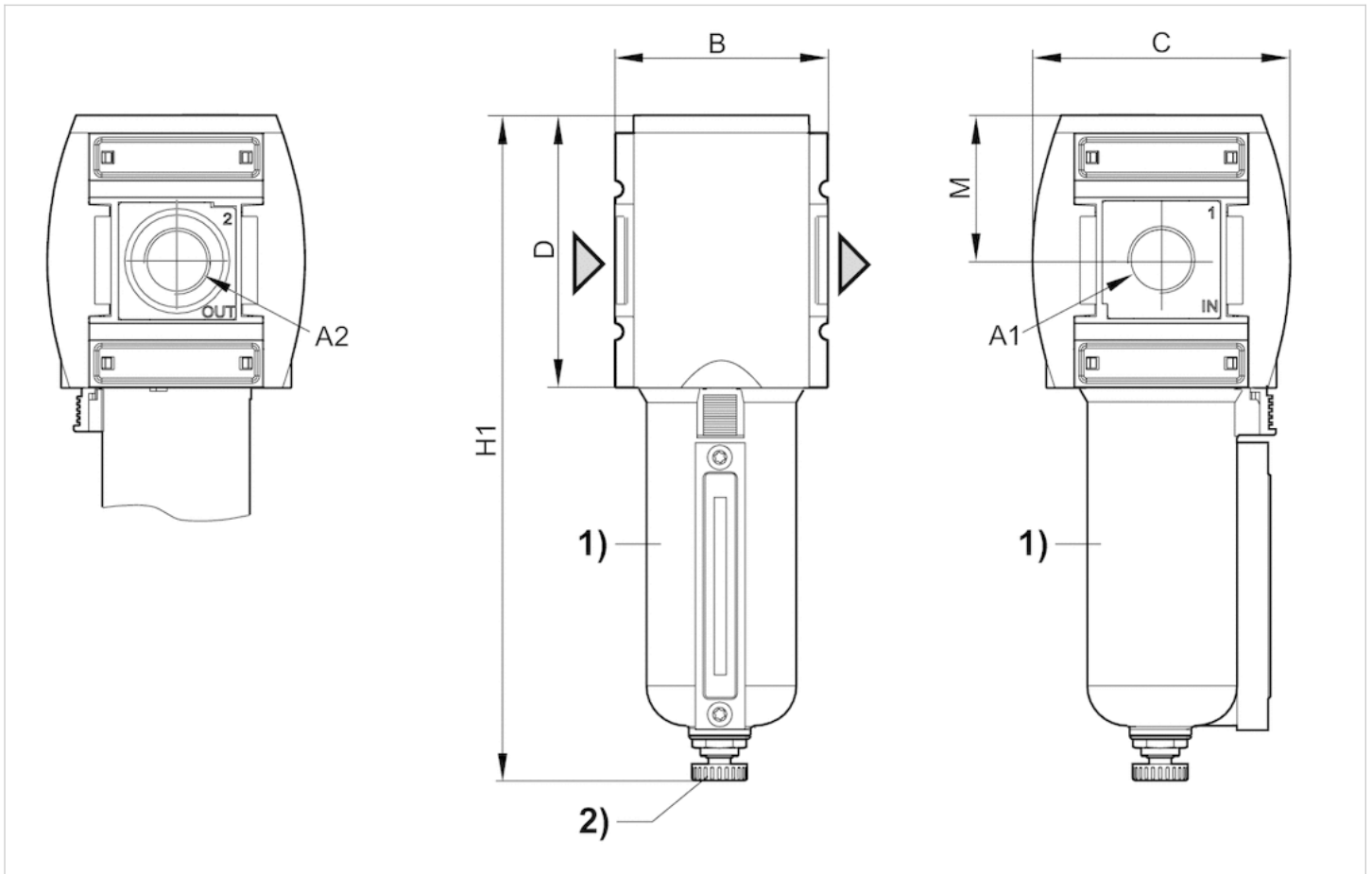
Max. achievable compressed air class acc. to ISO 8573-1:2010 7 : 7 :-

Technical information

Material	
Housing	Polyamide
Front plate	Acrylonitrile butadiene styrene
Seals	Acrylonitrile butadiene rubber
Threaded bushing	Die cast zinc
Reservoir	Die cast zinc
Filter insert	Polyethylene

Dimensions

Dimensions



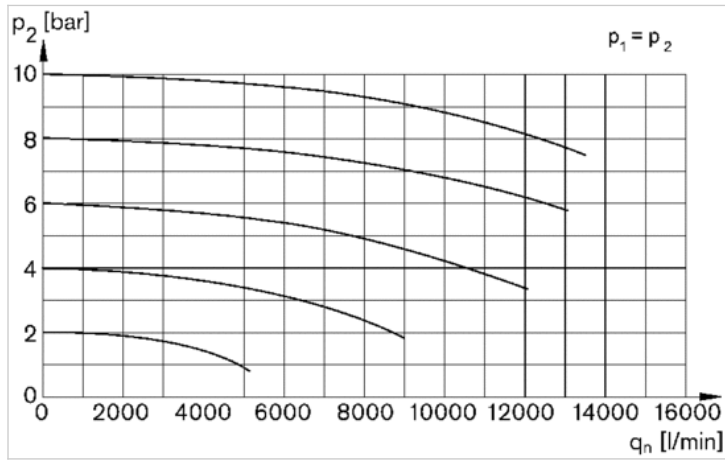
- A1 = input A2 = output
- 1) Metal reservoir with level indicator
- 2) Semi-automatic condensate drain

Dimensions in mm

A1	A2	B	C	D	H1	M
G 3/4	G 3/4	85	103	109	250	58
G 1	G 1	85	103	109	250	58

Diagrams

Flow rate characteristic



p_1 = Working pressure p_2 = Secondary pressure q_n = Nominal flow