

Filling valve, electrically operated, series AS5-SSV

- adjustable filling time and change-over pressure, Electr. connection: valve plug connector M12x1
- Compressed air connection G 3/4



Version	Poppet valve with elect. priority circuit, Can be assembled into blocks
Sealing principle	Soft sealing
Working pressure min./max.	2,5 ... 10 bar
Ambient temperature min./max.	-10 ... 50 °C
Medium temperature min./max.	-10 ... 50 °C
Medium	Compressed air Neutral gases
Max. particle size	25 µm
Duty cycle	100 %
Protection class according to EN 60529:2000, without electrical connector	IP65
Weight	0,43 kg

Technical data

Part No.	Port	Flow	
		Qn	
R412009373	G 3/4	10000 l/min	
R412009374	G 1	10000 l/min	

Technical information

The pressure dew point must be at least 15 °C under ambient and medium temperature and may not exceed 3 °C .

Builds up pressure slowly in the pneumatic systems, i.e. prevents a sudden pressure build-up during a restart after a mains pressure failure or avoids emergency OFF switching. This also avoids dangerous, jerky cylinder movements.

Actuating the electric priority circuit disrupts the slow pressure build-up and pressure p1 is immediately applied.

Do not position filling valves or filling units upstream of open consumers, such as nozzles, air barriers, air curtains, since these may prevent through connection of components.

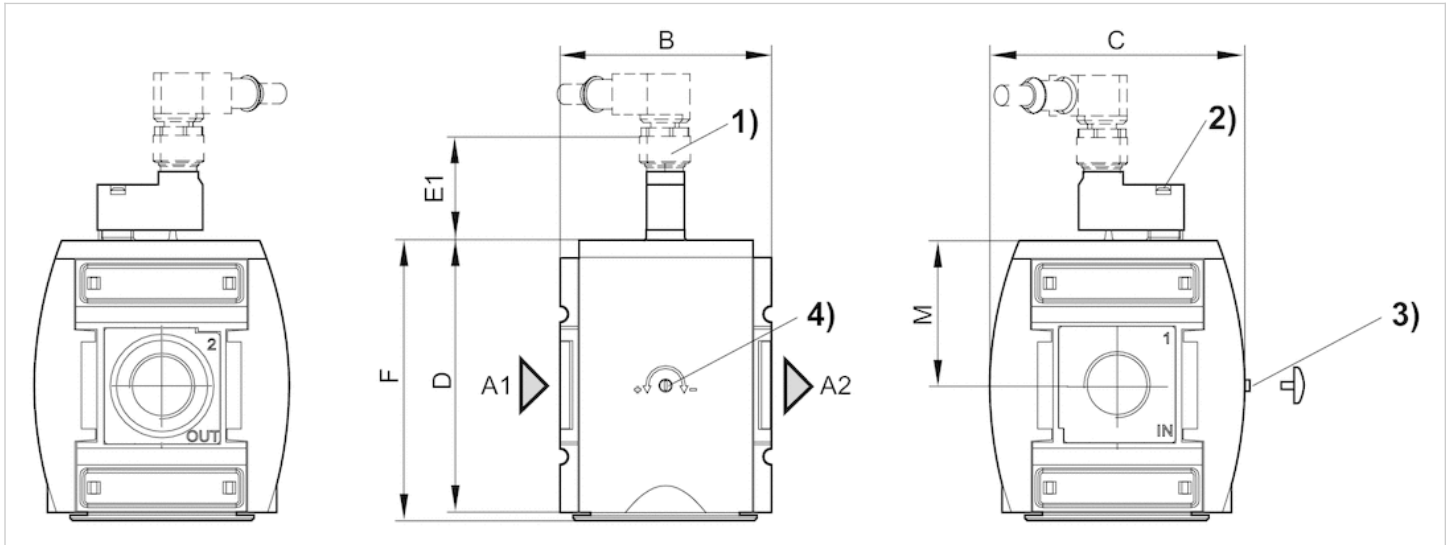
A change in the flow direction (from air supply on the left to air supply on the right) occurs by rotating installation by 180° about the vertical axis. Please see the operating instructions for further details.

Technical information

Material	
Housing	Polyamide
Front plate	Acrylonitrile butadiene styrene
Seals	Acrylonitrile butadiene rubber
Threaded bushing	Die cast zinc

Dimensions

Dimensions



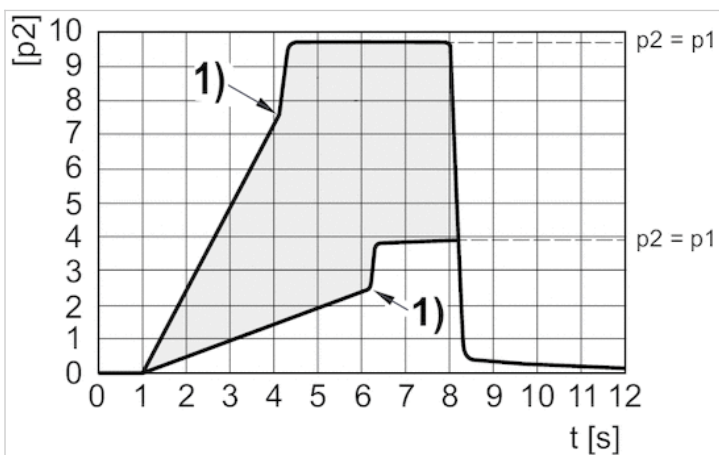
- A1 = input
- A2 = output
- 1) plug M12
- 2) Manual override
- 3) Adjustment screw for filling time
- 4) Adjustment screw lock

Dimensions in mm

A1	A2	B	C	D	E1	F	M
G 3/4	G 3/4	85	103	109	39	112	58
G 1	G 1	85	103	109	39	112	58

Diagrams

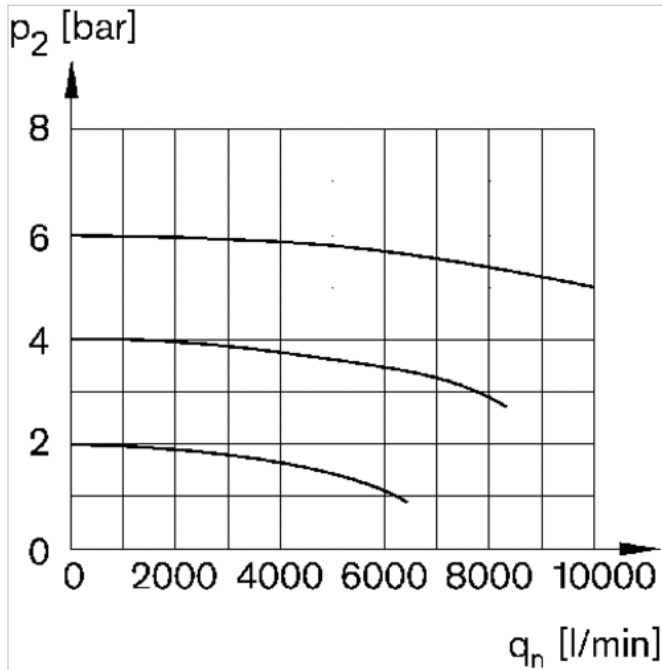
Secondary pressure while filling



- p1 = working pressure
- p2 = secondary pressure
- t = filling time, adjustable via adjustment screw (throttle)
- Change-over pressure individually adjustable via electrical signal

1) Switching point: adjustable filling time and change-over pressure

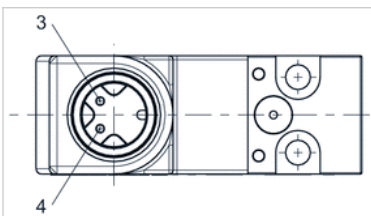
Flow rate characteristic



p_2 = secondary pressure
 q_n = nominal flow

Pin assignments

Pin assignment M12x1



3: +/-

4: +/-