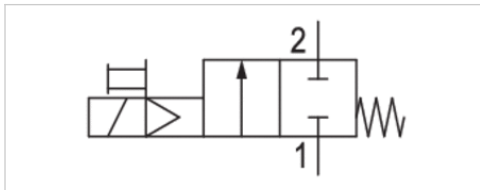


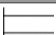
2/2-directional valve, electrically operated, Series AS5-SOV

- Compressed air connection G 1
- Pipe connection
- NC
- Electrical connection: Plug, ISO 15217, form C



Version	Poppet valve, Can be assembled into blocks
Parts	2/2-directional valve, electrically operated
Nominal flow	12500 l/min
Working pressure min./max.	3 ... 10 bar
Medium	Compressed air Neutral gases
Medium temperature min./max.	-10 ... 50 °C
Ambient temperature min./max.	-10 ... 50 °C
Sealing principle	Soft sealing
Max. particle size	25 µm
Connector standard	ISO 15217
Protection class acc. to DIN EN 61140 with plug	IP65
Duty cycle	100 %
Weight	1,14 kg

Technical data

Part No.		Compressed air connection input	Compressed air connection output	Operationalvoltage
				DC
R412009301		G 1	G 1	24 V

Part No.	Power consumption	Electrical connection	basic valve with electrical connector
	DC	Pilot valve	
R412009301	2 W	Plug, ISO 15217, form C	Basic valve with pilot valve

Part No.	Reverse polarity protection
R412009301	Protected against polarity reversal

Nominal flow Q_n with secondary pressure $p_2 = 6$ bar at $\Delta p = 1$ bar, MO = Manual override

Technical information

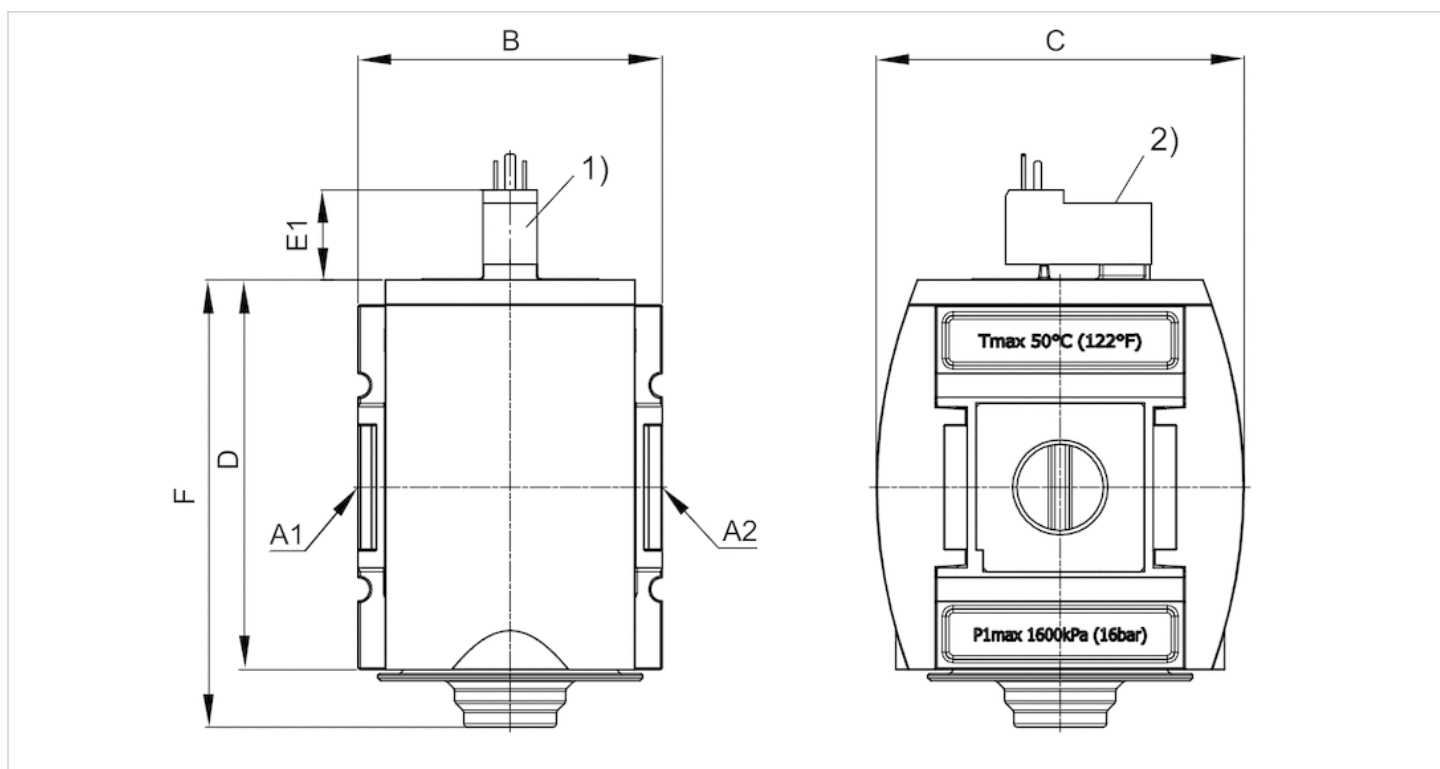
The pressure dew point must be at least 15 °C under ambient and medium temperature and may not exceed 3 °C .
A change in the flow direction (from air supply on the left to air supply on the right) occurs by rotating installation by 180° about the vertical axis. Please see the operating instructions for further details.

Technical information

Material	
Housing	Polyamide
Front plate	Acrylonitrile butadiene styrene
Seals	Acrylonitrile butadiene rubber
Threaded bushing	Die cast zinc

Dimensions

Dimensions



A1 = input A2 = output

1) Connection for valve plug connector according to ISO 15217 (form C)

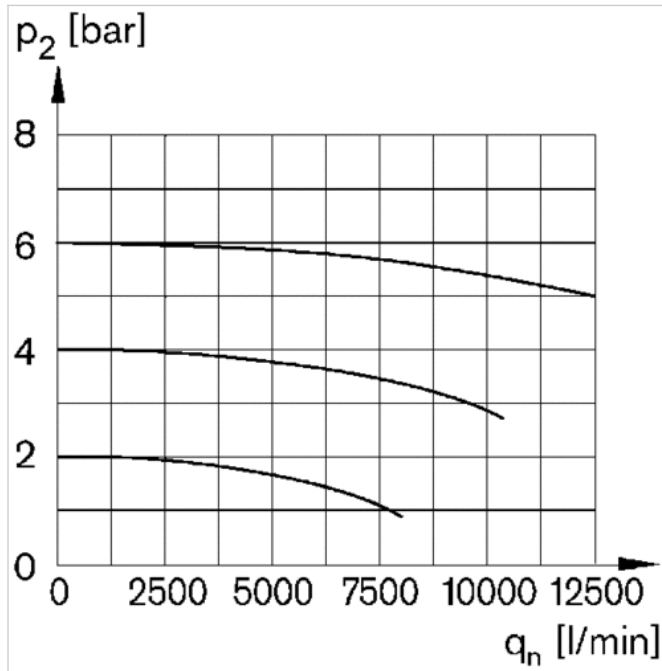
2) Manual override

Dimensions in mm

A1	A2	B	C	D	E1	F
G 1	G 1	85	103	109	25.1	125

Diagrams

Flow rate characteristic 1 2



p_2 = secondary pressure
 q_n = nominal flow