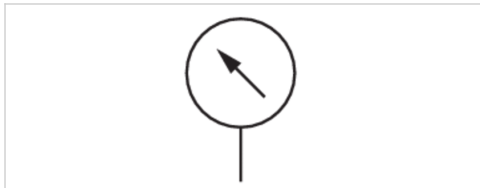


# Pressure gauge, Series PG1-DIM

- for differential pressure measurement for prefilters and microfilters
- flange version
- Background color White
- Scale color Black
- Viewing window Polystyrene
- Units bar
- suitable for ATEX



Version	Diaphragm pressure gauge
Mounting orientation	vertical
Ambient temperature min./max.	0 ... 60 °C
Medium	Compressed air
Color for differential pressure range	Green Red
Main scale unit (outside)	bar
Main scale color (outside)	Black
Background color	White
Pointer color	Black
Weight	0,127 kg



## Technical data

Part No.	Range of application	Display range	Operating pressure	Scale value
1827231072	0 ... 0,5 bar	0 ... 0,5 bar	0 ... 16 bar	0,1

Suitable for use in Ex zones 1, 2, 21, 22

## Technical information

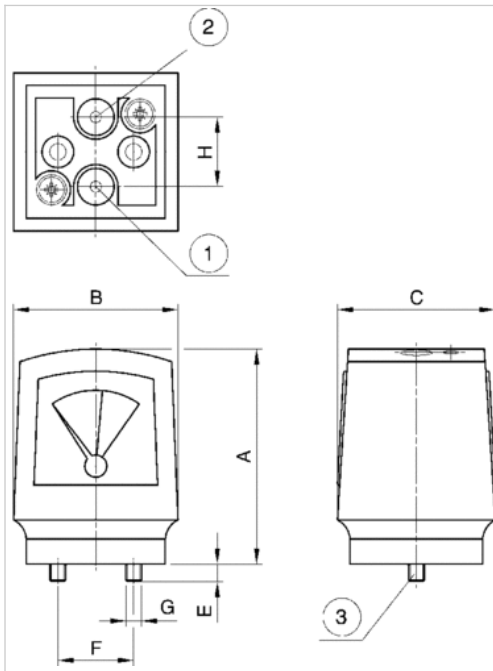
Suitable for use in Ex zones 1, 2, 21, 22

## Technical information

Material	
Housing	Polyamide, fiber-glass reinforced
Viewing window	Polystyrene
Seal	Acrylonitrile butadiene styrene

## Dimensions

### Dimensions



- 1) Input pressure p1 2) Output pressure p2
- 3) Mounting screw and 2 O-rings included in scope of delivery

### Dimensions in mm

A	B	C	E	F	G	H
68	52	50	6	24	M5	22