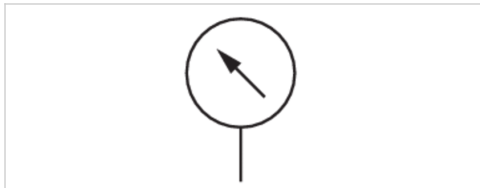


Pressure gauge, Series PG1-GLY

- Back port
- with glycerin filling
- Background color White
- Scale color Black, Black
- Viewing window Polystyrene
- Units bar
- Units psi



Version	Bourdon tube pressure gauge
Version	with glycerin filling
Seal	Axial
Standardization	EN 837-1
Class	1,6
Ambient temperature min./max.	-25 ... 60 °C
Medium	Compressed air
Main scale unit (outside)	bar
Main scale color (outside)	Black
Secondary scale unit (inside)	psi
Secondary scale color (inside)	Black
Background color	White
Pointer color	Black
Weight	0,26 kg

Technical data

Part No.	Compressed air connection	Nominal diameter	Range of application	Display range	Operating pressure	Scale value	
R412010126	R 1/8	63 mm	0 ... 3	0 ... 4	0 ... 4 bar	0,2	-
R412010127	R 1/8	63 mm	0 ... 4	0 ... 6	0 ... 6 bar	0,2	-
R412010128	R 1/8	63 mm	0 ... 8	0 ... 10	0 ... 10 bar	0,5	-
R412010129	R 1/8	63 mm	0 ... 12	0 ... 16	0 ... 16 bar	0,5	-
R412010130	R 1/8	63 mm	0 ... 12	0 ... 16	0 ... 16 bar	0,5	1)
R412010131	G 1/4	63 mm	0 ... 3	0 ... 4	0 ... 4 bar	0,2	-
R412010132	G 1/4	63 mm	0 ... 4	0 ... 6	0 ... 6 bar	0,2	-
R412010133	G 1/4	63 mm	0 ... 8	0 ... 10	0 ... 10 bar	0,5	-
R412010134	G 1/4	63 mm	0 ... 12	0 ... 16	0 ... 16 bar	0,5	-

Order retainer ring 3530132602 for control panel installation separately.

1) Red marking at 5 bar

Technical information

Order axial seal separately

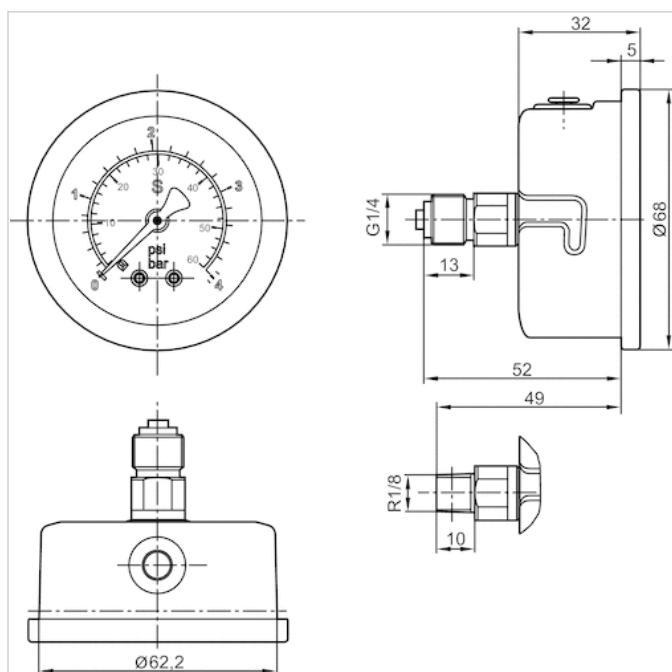
Technical information

Material

Housing	Stainless steel
Thread	Brass
Viewing window	Polystyrene

Dimensions

Dimensions in mm



Order retainer ring 3530132602 for control panel installation separately.