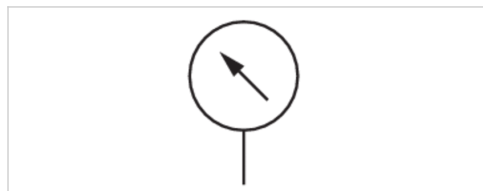


Pressure gauge, Series PG1-SFB

- Back port
- Background color White
- Scale color Black, Grey
- Units bar
- Units psi



Version	Bourdon tube pressure gauge
Standardization	EN 837-1
Class	2,5
Ambient temperature min./max.	-25 ... 60 °C
Medium	Compressed air
Main scale unit (outside)	bar
Main scale color (outside)	Black
Secondary scale unit (inside)	psi
Secondary scale color (inside)	Grey
Background color	White
Pointer color	Black
Weight	0,091 kg

Technical data

Part No.	Compressed air connection	Nominal diameter	Range of application	Display range	Operating pressure	Scale value	
R412010678	R 1/8	50 mm	0 ... 10	0 ... 12	0 ... 12 bar	0,2	1)
R412010679	R 1/8	50 mm	0 ... 10	0 ... 12	0 ... 12 bar	0,2	2)

1) Polycarbonate viewing window

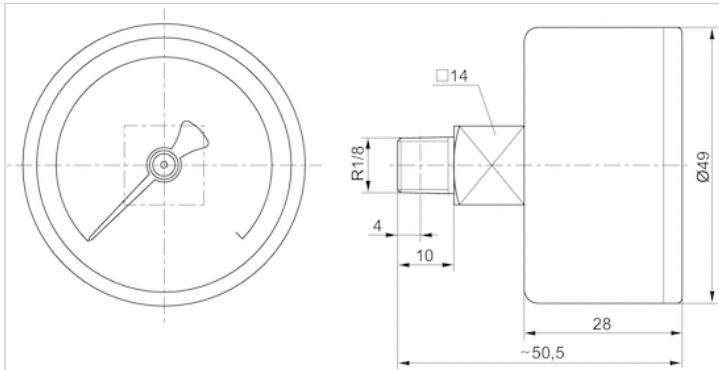
2) Safety glass viewing window

Technical information

Material	
Housing	Stainless steel
Thread	Stainless steel
pointer	Stainless steel

Dimensions

Dimensions Fig. 1 Polycarbonate viewing window



Dimensions Fig. 2 Safety glass viewing window

