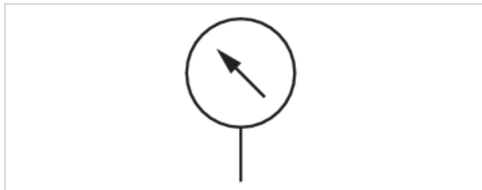


# Pressure gauge, Series PG1-ROU

- Port on bottom
- Background color Black
- Scale color White, Red
- Viewing window Polystyrene
- Units bar
- Units psi



Version	Bourdon tube pressure gauge
Standardization	EN 837-1
Class	1,6
Ambient temperature min./max.	-40 ... 60 °C
Medium	Compressed air
Main scale unit (outside)	bar
Main scale color (outside)	White
Secondary scale unit (inside)	psi
Secondary scale color (inside)	Red
Background color	Black
Pointer color	White



## Technical data

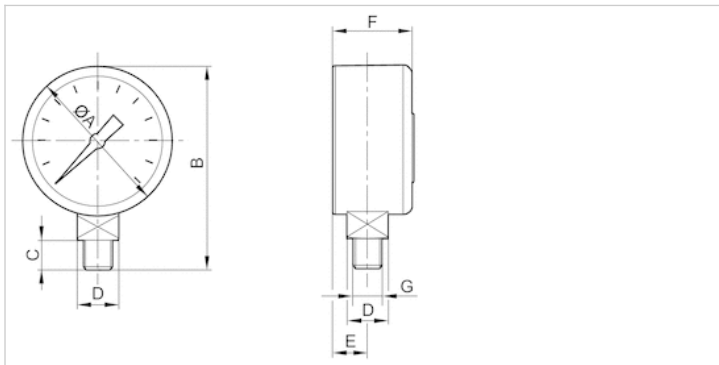
Part No.	Compressed air connection	Nominal diameter	Range of application	Display range	Operating pressure	Scale value
8901703200	R 1/8	50 mm	0 ... 10	0 ... 12	0 ... 12 bar	0,2

## Technical information

Material	
Housing	Acrylonitrile butadiene styrene
Thread	Brass
Viewing window	Polystyrene

## Dimensions

### Dimensions



### Dimensions in mm

Compressed air connection	Nominal diameter	Ø A	B	C	D	F	E
R 1/8	50 mm	50	66.5	10	SW14	27,5	10