

Mini cylinder, Series CSL-RD

- Version: hygienic design
- Ø 16 mm
- Ports M5
- double-acting
- with magnetic piston
- Cushioning elastic non-adjustable
- with integrated rear eye
- Piston rod External thread
- ATEX optional
- suitable for use in food processing



Standards	ISO 6432
Certificates	ATEX optional
Compressed air connection	Internal thread
Working pressure min./max.	1 ... 10 bar
Ambient temperature min./max.	-20 ... 80 °C
Medium temperature min./max.	-20 ... 80 °C
Medium	Compressed air
Max. particle size	50 µm
Oil content of compressed air	0 ... 5 mg/m ³
Pressure for determining piston forces	6.3 bar

Technical data

	16 mm	20 mm	25 mm
Piston Ø	16 mm	20 mm	25 mm
Piston rod thread	M6	M8	M10x1,25
Ports	M5	G 1/8	G 1/8
Piston rod Ø	6 mm	8 mm	10 mm
Stroke 25	R412020420	R412020464	R412020508
50	R412020421	R412020465	R412020509
80	R412020422	R412020466	R412020510
100	R412020423	R412020467	R412020511
125	R412020424	R412020468	R412020512
160	R412020425	R412020469	R412020513
200	R412020426	R412020470	R412020514
250	R412020427	R412020471	R412020515
320	R412020428	R412020472	R412020516
400	R412020429	R412020473	R412020517
500	R412020430	R412020474	R412020518

Technical information

Piston Ø	16 mm	20 mm	25 mm
Retracting piston force	109 N	166 N	260 N
Extracting piston force	127 N	198 N	309 N

The pressure dew point must be at least 15 °C under ambient and medium temperature and may not exceed 3 °C .

The oil content of compressed air must remain constant during the life cycle.

Use only the approved oils from AVENTICS. Further information can be found in the "Technical information" document (available in the MediaCentre).

Clamping piece for magnetic field sensor necessary

ATEX-certified cylinders with identification II 2G c IIB T4 / II 2D c IP65 T135°C X can be generated in the Internet configurator.

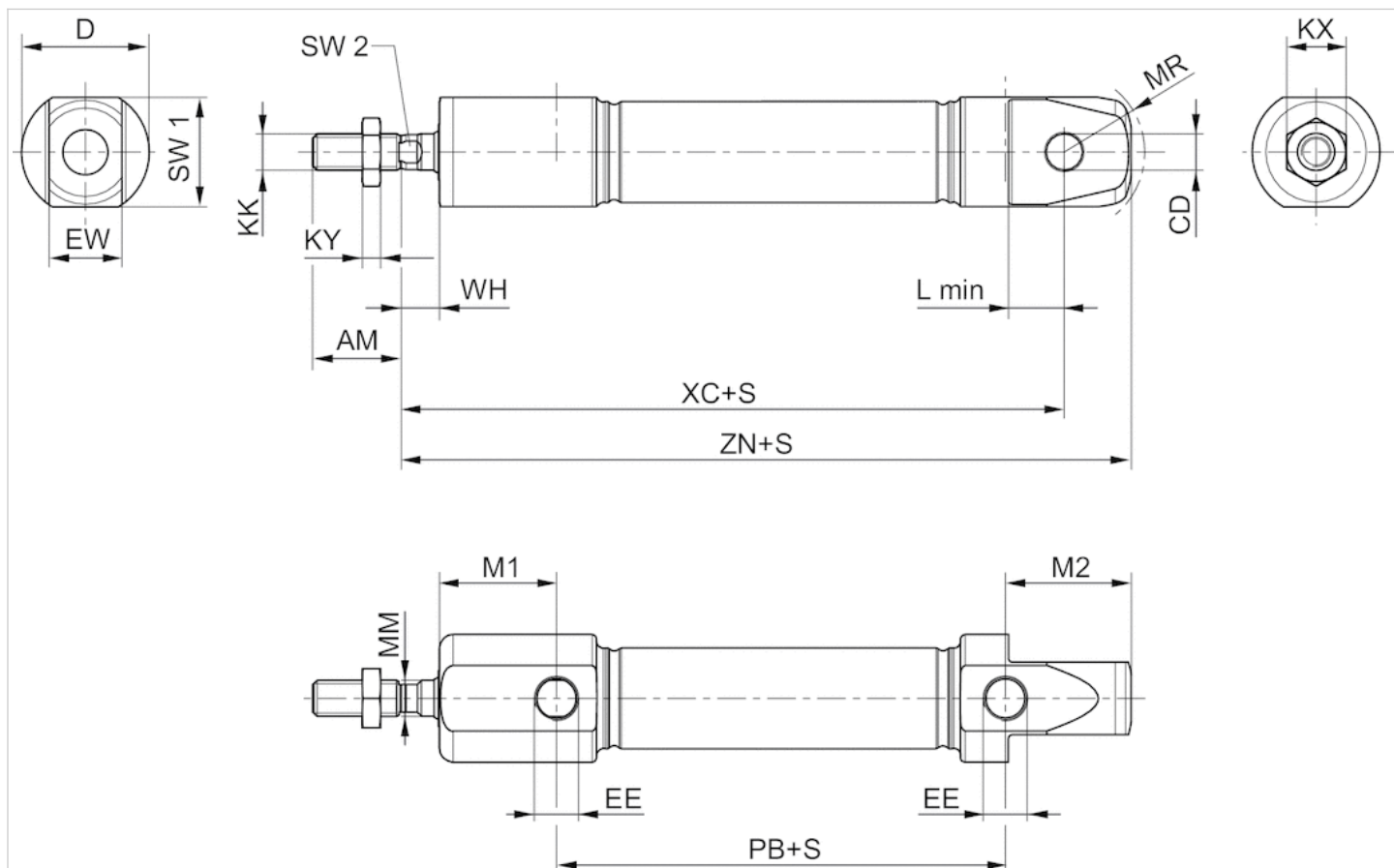
The operating temperature range for ATEX-certified cylinders is - 20 °C ... 50 °C .

Technical information

Material	
Cylinder tube	Stainless steel
Piston rod	Stainless steel
Piston	Aluminum
Front cover	Stainless steel, Electropolished
End cover	Stainless steel, Electropolished
Seal	Nitrile butadiene rubber
Nut for cylinder mounting	Stainless steel
Nut for piston rod	Stainless steel
Scraper	Polyurethane (FDA-compliant)
Guide bushing	Plastic

Dimensions

Dimensions



S = stroke

Dimensions

Piston Ø	AM-2	CD H9	D	EE	EW d13	KK	KX	KY	L min	M1	M2	MM f8	MR
16 mm	16	6	22	M5 t=5	12	M6	10	3.2	9	21.2	22.7	6	16
16 mm	16	6	22	M5 t=5	12	M6	10	3.2	9	21.2	22.7	6	16
20 mm	20	8	28	G 1/8 t=8	16	M8	13	4	12	25.7	27.7	8	18
25 mm	22	8	33	G 1/8 t=8	16	M10x1,25	17	5	12	28.2	29.7	10	19

Piston Ø	PB ±1	WH ±1,4	XC ±1	ZN ± 1	SW 1	SW 2
16 mm	43.6	7.5	82	94.7	20	5
16 mm	43.6	7.5	82	94.7	20	5
20 mm	48.6	8	95	109.7	24	6
25 mm	52.6	9.5	104	119.7	28	8