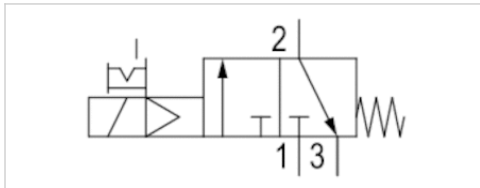


# 3/2-directional valve, Series 579

- Qn = 520-850 l/min
- Pipe connection
- Compressed air connection output Ø6x1 Ø 8x1
- Electrical connection Plug, ISO 15217, form C
- Manual override with detent



Version	Poppet valve
Activation	Electrically
Pilot	internal
Sealing principle	Soft sealing
Working pressure min./max.	2 ... 8 bar
Ambient temperature min./max.	-15 ... 50 °C
Medium temperature min./max.	-15 ... 50 °C
Medium	Compressed air
Max. particle size	5 µm
Oil content of compressed air	0 ... 1 mg/m <sup>3</sup>
Nominal flow Qn	See table below
Protection class with connection	IP65
Reverse polarity protection	Protected against polarity reversal
Duty cycle	100 %
Typ. switch-on time	18 ms
Typ. switch-off time	16 ms
Weight	0,093 kg

## Technical data

Part No.	MO	Type	Compressed air connection	
			Input	Output
5794400210	NC	single valve	Ø6x1	Ø6x1
5794400220	NC	single valve	Ø6x1	Ø6x1
5794400620	NC	single valve	Ø6x1	Ø6x1
5794405220	NC	single valve	Ø6x1	Ø6x1
5794405270	NC	single valve	Ø6x1	Ø6x1
5794405280	NC	single valve	Ø6x1	Ø6x1
5794405680	NC	single valve	Ø6x1	Ø6x1
5794600210	NC	single valve	Ø 8x1	Ø 8x1
5794600220	NC	single valve	Ø 8x1	Ø 8x1
5794600620	NC	single valve	Ø 8x1	Ø 8x1
5794605220	NC	single valve	Ø 8x1	Ø 8x1
5794605270	NC	single valve	Ø 8x1	Ø 8x1
5794605280	NC	single valve	Ø 8x1	Ø 8x1
5794605680	NC	single valve	Ø 8x1	Ø 8x1

Part No.	Compressed air connection		Operational voltage	
	Output	Input	DC	AC 50 Hz
5794400210	Ø6x1	Ø6x1	12 V	-
5794400220	Ø6x1	Ø6x1	24 V	-
5794400620	Ø6x1	Ø6x1	24 V	-

Part No.	Compressed air connection	Operationalvoltage	
	Output	DC	AC 50 Hz
5794405220	Ø6x1	-	24 V
5794405270	Ø6x1	-	110 V
5794405280	Ø6x1	-	230 V
5794405680	Ø6x1	-	230 V
5794600210	Ø 8x1	12 V	-
5794600220	Ø 8x1	24 V	-
5794600620	Ø 8x1	24 V	-
5794605220	Ø 8x1	-	24 V
5794605270	Ø 8x1	-	110 V
5794605280	Ø 8x1	-	230 V
5794605680	Ø 8x1	-	230 V

Part No.	Operationalvoltage	Power consumption	Holding power	Holding power
	AC 60 Hz	DC	AC 50 Hz	AC 60 Hz
5794400210	-	1,6 W	-	-
5794400220	-	1,6 W	-	-
5794400620	-	1,7 W	-	-
5794405220	24 V	-	2,2 VA	1,8 VA
5794405270	110 V	-	3 VA	2,4 VA
5794405280	230 V	-	2,3 VA	2 VA
5794405680	230 V	-	2,5 VA	2,2 VA
5794600210	-	1,6 W	-	-
5794600220	-	1,6 W	-	-
5794600620	-	1,7 W	-	-
5794605220	24 V	-	2,2 VA	1,8 VA
5794605270	110 V	-	3 VA	2,4 VA
5794605280	230 V	-	2,3 VA	2 VA
5794605680	230 V	-	2,5 VA	2,2 VA

Part No.	Switch-on power	Switch-on power	Pilot	Flow	LED
	AC 50 Hz	AC 60 Hz		Qn	
5794400210	-	-	internal	520 l/min	-
5794400220	-	-	internal	520 l/min	-
5794400620	-	-	internal	520 l/min	Red
5794405220	3 VA	2,6 VA	internal	520 l/min	-
5794405270	4,2 VA	3,4 VA	internal	520 l/min	-
5794405280	3,2 VA	2,8 VA	internal	520 l/min	-
5794405680	3,4 VA	3 VA	internal	520 l/min	Red
5794600210	-	-	internal	850 l/min	-
5794600220	-	-	internal	850 l/min	-
5794600620	-	-	internal	850 l/min	Red
5794605220	3 VA	2,6 VA	internal	850 l/min	-
5794605270	4,2 VA	3,4 VA	internal	850 l/min	-
5794605280	3,2 VA	2,8 VA	internal	850 l/min	-
5794605680	3,4 VA	3 VA	internal	850 l/min	Red

Part No.	Protected against polarity reversal	
5794400210	Protected against polarity reversal	-



Part No.	Protected against polarity reversal	
5794400220	Protected against polarity reversal	-
5794400620	Protected against polarity reversal	1)
5794405220	Protected against polarity reversal	-
5794405270	Protected against polarity reversal	-
5794405280	Protected against polarity reversal	-
5794405680	Protected against polarity reversal	-
5794600210	Protected against polarity reversal	-
5794600220	Protected against polarity reversal	-
5794600620	Protected against polarity reversal	1)
5794605220	Protected against polarity reversal	-
5794605270	Protected against polarity reversal	-
5794605280	Protected against polarity reversal	-
5794605680	Protected against polarity reversal	-

Nominal flow Qn at 6 bar and Δp = 1 bar, MO = Manual override

1) with LED and protective diode for reducing voltage peaks in the solenoid coil

## Technical information

The min. control pressure must be adhered to, since otherwise faulty switching and valve failure may result!  
 The pressure dew point must be at least 15 °C under ambient and medium temperature and may not exceed 3 °C .  
 The oil content of compressed air must remain constant during the life cycle.  
 Use only the approved oils from AVENTICS. Further information can be found in the “Technical information” document (available in the MediaCentre).

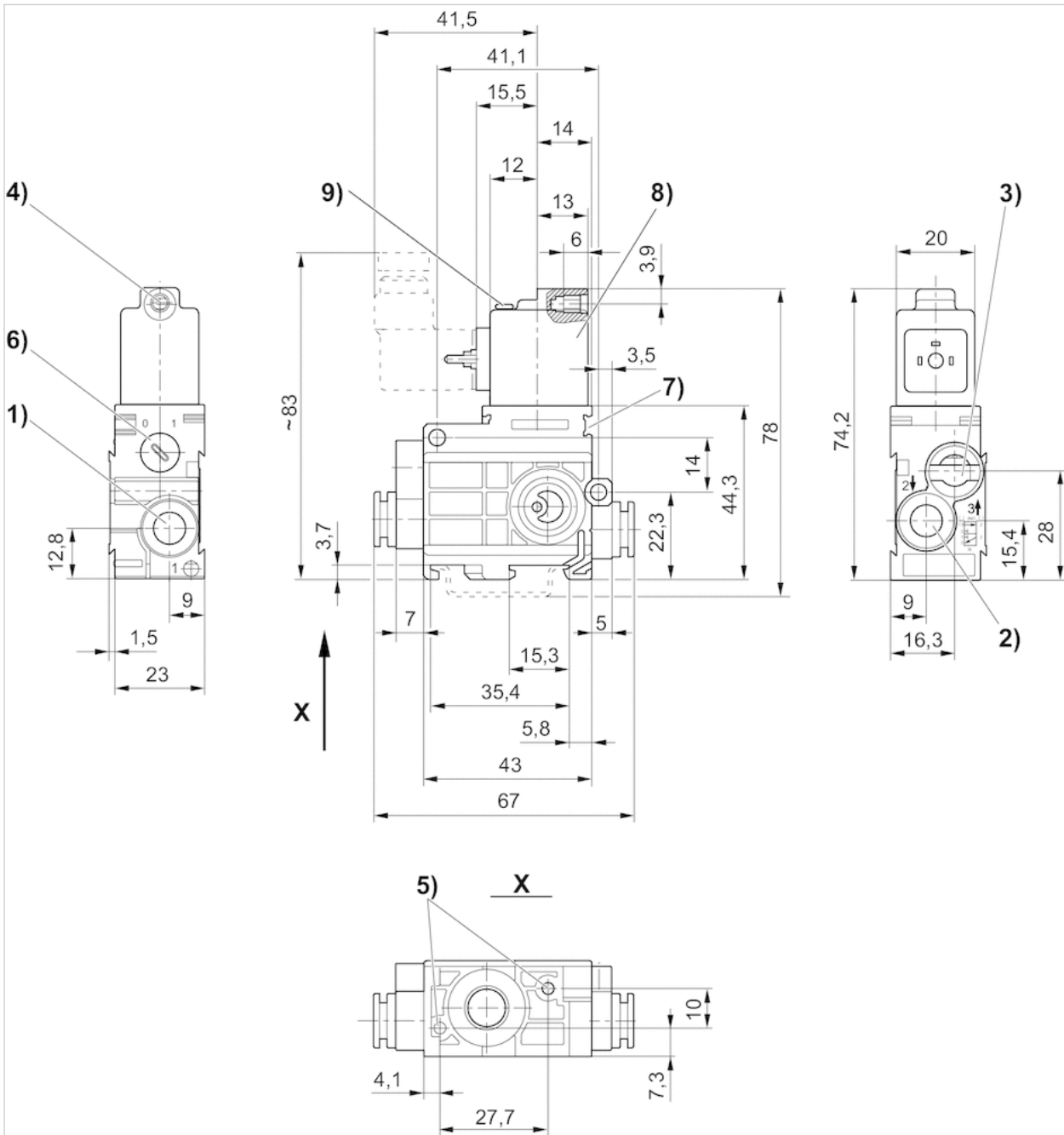
At an ambient temperature of 40 °C the max. working pressure is 10 bar .  
 Versions with voltage of less than 50 V DC do not have a protective ground.

## Technical information

Material	
Housing	Polyamide
Seals	Acrylonitrile butadiene rubber Polyurethane

# Dimensions

## Dimensions



- 1) Port 12) Port 23) Port 3, exhaust air must not be throttled4) Core Ø for M55) Pocket hole 6 mm deep for 3.5 self-tapping screw6) Manual override7) Mounting space for name plate8) Coil can be rotated at 180° intervals9) LED