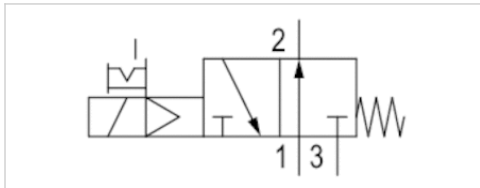


3/2-directional valve, Series 579

- Qn = 520-600 l/min
- Pipe connection
- Compressed air connection output Ø6x1 Ø 8x1
- Electrical connection Plug, ISO 15217, form C
- Manual override with detent



Version	Poppet valve
Activation	Electrically
Pilot	internal
Sealing principle	Soft sealing
Working pressure min./max.	2 ... 8 bar
Ambient temperature min./max.	-15 ... 50 °C
Medium temperature min./max.	-15 ... 50 °C
Medium	Compressed air
Max. particle size	5 µm
Oil content of compressed air	0 ... 1 mg/m ³
Nominal flow Qn	See table below
Protection class with connection	IP65
Reverse polarity protection	Protected against polarity reversal
Duty cycle	100 %
Typ. switch-on time	18 ms
Typ. switch-off time	16 ms
Weight	0,093 kg

Technical data

Part No.	MO	Type	Compressed air connection	
			Input	Output
5794410210	NO	single valve	Ø6x1	Ø6x1
5794410220	NO	single valve	Ø6x1	Ø6x1
5794410620	NO	single valve	Ø6x1	Ø6x1
5794415220	NO	single valve	Ø6x1	Ø6x1
5794415270	NO	single valve	Ø6x1	Ø6x1
5794415280	NO	single valve	Ø6x1	Ø6x1
5794415680	NO	single valve	Ø6x1	Ø6x1
5794610210	NO	single valve	Ø 8x1	Ø 8x1
5794610220	NO	single valve	Ø 8x1	Ø 8x1
5794610620	NO	single valve	Ø 8x1	Ø 8x1
5794615220	NO	single valve	Ø 8x1	Ø 8x1
5794615270	NO	single valve	Ø 8x1	Ø 8x1
5794615280	NO	single valve	Ø 8x1	Ø 8x1
5794615680	NO	single valve	Ø 8x1	Ø 8x1

Part No.	Compressed air connection	Operational voltage	
	Output	DC	AC 50 Hz
5794410210	Ø6x1	12 V	-
5794410220	Ø6x1	24 V	-
5794410620	Ø6x1	24 V	-

Part No.	Compressed air connection	Operationalvoltage	
	Output	DC	AC 50 Hz
5794415220	Ø6x1	-	24 V
5794415270	Ø6x1	-	110 V
5794415280	Ø6x1	-	230 V
5794415680	Ø6x1	-	230 V
5794610210	Ø 8x1	12 V	-
5794610220	Ø 8x1	24 V	-
5794610620	Ø 8x1	24 V	-
5794615220	Ø 8x1	-	24 V
5794615270	Ø 8x1	-	110 V
5794615280	Ø 8x1	-	230 V
5794615680	Ø 8x1	-	230 V

Part No.	Operationalvoltage	Power consumption	Holding power	Holding power
	AC 60 Hz	DC	AC 50 Hz	AC 60 Hz
5794410210	-	1,6 W	-	-
5794410220	-	1,6 W	-	-
5794410620	-	1,7 W	-	-
5794415220	24 V	-	2,2 VA	1,8 VA
5794415270	110 V	-	3 VA	2,4 VA
5794415280	230 V	-	2,3 VA	2 VA
5794415680	230 V	-	2,5 VA	2,2 VA
5794610210	-	1,6 W	-	-
5794610220	-	1,6 W	-	-
5794610620	-	1,7 W	-	-
5794615220	24 V	-	2,2 VA	1,8 VA
5794615270	110 V	-	3 VA	2,4 VA
5794615280	230 V	-	2,3 VA	2 VA
5794615680	230 V	-	2,5 VA	2,2 VA

Part No.	Switch-on power	Switch-on power	Pilot	Flow	LED
	AC 50 Hz	AC 60 Hz		Qn	
5794410210	-	-	internal	520 l/min	-
5794410220	-	-	internal	520 l/min	-
5794410620	-	-	internal	520 l/min	Red
5794415220	3 VA	2,6 VA	internal	520 l/min	-
5794415270	4,2 VA	3,4 VA	internal	520 l/min	-
5794415280	3,2 VA	2,8 VA	internal	520 l/min	-
5794415680	3,4 VA	3 VA	internal	520 l/min	Red
5794610210	-	-	internal	600 l/min	-
5794610220	-	-	internal	600 l/min	-
5794610620	-	-	internal	600 l/min	Red
5794615220	3 VA	2,6 VA	internal	600 l/min	-
5794615270	4,2 VA	3,4 VA	internal	600 l/min	-
5794615280	3,2 VA	2,8 VA	internal	600 l/min	-
5794615680	3,4 VA	3 VA	internal	600 l/min	Red

Part No.	Protected against polarity reversal
5794410210	Protected against polarity reversal



Part No.	Protected against polarity reversal	
5794410220	Protected against polarity reversal	-
5794410620	Protected against polarity reversal	1)
5794415220	Protected against polarity reversal	-
5794415270	Protected against polarity reversal	-
5794415280	Protected against polarity reversal	-
5794415680	Protected against polarity reversal	-
5794610210	Protected against polarity reversal	-
5794610220	Protected against polarity reversal	-
5794610620	Protected against polarity reversal	1)
5794615220	Protected against polarity reversal	-
5794615270	Protected against polarity reversal	-
5794615280	Protected against polarity reversal	-
5794615680	Protected against polarity reversal	-

Nominal flow Qn at 6 bar and Δp = 1 bar, MO = Manual override

1) With LED and protective diode for reducing voltage peaks in the solenoid coil, protected against polarity reversal

Technical information

The min. control pressure must be adhered to, since otherwise faulty switching and valve failure may result!
 The pressure dew point must be at least 15 °C under ambient and medium temperature and may not exceed 3 °C .
 The oil content of compressed air must remain constant during the life cycle.
 Use only the approved oils from AVENTICS. Further information can be found in the “Technical information” document (available in the MediaCentre).

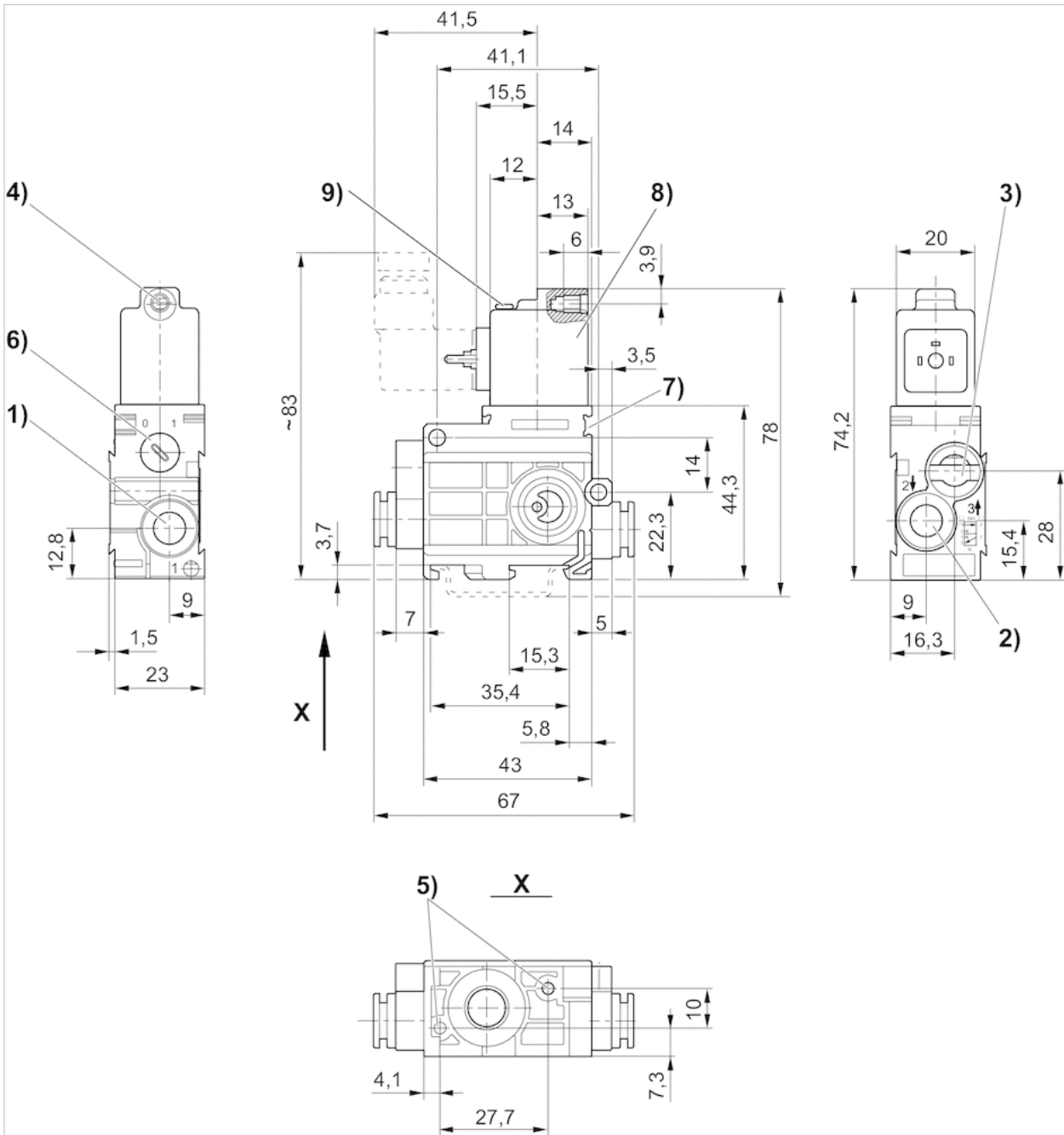
At an ambient temperature of 40 °C the max. working pressure is 10 bar .
 Versions with voltage of less than 50 V DC do not have a protective ground.

Technical information

Material	
Housing	Polyamide
Seals	Acrylonitrile butadiene rubber Polyurethane

Dimensions

Dimensions



- 1) Port 12) Port 23) Port 3, exhaust air must not be throttled4) Core Ø for M55) Pocket hole 6 mm deep for 3.5 self-tapping screw6) Manual override7) Mounting space for name plate8) Coil can be rotated at 180° intervals9) LED