

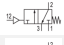
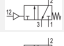
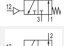
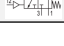

3/2-directional valve, Series 579

- Qn = 520 l/min
- Compressed air connection output Ø6x1
- Single air pilot
- Pipe connection
- single valve



Version	Poppet valve
Activation	Pneumatically
Sealing principle	Soft sealing
Working pressure min./max.	0,5 ... 8 bar
Control pressure min./max.	2 ... 10 bar
Ambient temperature min./max.	-15 ... 60 °C
Medium temperature min./max.	-15 ... 60 °C
Medium	Compressed air
Max. particle size	5 µm
Oil content of compressed air	0 ... 1 mg/m ³
Weight	See table

Technical data

Part No.		NC	Compressed air connection	
			Input	Output
5794400000		NC	Ø6x1	Ø6x1
5794600000		NC	Ø 8x1	Ø 8x1
5794400010		NO	Ø6x1	Ø6x1
5794600010		NO	Ø 8x1	Ø 8x1

Part No.	Compressed air connection		Flow Qn	Weight
	Pilot control exhaust			
5794400000	Ø 4		520 l/min	0,062 kg
5794600000	Ø 4		850 l/min	0,058 kg
5794400010	Ø 4		520 l/min	0,062 kg
5794600010	Ø 4		600 l/min	0,059 kg

Technical information

The min. control pressure must be adhered to, since otherwise faulty switching and valve failure may result!

The pressure dew point must be at least 15 °C under ambient and medium temperature and may not exceed 3 °C .

The oil content of compressed air must remain constant during the life cycle.

Use only the approved oils from AVENTICS. Further information can be found in the "Technical information" document (available in the MediaCentre).

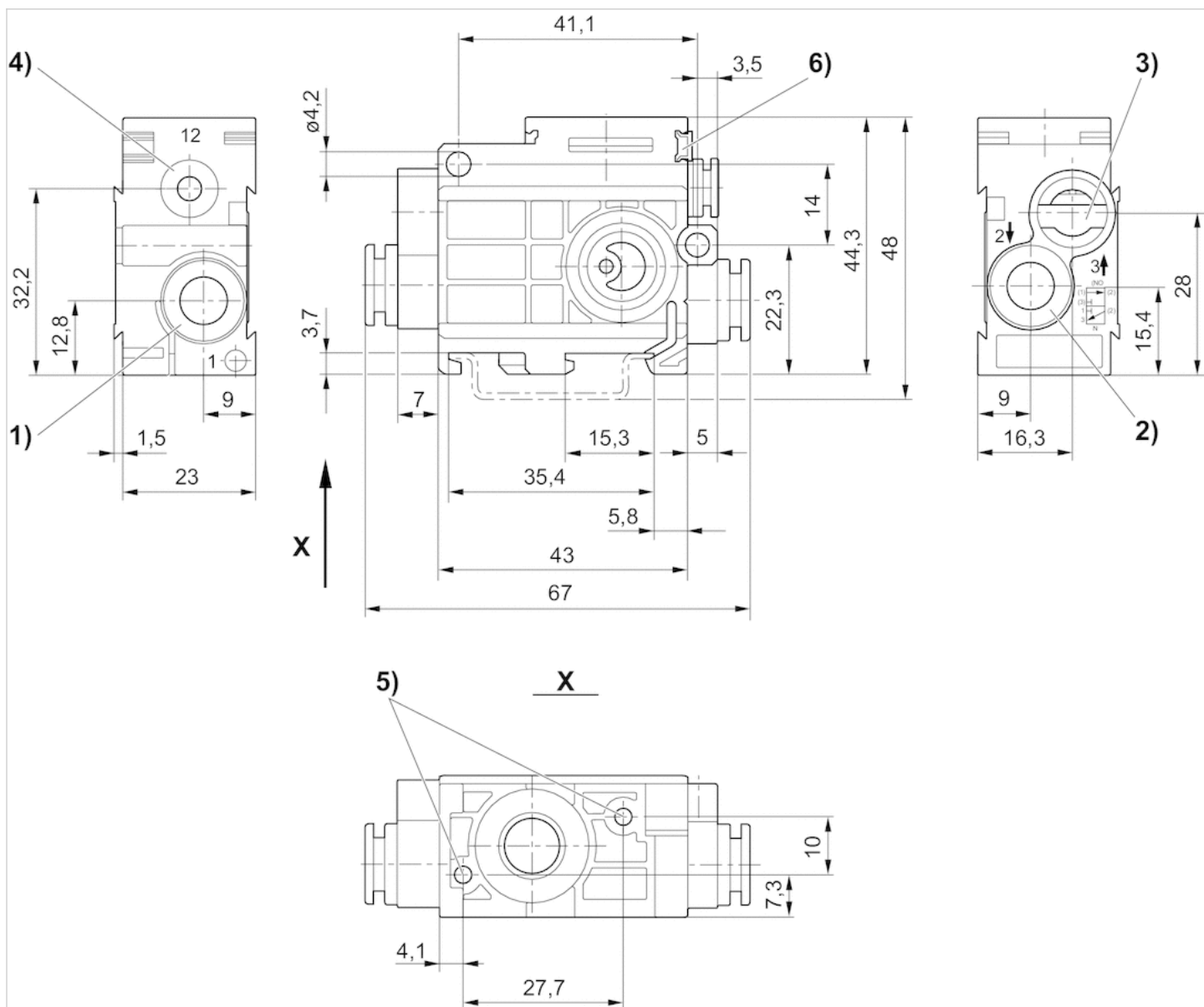
At an ambient temperature of 40 °C the max. working pressure is 10 bar .

Technical information

Material	
Housing	Polyamide
Seals	Acrylonitrile butadiene rubber

Dimensions

Dimensions



1) port 1 2) port 2 3) port 3 exhaust must not be throttled 4) port 12 5) pocket hole 6 mm deep for 3.5 self-tapping screw 6) mounting space for name plate