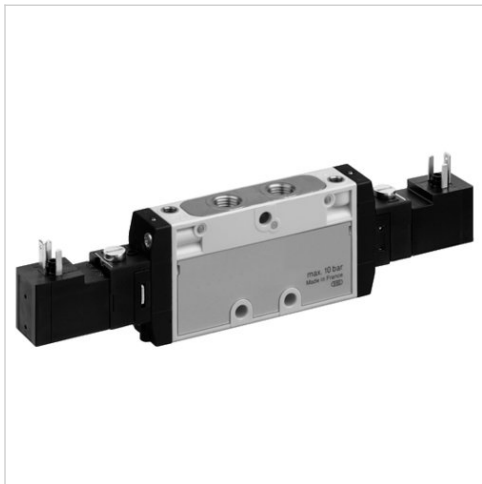


# 5/3-directional valve, Series TC08 - inch

- Operating voltage 24 V DC
- Qn = 700 l/min
- Pilot valve width : 15 mm
- closed center
- Pipe connection
- Compressed air connection output : 1/8-27 NPTF
- Electrical connection : Plug, ISO 15217, form C
- Manual override : with detent
- Double solenoid
- Pilot : internal external



|                                  |                                   |
|----------------------------------|-----------------------------------|
| Version                          | Spool valve, positive overlapping |
| Activation                       | Electrically                      |
| Sealing principle                | Soft sealing                      |
| Working pressure min./max.       | See table below                   |
| Control pressure min./max.       | 3 ... 10 bar                      |
| Ambient temperature min./max.    | -10 ... 50 °C                     |
| Medium temperature min./max.     | -10 ... 50 °C                     |
| Medium                           | Compressed air                    |
| Max. particle size               | 5 µm                              |
| Oil content of compressed air    | 0 ... 5 mg/m <sup>3</sup>         |
| Nominal flow Qn                  | 700 l/min                         |
| Compressed air connection        | according to ANSI B1.20.3         |
| Connector standard               | ISO 15217                         |
| Protection class with connection | IP65                              |
| Duty cycle                       | 100 %                             |
| Typ. switch-on time              | 10 ms                             |
| Typ. switch-off time             | 11 ms                             |
| Mounting on manifold strip       | P-strip                           |
| Mounting screw tightening torque | 2 Nm                              |
| Weight                           | 0,18 kg                           |

## Technical data

| Part No.   |  | MO | Compressed air connection |             |
|------------|--|----|---------------------------|-------------|
|            |  |    | Input                     | Output      |
| R422101225 |  |    | 1/8-27 NPTF               | 1/8-27 NPTF |
| R422101229 |  |    | 1/8-27 NPTF               | 1/8-27 NPTF |
| R422101233 |  |    | 1/8-27 NPTF               | 1/8-27 NPTF |
| R422101237 |  |    | 1/8-27 NPTF               | 1/8-27 NPTF |
| R422101241 |  |    | 1/8-27 NPTF               | 1/8-27 NPTF |
| R422101245 |  |    | 1/8-27 NPTF               | 1/8-27 NPTF |

| Part No.   | Compressed air connection |  | Operational voltage | Voltage tolerance |
|------------|---------------------------|--|---------------------|-------------------|
|            | Exhaust                   |  | DC                  | DC                |
| R422101225 | 1/8-27 NPTF               |  | 24 V                | -10% / +10%       |
| R422101229 | 1/8-27 NPTF               |  | 24 V                | -10% / +10%       |
| R422101233 | 1/8-27 NPTF               |  | 24 V                | -10% / +10%       |

| Part No.   | Compressed air connection | Operational voltage | Voltage tolerance |
|------------|---------------------------|---------------------|-------------------|
|            | Exhaust                   | DC                  | DC                |
| R422101237 | 1/8-27 NPTF               | 24 V                | -10% / +10%       |
| R422101241 | 1/8-27 NPTF               | 24 V                | -10% / +10%       |
| R422101245 | 1/8-27 NPTF               | 24 V                | -10% / +10%       |

| Part No.   | Power consumption | Pilot    | Flow conductance | Flow conductance | Nominal resistance |
|------------|-------------------|----------|------------------|------------------|--------------------|
|            | DC                |          | b                | C-value          |                    |
| R422101225 | 1,9 W             | internal | 0,34             | 3 l/(s*bar)      | 185 Ω              |
| R422101229 | 1,9 W             | external | 0,34             | 3 l/(s*bar)      | 185 Ω              |
| R422101233 | 1,9 W             | internal | 0,34             | 3 l/(s*bar)      | 185 Ω              |
| R422101237 | 1,9 W             | external | 0,34             | 3 l/(s*bar)      | 185 Ω              |
| R422101241 | 1,9 W             | internal | 0,34             | 3 l/(s*bar)      | 185 Ω              |
| R422101245 | 1,9 W             | external | 0,34             | 3 l/(s*bar)      | 185 Ω              |

| Part No.   | Working pressure min./max. |
|------------|----------------------------|
| R422101225 | 3 ... 10 bar               |
| R422101229 | -0,9 ... 10 bar            |
| R422101233 | 3 ... 10 bar               |
| R422101237 | -0,9 ... 10 bar            |
| R422101241 | 3 ... 10 bar               |
| R422101245 | -0,9 ... 10 bar            |

Nominal flow Qn at 6 bar and  $\Delta p = 1$  bar, MO = Manual override

## Technical information

The min. control pressure must be adhered to, since otherwise faulty switching and valve failure may result!

The pressure dew point must be at least 15 °C under ambient and medium temperature and may not exceed 3 °C .

The oil content of compressed air must remain constant during the life cycle.

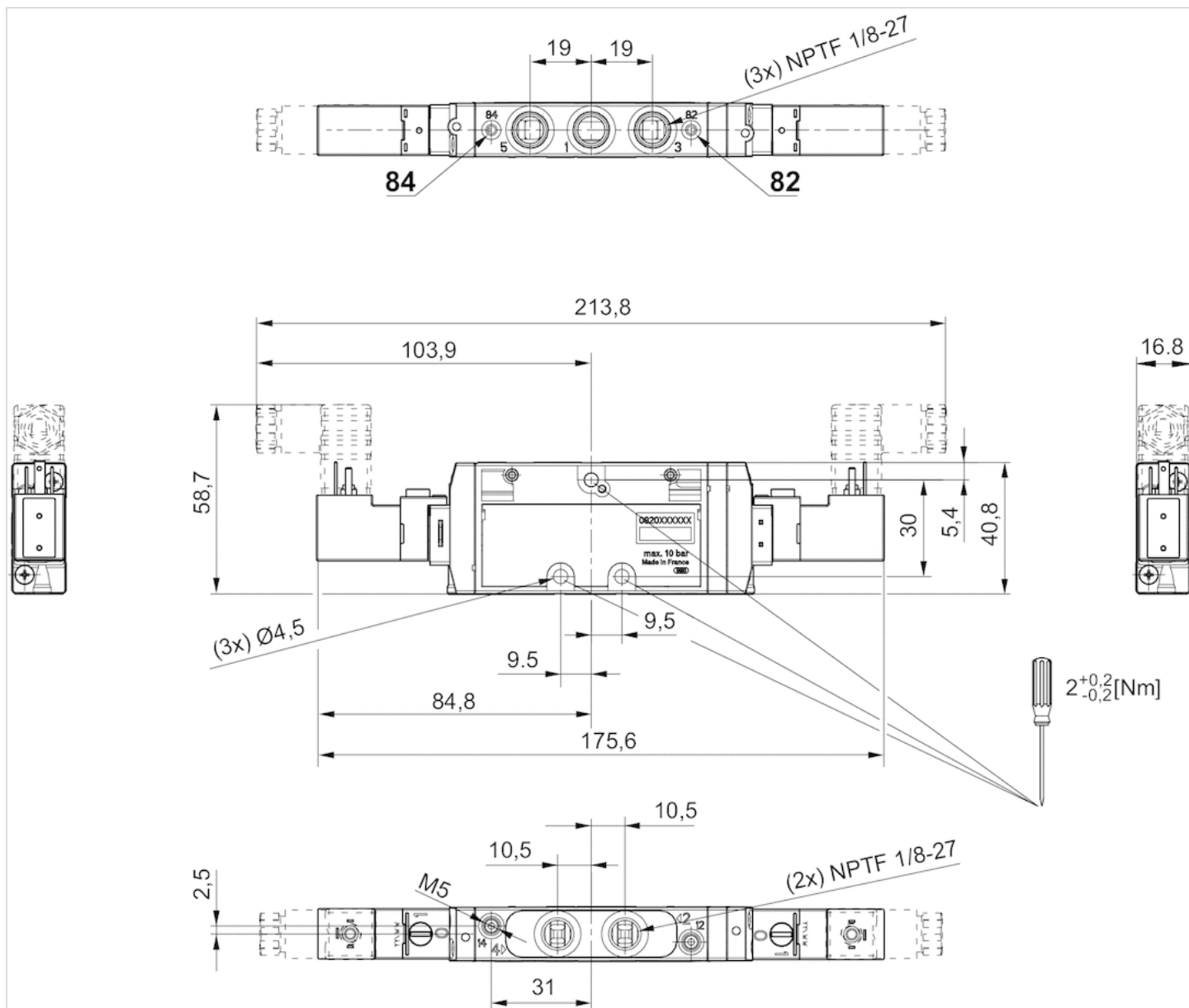
Use only the approved oils from AVENTICS. Further information can be found in the "Technical information" document (available in the MediaCentre).

## Technical information

| Material         |  |
|------------------|--|
| Housing          | Polyamide, fiber-glass reinforced                |
| Seals            | Acrylonitrile butadiene rubber Polyurethane      |
| Front plate      | Polyamide, fiber-glass reinforced                |
| Threaded bushing | Brass Die cast zinc, nickel-plated chrome-plated |

# Dimensions

## Dimensions in mm



Dimensions in inches

