

# 2x3/2-directional valve, Series TC08 - inch

- Operating voltage 12 V AC, 110 V AC, 230 V AC
- Qn = 600 l/min
- Pilot valve width : 15 mm
- Pipe connection
- Compressed air connection output : 1/8-27 NPTF
- Electrical connection : Plug, ISO 15217, form C
- Manual override : with detent
- Double solenoid
- With spring return
- Pilot : internal external



Version	Spool valve, positive overlapping
Activation	Electrically
Sealing principle	Soft sealing
Working pressure min./max.	See table below
Control pressure min./max.	2,5 ... 10 bar
Ambient temperature min./max.	-10 ... 50 °C
Medium temperature min./max.	-10 ... 50 °C
Medium	Compressed air
Max. particle size	5 µm
Oil content of compressed air	0 ... 5 mg/m <sup>3</sup>
Nominal flow Qn	600 l/min
Compressed air connection	according to ANSI B1.20.3
Connector standard	ISO 15217
Protection class with connection	IP65
Duty cycle	100 %
Typ. switch-on time	10 ms
Typ. switch-off time	14 ms
Mounting on manifold strip	P-strip
Mounting screw tightening torque	2 Nm
Tightening torque tolerance	±0,2 mT
Weight	0,181 kg

## Technical data

Part No.		NC/NC	MO	Compressed air connection	
				Input	
R422102100		NC/NC		1/8-27 NPTF	
R422102102		NC/NC		1/8-27 NPTF	
R422102103		NC/NC		1/8-27 NPTF	
R422102104		NO/NO		1/8-27 NPTF	
R422102106		NO/NO		1/8-27 NPTF	
R422102107		NO/NO		1/8-27 NPTF	
R422102108		NC/NO		1/8-27 NPTF	
R422102110		NC/NO		1/8-27 NPTF	
R422102111		NC/NO		1/8-27 NPTF	
R422102112		NC/NC		1/8-27 NPTF	
R422102114		NC/NC		1/8-27 NPTF	
R422102115		NC/NC		1/8-27 NPTF	
R422102116		NO/NO		1/8-27 NPTF	
R422102118		NO/NO		1/8-27 NPTF	
R422102119		NO/NO		1/8-27 NPTF	
R422102120		NC/NO		1/8-27 NPTF	
R422102122		NC/NO		1/8-27 NPTF	
R422102123		NC/NO		1/8-27 NPTF	

Part No.	Compressed air connection	
	Output	Exhaust
R422102100	1/8-27 NPTF	1/8-27 NPTF
R422102102	1/8-27 NPTF	1/8-27 NPTF
R422102103	1/8-27 NPTF	1/8-27 NPTF
R422102104	1/8-27 NPTF	1/8-27 NPTF
R422102106	1/8-27 NPTF	1/8-27 NPTF
R422102107	1/8-27 NPTF	1/8-27 NPTF
R422102108	1/8-27 NPTF	1/8-27 NPTF
R422102110	1/8-27 NPTF	1/8-27 NPTF
R422102111	1/8-27 NPTF	1/8-27 NPTF
R422102112	1/8-27 NPTF	1/8-27 NPTF
R422102114	1/8-27 NPTF	1/8-27 NPTF
R422102115	1/8-27 NPTF	1/8-27 NPTF
R422102116	1/8-27 NPTF	1/8-27 NPTF
R422102118	1/8-27 NPTF	1/8-27 NPTF
R422102119	1/8-27 NPTF	1/8-27 NPTF
R422102120	1/8-27 NPTF	1/8-27 NPTF
R422102122	1/8-27 NPTF	1/8-27 NPTF
R422102123	1/8-27 NPTF	1/8-27 NPTF

Part No.	Compressed air connection		Operational voltage	
	Pilot Input		DC	AC 50 Hz
R422102100	-		12 V	-
R422102102	-		-	110 V
R422102103	-		-	230 V
R422102104	-		12 V	-

Part No.	Compressed air connection	Operationalvoltage	
	Pilot Input	DC	AC 50 Hz
R422102106	-	-	110 V
R422102107	-	-	230 V
R422102108	-	12 V	-
R422102110	-	-	110 V
R422102111	-	-	230 V
R422102112	M5	12 V	-
R422102114	M5	-	110 V
R422102115	M5	-	230 V
R422102116	M5	12 V	-
R422102118	M5	-	110 V
R422102119	M5	-	230 V
R422102120	M5	12 V	-
R422102122	M5	-	110 V
R422102123	M5	-	230 V

Part No.	Operationalvoltage	Voltage tolerance	Voltage tolerance	Voltage tolerance
	AC 60 Hz	DC	AC 50 Hz	AC 60 Hz
R422102100	-	-10% / +10%	-	-
R422102102	110 V	-	-10% / +10%	-10% / +10%
R422102103	230 V	-	-10% / +10%	-10% / +10%
R422102104	-	-10% / +10%	-	-
R422102106	110 V	-	-10% / +10%	-10% / +10%
R422102107	230 V	-	-10% / +10%	-10% / +10%
R422102108	-	-10% / +10%	-	-
R422102110	110 V	-	-10% / +10%	-10% / +10%
R422102111	230 V	-	-10% / +10%	-10% / +10%
R422102112	-	-10% / +10%	-	-
R422102114	110 V	-	-10% / +10%	-10% / +10%
R422102115	230 V	-	-10% / +10%	-10% / +10%
R422102116	-	-10% / +10%	-	-
R422102118	110 V	-	-10% / +10%	-10% / +10%
R422102119	230 V	-	-10% / +10%	-10% / +10%
R422102120	-	-10% / +10%	-	-
R422102122	110 V	-	-10% / +10%	-10% / +10%
R422102123	230 V	-	-10% / +10%	-10% / +10%

Part No.	Power consumption	Holding power	Holding power	Switch-on power
	DC	AC 50 Hz	AC 60 Hz	AC 50 Hz
R422102100	2 W	-	-	-
R422102102	-	1,6 VA	1,4 VA	2,2 VA
R422102103	-	1,6 VA	1,4 VA	2,2 VA
R422102104	2 W	-	-	-
R422102106	-	1,6 VA	1,4 VA	2,2 VA
R422102107	-	1,6 VA	1,4 VA	2,2 VA
R422102108	2 W	-	-	-
R422102110	-	1,6 VA	1,4 VA	2,2 VA
R422102111	-	1,6 VA	1,4 VA	2,2 VA
R422102112	2 W	-	-	-
R422102114	-	1,6 VA	1,4 VA	2,2 VA

Part No.	Power consumption	Holding power	Holding power	Switch-on power
	DC	AC 50 Hz	AC 60 Hz	AC 50 Hz
R422102115	-	1,6 VA	1,4 VA	2,2 VA
R422102116	2 W	-	-	-
R422102118	-	1,6 VA	1,4 VA	2,2 VA
R422102119	-	1,6 VA	1,4 VA	2,2 VA
R422102120	2 W	-	-	-
R422102122	-	1,6 VA	1,4 VA	2,2 VA
R422102123	-	1,6 VA	1,4 VA	2,2 VA

Nominal flow Qn at 6 bar and  $\Delta p = 1$  bar, MO = Manual override

## Technical information

The min. control pressure must be adhered to, since otherwise faulty switching and valve failure may result!

The pressure dew point must be at least 15 °C under ambient and medium temperature and may not exceed 3 °C .

The oil content of compressed air must remain constant during the life cycle.

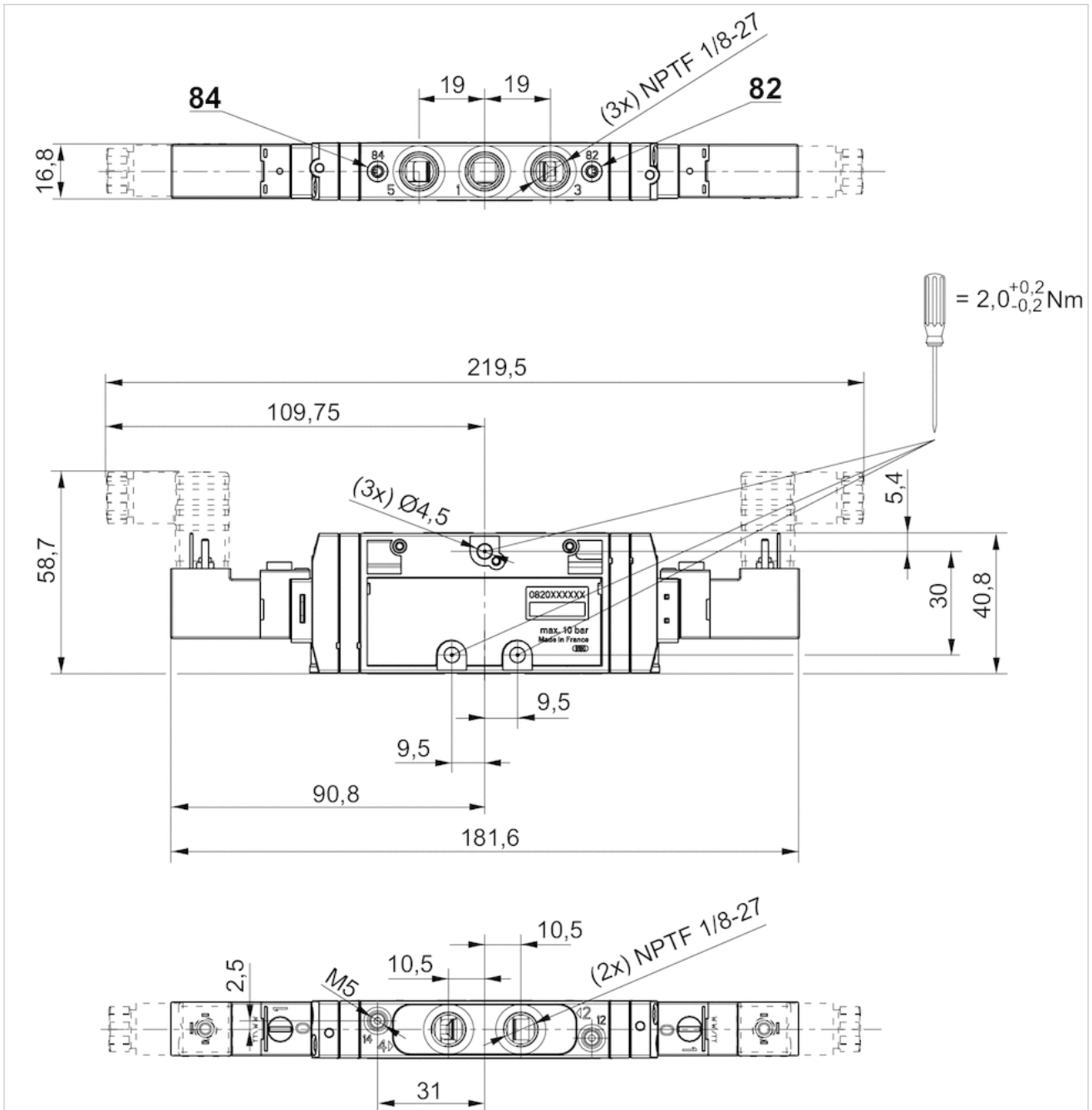
Use only the approved oils from AVENTICS. Further information can be found in the "Technical information" document (available in the MediaCentre).

## Technical information

Material	
Housing	Polyamide, fiber-glass reinforced
Seals	Acrylonitrile butadiene rubber Polyurethane
Front plate	Polyamide, fiber-glass reinforced
Threaded bushing	Brass Die cast zinc, nickel-plated chrome-plated

# Dimensions

## Dimensions in mm



Dimensions in inches

