

# 5/3-directional valve, Series TC08 - inch

- Operating voltage 12 V AC, 110 V AC, 230 V AC
- $Q_n = 700$  l/min
- Pilot valve width : 15 mm
- closed center
- Pipe connection
- Compressed air connection output : 1/8-27 NPTF
- Electrical connection : Plug, ISO 15217, form C
- Manual override : with detent
- Double solenoid
- Pilot : internal external



Version	Spool valve, positive overlapping
Activation	Electrically
Sealing principle	Soft sealing
Working pressure min./max.	See table below
Control pressure min./max.	3 ... 10 bar
Ambient temperature min./max.	-10 ... 50 °C
Medium temperature min./max.	-10 ... 50 °C
Medium	Compressed air
Max. particle size	5 µm
Oil content of compressed air	0 ... 5 mg/m <sup>3</sup>
Nominal flow $Q_n$	700 l/min
Compressed air connection	according to ANSI B1.20.3
Connector standard	ISO 15217
Protection class with connection	IP65
Duty cycle	100 %
Typ. switch-on time	10 ms
Typ. switch-off time	11 ms
Mounting on manifold strip	P-strip
Mounting screw tightening torque	2 Nm
Weight	0,18 kg

## Technical data

Part No.		MO	Compressed air connection	
			Input	Output
R422101224			1/8-27 NPTF	1/8-27 NPTF
R422101226			1/8-27 NPTF	1/8-27 NPTF
R422101227			1/8-27 NPTF	1/8-27 NPTF
R422101228			1/8-27 NPTF	1/8-27 NPTF
R422101230			1/8-27 NPTF	1/8-27 NPTF
R422101231			1/8-27 NPTF	1/8-27 NPTF
R422101232			1/8-27 NPTF	1/8-27 NPTF
R422101234			1/8-27 NPTF	1/8-27 NPTF
R422101235			1/8-27 NPTF	1/8-27 NPTF
R422101236			1/8-27 NPTF	1/8-27 NPTF
R422101238			1/8-27 NPTF	1/8-27 NPTF
R422101239			1/8-27 NPTF	1/8-27 NPTF
R422101240			1/8-27 NPTF	1/8-27 NPTF
R422101242			1/8-27 NPTF	1/8-27 NPTF
R422101243			1/8-27 NPTF	1/8-27 NPTF
R422101244			1/8-27 NPTF	1/8-27 NPTF
R422101246			1/8-27 NPTF	1/8-27 NPTF
R422101247			1/8-27 NPTF	1/8-27 NPTF

Part No.	Compressed air connection	Operationalvoltage	
	Exhaust	DC	AC 50 Hz
R422101224	1/8-27 NPTF	12 V	-
R422101226	1/8-27 NPTF	-	110 V
R422101227	1/8-27 NPTF	-	230 V
R422101228	1/8-27 NPTF	12 V	-
R422101230	1/8-27 NPTF	-	110 V
R422101231	1/8-27 NPTF	-	230 V
R422101232	1/8-27 NPTF	12 V	-
R422101234	1/8-27 NPTF	-	110 V
R422101235	1/8-27 NPTF	-	230 V
R422101236	1/8-27 NPTF	12 V	-
R422101238	1/8-27 NPTF	-	110 V
R422101239	1/8-27 NPTF	-	230 V
R422101240	1/8-27 NPTF	12 V	-
R422101242	1/8-27 NPTF	-	110 V
R422101243	1/8-27 NPTF	-	230 V
R422101244	1/8-27 NPTF	12 V	-
R422101246	1/8-27 NPTF	-	110 V
R422101247	1/8-27 NPTF	-	230 V

Part No.	Operationalvoltage	Voltage tolerance	Voltage tolerance	Voltage tolerance
	AC 60 Hz	DC	AC 50 Hz	AC 60 Hz
R422101224	-	-10% / +10%	-	-
R422101226	-	-	-10% / +10%	-10% / +10%
R422101227	230 V	-	-10% / +10%	-10% / +10%
R422101228	-	-10% / +10%	-	-

Part No.	Operational voltage	Voltage tolerance	Voltage tolerance	Voltage tolerance
	AC 60 Hz	DC	AC 50 Hz	AC 60 Hz
R422101230	-	-	-10% / +10%	-10% / +10%
R422101231	230 V	-	-10% / +10%	-10% / +10%
R422101232	-	-10% / +10%	-	-
R422101234	-	-	-10% / +10%	-10% / +10%
R422101235	230 V	-	-10% / +10%	-10% / +10%
R422101236	-	-10% / +10%	-	-
R422101238	-	-	-10% / +10%	-10% / +10%
R422101239	230 V	-	-10% / +10%	-10% / +10%
R422101240	-	-10% / +10%	-	-
R422101242	-	-	-10% / +10%	-10% / +10%
R422101243	230 V	-	-10% / +10%	-10% / +10%
R422101244	-	-10% / +10%	-	-
R422101246	-	-	-10% / +10%	-10% / +10%
R422101247	230 V	-	-10% / +10%	-10% / +10%

Part No.	Power consumption	Holding power	Holding power	Switch-on power
	DC	AC 50 Hz	AC 60 Hz	AC 50 Hz
R422101224	1,9 W	-	-	-
R422101226	-	1,6 VA	1,4 VA	2,2 VA
R422101227	-	1,6 VA	1,4 VA	2,2 VA
R422101228	1,9 W	-	-	-
R422101230	-	1,6 VA	1,4 VA	2,2 VA
R422101231	-	1,6 VA	1,4 VA	2,2 VA
R422101232	1,9 W	-	-	-
R422101234	-	1,6 VA	1,4 VA	2,2 VA
R422101235	-	1,6 VA	1,4 VA	2,2 VA
R422101236	1,9 W	-	-	-
R422101238	-	1,6 VA	1,4 VA	2,2 VA
R422101239	-	1,6 VA	1,4 VA	2,2 VA
R422101240	1,9 W	-	-	-
R422101242	-	1,6 VA	1,4 VA	2,2 VA
R422101243	-	1,6 VA	1,4 VA	2,2 VA
R422101244	1,9 W	-	-	-
R422101246	-	1,6 VA	1,4 VA	2,2 VA
R422101247	-	1,6 VA	1,4 VA	2,2 VA

Part No.	Switch-on power	Pilot	Flow conductance	Flow conductance	Nominal resistance
	AC 60 Hz		b	C-value	
R422101224	-	internal	0,34	3 l/(s*bar)	185 Ω
R422101226	2 VA	internal	0,34	3 l/(s*bar)	185 Ω
R422101227	2 VA	internal	0,34	3 l/(s*bar)	185 Ω
R422101228	-	external	0,34	3 l/(s*bar)	185 Ω
R422101230	2 VA	external	0,34	3 l/(s*bar)	185 Ω
R422101231	2 VA	external	0,34	3 l/(s*bar)	185 Ω
R422101232	-	internal	0,34	3 l/(s*bar)	185 Ω
R422101234	2 VA	internal	0,34	3 l/(s*bar)	185 Ω
R422101235	2 VA	internal	0,34	3 l/(s*bar)	185 Ω
R422101236	-	external	0,34	3 l/(s*bar)	185 Ω
R422101238	2 VA	external	0,34	3 l/(s*bar)	185 Ω



Part No.	Switch-on power	Pilot	Flow conductance	Flow conductance	Nominal resistance
	AC 60 Hz		b	C-value	
R422101239	2 VA	external	0,34	3 l/(s*bar)	185 Ω
R422101240	-	internal	0,34	3 l/(s*bar)	185 Ω
R422101242	2 VA	internal	0,34	3 l/(s*bar)	185 Ω
R422101243	2 VA	internal	0,34	3 l/(s*bar)	185 Ω
R422101244	-	external	0,34	3 l/(s*bar)	185 Ω
R422101246	2 VA	external	0,34	3 l/(s*bar)	185 Ω
R422101247	2 VA	external	0,34	3 l/(s*bar)	185 Ω

Nominal flow Qn at 6 bar and  $\Delta p = 1$  bar, MO = Manual override

## Technical information

The min. control pressure must be adhered to, since otherwise faulty switching and valve failure may result!

The pressure dew point must be at least 15 °C under ambient and medium temperature and may not exceed 3 °C .

The oil content of compressed air must remain constant during the life cycle.

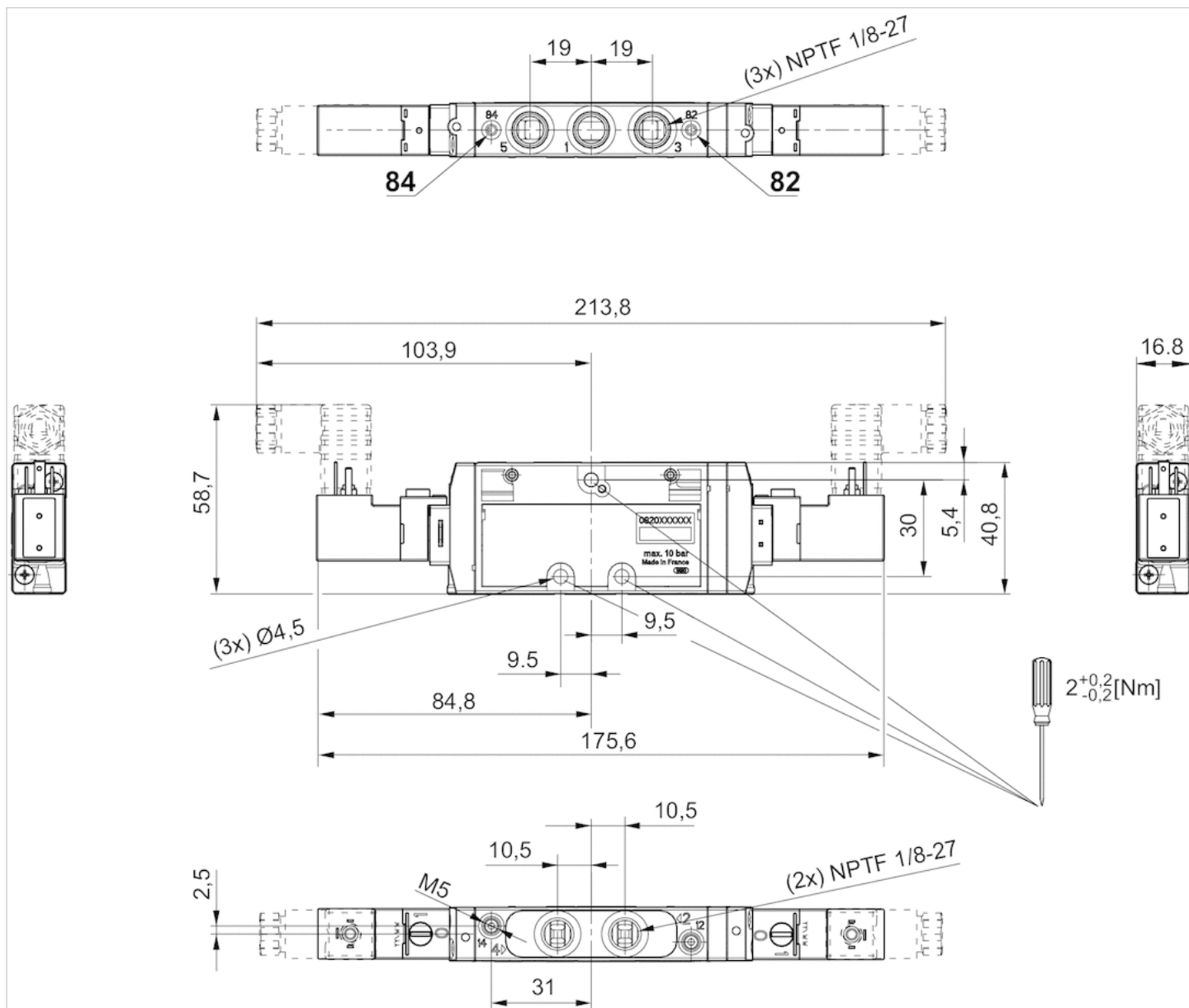
Use only the approved oils from AVENTICS. Further information can be found in the "Technical information" document (available in the MediaCentre).

## Technical information

Material	
Housing	Polyamide, fiber-glass reinforced
Seals	Acrylonitrile butadiene rubber Polyurethane
Front plate	Polyamide, fiber-glass reinforced
Threaded bushing	Brass Die cast zinc, nickel-plated chrome-plated

# Dimensions

## Dimensions in mm



Dimensions in inches

