

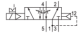

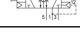
5/2-directional valve, Series 740-CP

- Qn = 950 l/min
- Pipe connection
- Compressed air connection output : Ø 10x1
- Electrical connection : Plug, EN 175301-803, form A
- corrosion-protected
- Can be assembled into blocks
- Manual override : with detent, without detent
- single solenoid
- with air spring return
- Pilot : internal



Version	Diaphragm poppet valve
Activation	Electrically
Pilot	internal
Sealing principle	Soft sealing
Blocking principle	Plate principle Single base plate principle
Working pressure min./max.	2 ... 10 bar
Ambient temperature min./max.	-25 ... 50 °C
Medium temperature min./max.	-25 ... 50 °C
Medium	Compressed air
Max. particle size	50 µm
Oil content of compressed air	0 ... 5 mg/m ³
Nominal flow Qn	950 l/min
Connector standard	EN 175301-803:2006
Protection class with connection	IP65
Reverse polarity protection	Protected against polarity reversal
Compatibility index	See table below
Duty cycle	100 %
Typ. switch-on time	17 ms
Typ. switch-off time	24 ms
Mounting on manifold strip	PRS strip
Weight	See table below

Technical data

Part No.		MO	Compressed air connection	
			Input	Output
5727940220		TTR-TTR-TTR-	Ø 10x1	Ø 10x1
5727945280			Ø 10x1	Ø 10x1
5727945302			Ø 10x1	Ø 10x1

Part No.	Compressed air connection		Operational voltage	
	Exhaust		DC	AC 50 Hz
5727940220	M14x1		24 V	-
5727945280	M14x1		-	230 V
5727945302	M14x1		-	-

Part No.	Operational voltage		Voltage tolerance	
	AC 60 Hz	DC	AC 50 Hz	AC 60 Hz
5727940220	-	-10% / +10%	-	-
5727945280	230 V	-	-20% / +10%	-10% / +20%
5727945302	-	-	-	-

Part No.	Power consumption		Holding power		Switch-on power
	DC	AC 50 Hz	AC 60 Hz	AC 50 Hz	AC 50 Hz
5727940220	2,1 W	-	-	-	-
5727945280	2,1 W	4,18 VA	3,3 VA	6,6 VA	
5727945302	2,1 W	-	-	-	-

Part No.	Switch-on power		Compatibility index	Throttle	With valve plug connector	
	AC 60 Hz					
5727940220	-		13 14	with throttle	Without valve plug connector	
5727945280	5,5 VA		14	with throttle	Without valve plug connector	
5727945302	-		14	with throttle	-	

Nominal flow Qn at 6 bar and $\Delta p = 1$ bar, MO = Manual override

Technical information

The min. control pressure must be adhered to, since otherwise faulty switching and valve failure may result!
The pressure dew point must be at least 15 °C under ambient and medium temperature and may not exceed 3 °C .
The oil content of compressed air must remain constant during the life cycle.
Use only the approved oils from AVENTICS. Further information can be found in the "Technical information" document (available in the MediaCentre).

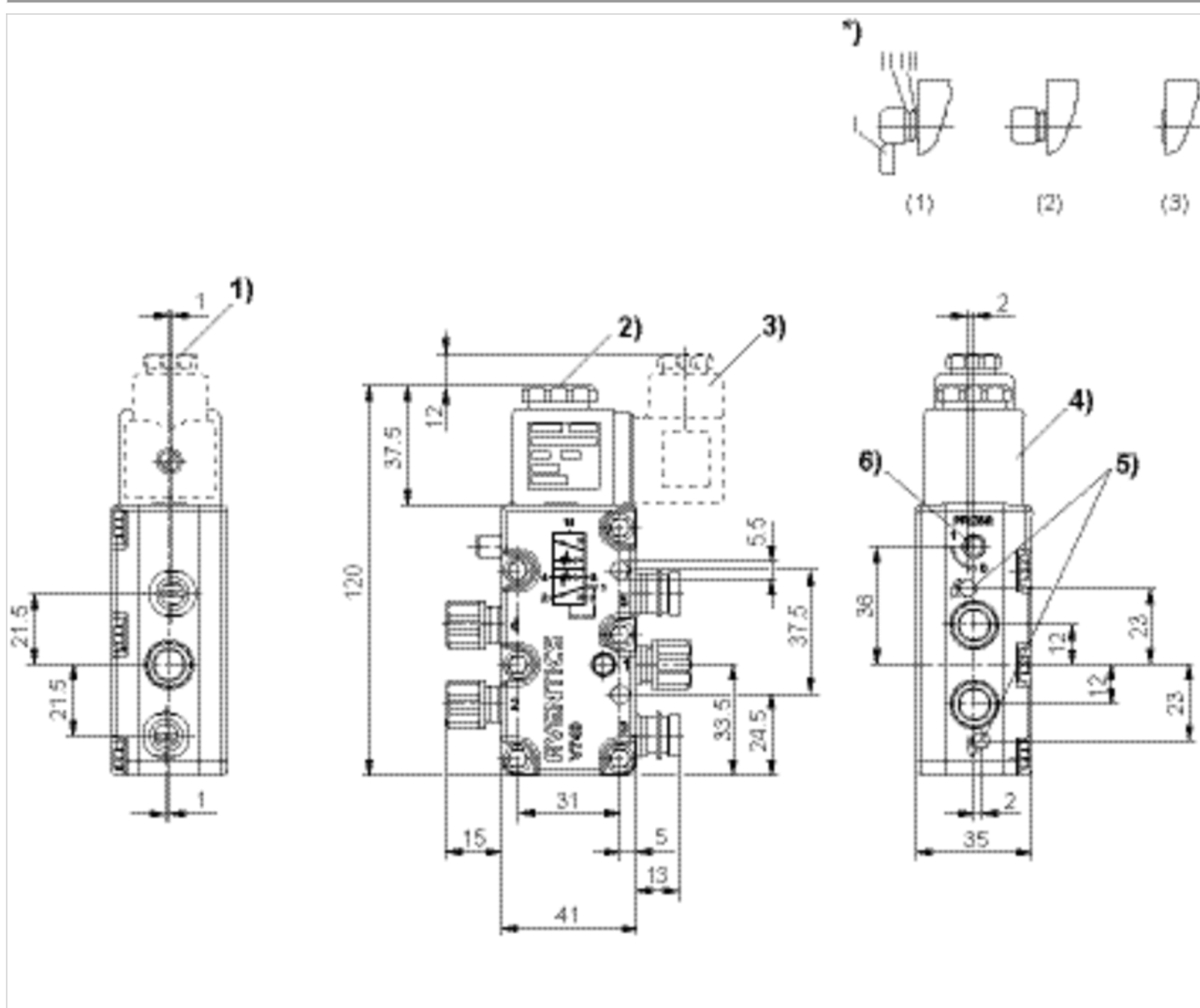
ATEX optional: ATEX version can be produced by combining the basic valve without coil with an ATEX coil. ATEX ID: see ATEX coils catalog page.

Technical information

Material	
Housing	Polyoxymethylene
Seals	Acrylonitrile butadiene rubber
Front plate	Polyarylamide

Dimensions

Dimensions



1) Gland fitting M16x1.52) M5 internal thread accessible under cap3) Valve plug connector can be rotated at 90° intervals4) Coil can be plugged at 45° intervals5) Flow control screw for exhausts 5 (R) and 3 (S)6) Manual override and position indicator*) Manual override: Manual actuation: (1) with detent - push and turn into position 1 (2) without detent - remove segment I - push only Actuation with tool: (3) with detent - remove segments up to II - push with tool and turn into position 1