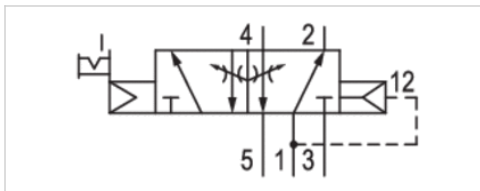



5/2-directional valve, Series 740-BV

- Qn = 700 l/min
- Pipe connection
- Electrical connection : Plug, EN 175301-803, form A
- Can be assembled into blocks
- Manual override : with detent
- single solenoid
- with air spring return
- Pilot : internal



Version	Diaphragm poppet valve
Activation	Electrically
Pilot	internal
Sealing principle	Soft sealing
Blocking principle	Single base plate principle Plate principle
Working pressure min./max.	1,5 ... 10 bar
Ambient temperature min./max.	-25 ... 50 °C
Medium temperature min./max.	-25 ... 50 °C
Medium	Compressed air
Max. particle size	50 µm
Oil content of compressed air	0 ... 5 mg/m ³
Nominal flow Qn	700 l/min
Protection class with connection	IP65
Reverse polarity protection	Protected against polarity reversal
Compatibility index	14
Duty cycle	100 %
Typ. switch-on time	16 ms
Typ. switch-off time	35 ms
Mounting on manifold strip	PRS strip
Weight	0,221 kg

Technical data

Part No.	MO	Compressed air connection		Operationalvoltage	
		Input		DC	AC 50 Hz
R412009690		Ø 8x1		24 V	230 V

Part No.	Operationalvoltage		Voltage tolerance	
	AC 60 Hz	DC	AC 50 Hz	AC 60 Hz
R412009690	230 V	-10% / +10%	-20% / +10%	-10% / +20%

Part No.	Power consumption		Holding power		Switch-on power
	DC	AC 50 Hz	AC 50 Hz	AC 60 Hz	AC 50 Hz
R412009690	2,14 W	4,18 VA	3,3 VA		6,6 VA

Part No.	Switch-on power		Throttle	basic valve with electrical connector
	AC 60 Hz			
R412009690	5,5 VA		with throttle	Basic valve without coil

Nominal flow Qn at 6 bar and $\Delta p = 1$ bar, MO = Manual override

order quantity 25 pcs.



Technical information

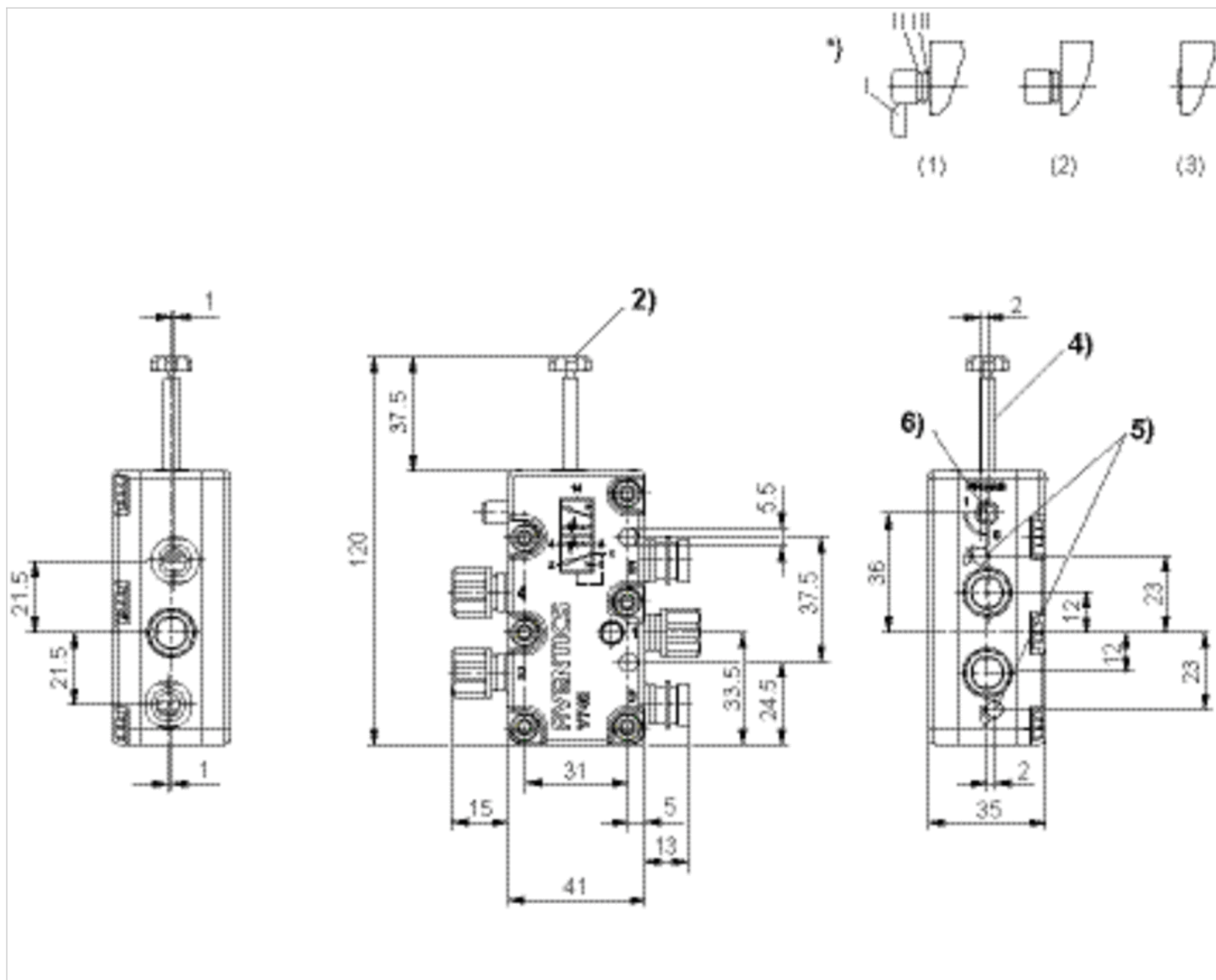
The min. control pressure must be adhered to, since otherwise faulty switching and valve failure may result!
 The pressure dew point must be at least 15 °C under ambient and medium temperature and may not exceed 3 °C .
 The oil content of compressed air must remain constant during the life cycle.
 Use only the approved oils from AVENTICS. Further information can be found in the "Technical information" document (available in the MediaCentre).

Technical information

Material	
Housing	Polyoxymethylene Polyarylamide
Seals	Acrylonitrile butadiene rubber

Dimensions

Dimensions



2) M 5 internal thread 4) coil can be plugged at 45° intervals 5) throttle screw for exhausts 5 (R) and 3 (S) (S) 6) manual override and position indicator*) : manual override: manual actuation: (1) with detent - push and turn into position 1 (2) without detent - remove segment 1 - push only actuation by tool: (3) with detent - remove segments up to III - push with tool and turn into position 1