

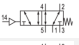
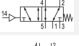

5/2-directional valve, Series CD07

- Qn = 1200 l/min
- Compressed air connection output M14x1,5
- Pipe connection
- suitable for ATEX



Version	Spool valve, positive overlapping
Activation	Pneumatically
Sealing principle	Soft sealing
Flow rate value Qn	1200 l/min
Working pressure min./max.	-0,95 ... 10 bar
Control pressure min./max.	See table below
Ambient temperature min./max.	-25 ... 80 °C
Medium temperature min./max.	-25 ... 80 °C
Medium	Compressed air
Max. particle size	50 µm
Oil content of compressed air	0 ... 1 mg/m ³
Mounting on manifold strip	P-strip PRS strip
Weight	0,5 kg

Technical data

Part No.		Compressed air connection	
		Input	Output
5710500000		M14x1,5	M14x1,5
5710509300		M14x1,5	M14x1,5
5710501000		M14x1,5	M14x1,5

Part No.	Compressed air connection		Control pressure min./max.
	Exhaust	Pilot control exhaust	
5710500000	M14x1,5	M10x1	3 ... 10 bar
5710509300	M14x1,5	M10x1	3 ... 10 bar
5710501000	M14x1,5	M10x1	2 ... 10 bar

Part No.	Part No.
5710500000	-
5710509300	1)
5710501000	-

Nominal flow Qn at 6 bar and $\Delta p = 1$ bar

1) Protected against dust

Technical information

The min. control pressure must be adhered to, since otherwise faulty switching and valve failure may result!

The pressure dew point must be at least 15 °C under ambient and medium temperature and may not exceed 3 °C .

The oil content of compressed air must remain constant during the life cycle.

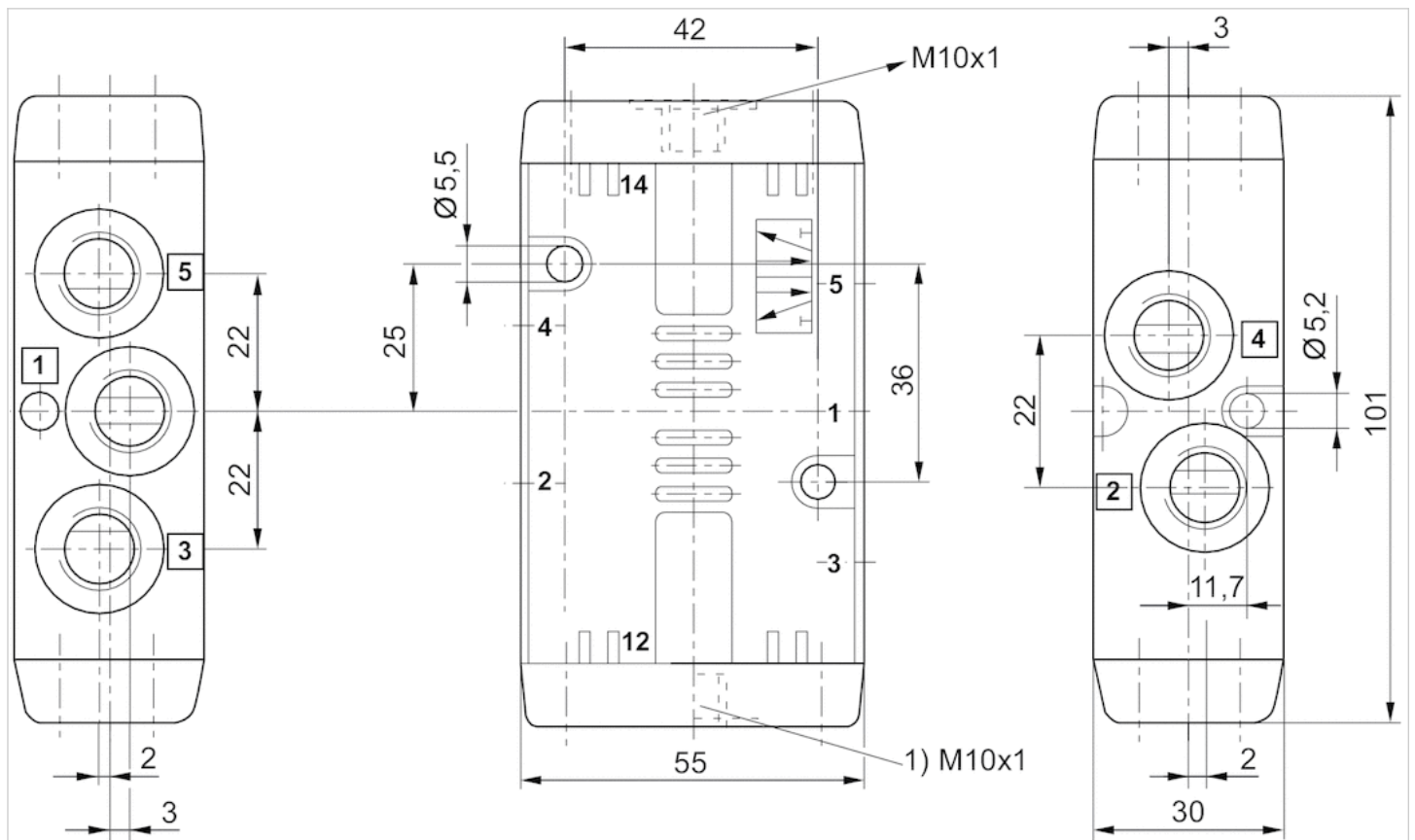
Use only the approved oils from AVENTICS. Further information can be found in the "Technical information" document (available in the MediaCentre).

Technical information

Material	
Housing	Die cast zinc
Seals	Acrylonitrile butadiene rubber

Dimensions

Dimensions



1) Part No.: 5710501000