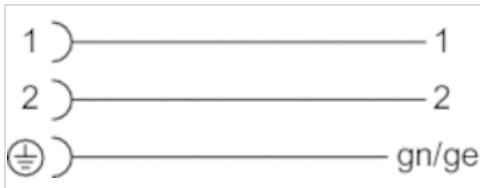


# Valve plug connector, series CON-VP

- Socket Form B, industry 2+E angled 90°
- open cable ends 3-pin
- with cable
- unshielded



Ambient temperature min./max.	-20 ... 80 °C
Protection class	IP67
Wire cross-section	0,75 mm <sup>2</sup>
Mounting screw tightening torque	0,4 Nm
Weight	0,02 kg



## Technical data

Part No.	Max. current	Contact assignment	Number of wires	Cable-Ø	Cable length
8946201912	4 A	2+E	3	5,9 mm	3 m

## Technical information

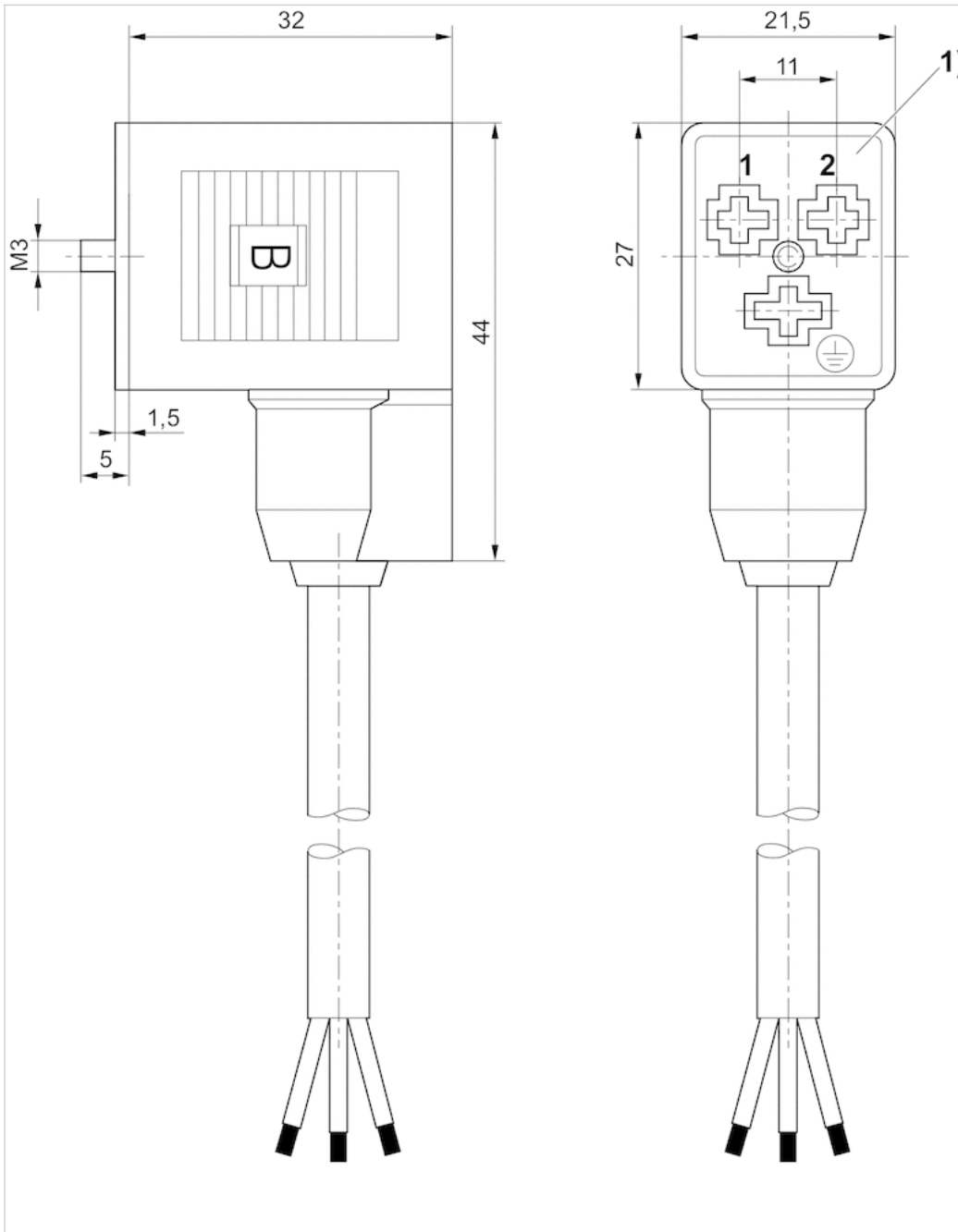
For security reasons, the valve plug connector must be plugged properly and centrally.  
The specified protection class is only valid in assembled and tested state.

## Technical information

Material	
Cable sheath	Polyvinyl chloride

# Dimensions

## Dimensions



1) 0° female insert