

# Round plug connector, Series CON-RD

- Socket, M12x1, 4-pin, A-coded, straight, 180°
- UL (Underwriters Laboratories)
- unshielded



Connection type	Screws
Ambient temperature min./max.	-25 ... 90 °C
Operational voltage	48 V AC/DC
Protection class	IP67
Weight	0,029 kg

The delivered product may vary from that in the illustration.

## Technical data

Part No.	Max. current	suitable cable-Ø min./max
8941054324	4 A	4 mm

## Technical information

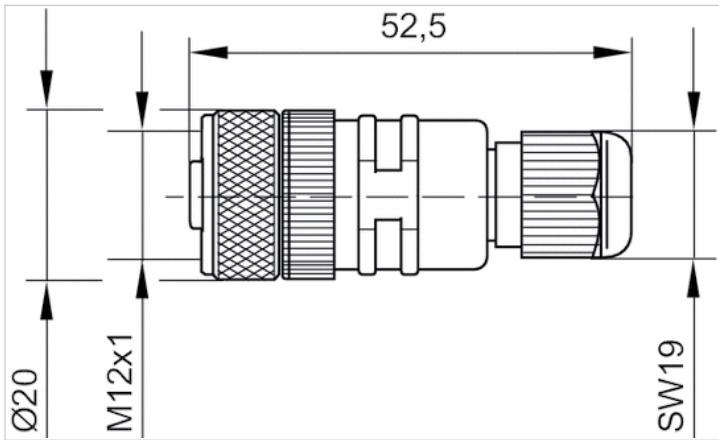
The specified protection class is only valid in assembled and tested state.

## Technical information

Material	
Housing	Polybutyleneterephthalate
Seals	Fluorocarbon caoutchouc

## Dimensions

### Dimensions



## Pin assignments

### Pin assignment socket

