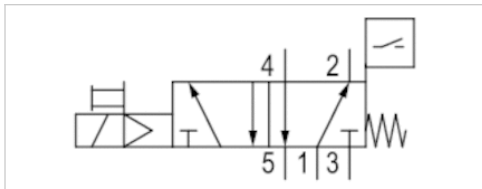


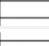





5/2-directional valve, Series IS12-PD, size 1

- ISO 5599-1
- ISO 1
- 5/2
- With spring return
- $Q_n = 1060 \text{ l/min}$
- Compressed air connection output Base plate DIN ISO 5599 size 1
- Electrical connection Plug, EN 175301-803, form A
- Manual override without detent



Version	Spool valve, positive overlapping
Sealing principle	Soft sealing
Blocking principle	Single base plate principle
Connection type	Plate connection
Standards	ISO 5599-1, ISO 1
Working pressure min./max.	See table
Control pressure min./max.	3 ... 10 bar
Ambient temperature min./max.	0 ... 50 °C
Medium temperature min./max.	0 ... 50 °C
Medium	Compressed air
Max. particle size	5 µm
Oil content of compressed air	0 ... 0,01 mg/m ³
Nominal flow Q_n	1060 l/min
Protection class with connection	IP65
Compatibility index	15
Duty cycle	100 %
Switch-on time max.	18 ms
Switch-off time max.	40 ms
Version sensor	electronic PNP, with LED
Sensor connection	Plug, M8, 3-pin, with knurled screw
Operating voltage sensor DC min./max.	10 ... 30 V DC
Voltage drop sensor U at I_{max}	≤ 2,5 V
Vibration resistance sensor	10 - 55 Hz, 1 mm
Shock resistance sensor	30 g / 11 ms
Cable length sensor	0,3 m
Protection class sensor acc. to DIN EN 61140	Class III
Mounting screw	M5 with hexagon socket
Weight	See table

Technical data

Part No.		MO	Operational voltage DC	Voltage tolerance DC	Power consumption DC
R422002522			-	-	-
R422002521			24 V	-10% / +10%	4,4 W
R422102676			24 V	-10% / +10%	4,5 W
R422102678			24 V	-10% / +10%	4,4 W
R422002645		-	-	-	-
R422002578			-	-	-
R422002577			24 V	-10% / +10%	4,4 W
R422102677			24 V	-10% / +10%	4,5 W
R422102679			24 V	-10% / +10%	4,4 W
R422002646		-	-	-	-

Part No.	Pilot	Working pressure min./max.	Compatibility index
R422002522	internal	3 ... 10 bar	15
R422002521	internal	3 ... 10 bar	15
R422102676	internal	3 ... 10 bar	15
R422102678	internal	3 ... 10 bar	15
R422002645	internal	3 ... 10 bar	15
R422002578	external	-0,9 ... 10 bar	15
R422002577	external	-0,9 ... 10 bar	15
R422102677	external	-0,9 ... 10 bar	15
R422102679	external	-0,9 ... 10 bar	15
R422002646	external	-0,9 ... 10 bar	15

Part No.	Electrical connection Pilot valve	basic valve with electrical connector	Weight	Fig.
R422002522	-	Basic valve without coil	0,315 kg	Fig. 1
R422002521	Plug EN 175301-803, form A	-	0,41 kg	Fig. 1
R422102676	Plug M12	-	0,41 kg	Fig. 2
R422102678	Plug EN 175301-803, form A	-	0,41 kg	Fig. 1
R422002645	-	Basic valve without coil	0,315 kg	Fig. 1
R422002578	-	Basic valve without coil	0,315 kg	Fig. 1
R422002577	Plug EN 175301-803, form A	-	0,41 kg	Fig. 1
R422102677	Plug M12	-	0,41 kg	Fig. 2
R422102679	Plug EN 175301-803, form A	-	0,41 kg	Fig. 1
R422002646	-	Basic valve without coil	0,315 kg	Fig. 1

Part No.	
R422002522	-
R422002521	-
R422102676	-
R422102678	1)
R422002645	-



Part No.	
R422002578	-
R422002577	-
R422102677	-
R422102679	1)
R422002646	-

Technical information

The min. control pressure must be adhered to, since otherwise faulty switching and valve failure may result!
 The pressure dew point must be at least 15 °C under ambient and medium temperature and may not exceed 3 °C .
 The oil content of compressed air must remain constant during the life cycle.
 Use only the approved oils from AVENTICS. Further information can be found in the "Technical information" document (available in the MediaCentre).

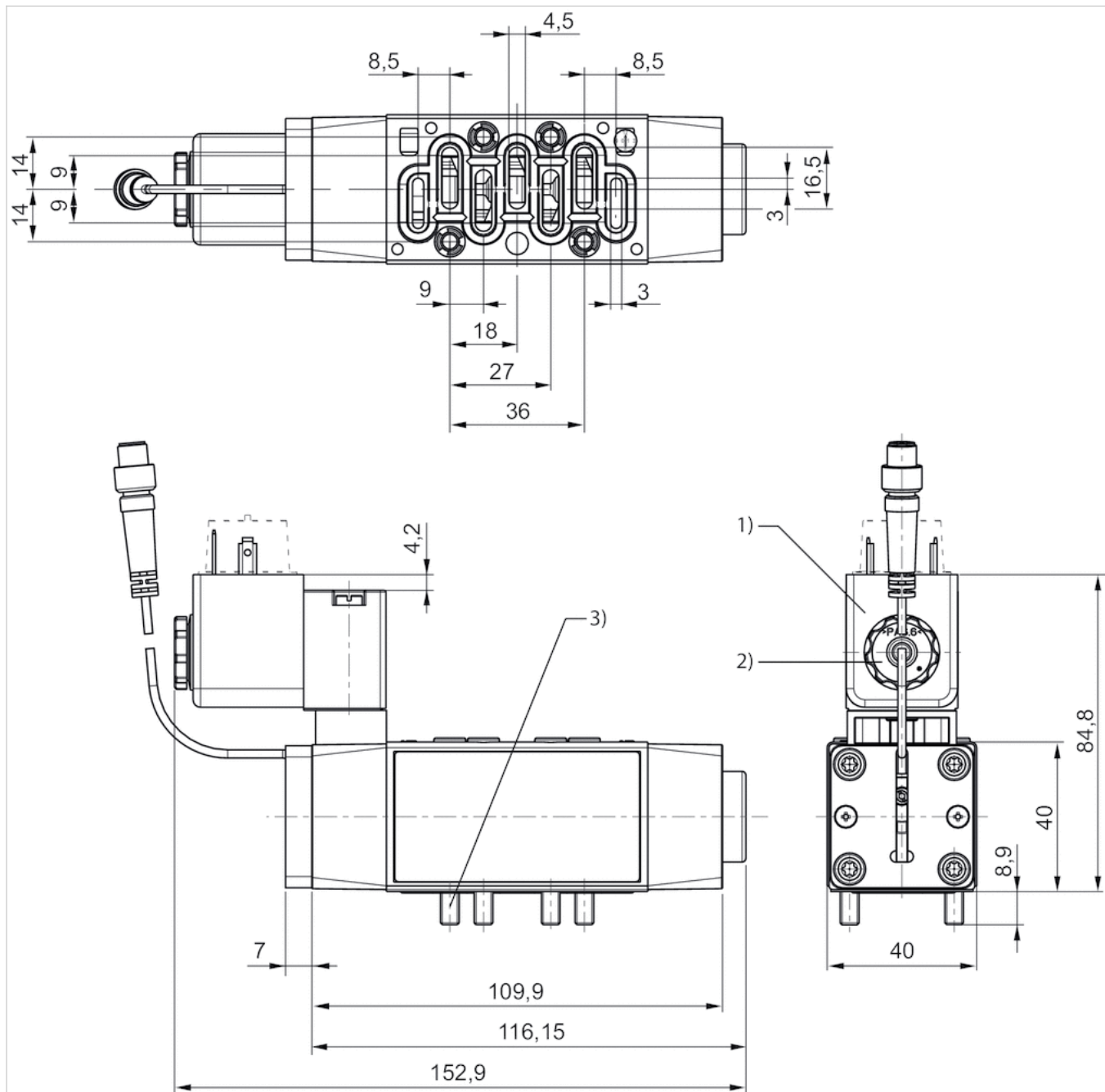
When the valve is not actuated, the sensor sends a signal through pin 4 of the sensor connection.
 When the valve is actuated, the sensor does not send a signal through pin 4 of the sensor connection.
 The valve with position detection is possible to be used in categories 3 and 4 according to ISO 13849 in order to reach a Performance Level (PL) of the control system up to PL = e.
 On its own, the valve with position detection is not a safety component and is not a complete safety solution. It is designed to increase the diagnostic coverage (DC) of the control system.
 For use in categories 3 to 4, additional requirements of DIN EN ISO 13849-1:2008-12 (e.g. CCF, DC, PLr, software, systematic errors) are taken into consideration by the user.

Technical information

Housing	Polyamide Aluminum
Seals	Acrylonitrile butadiene rubber

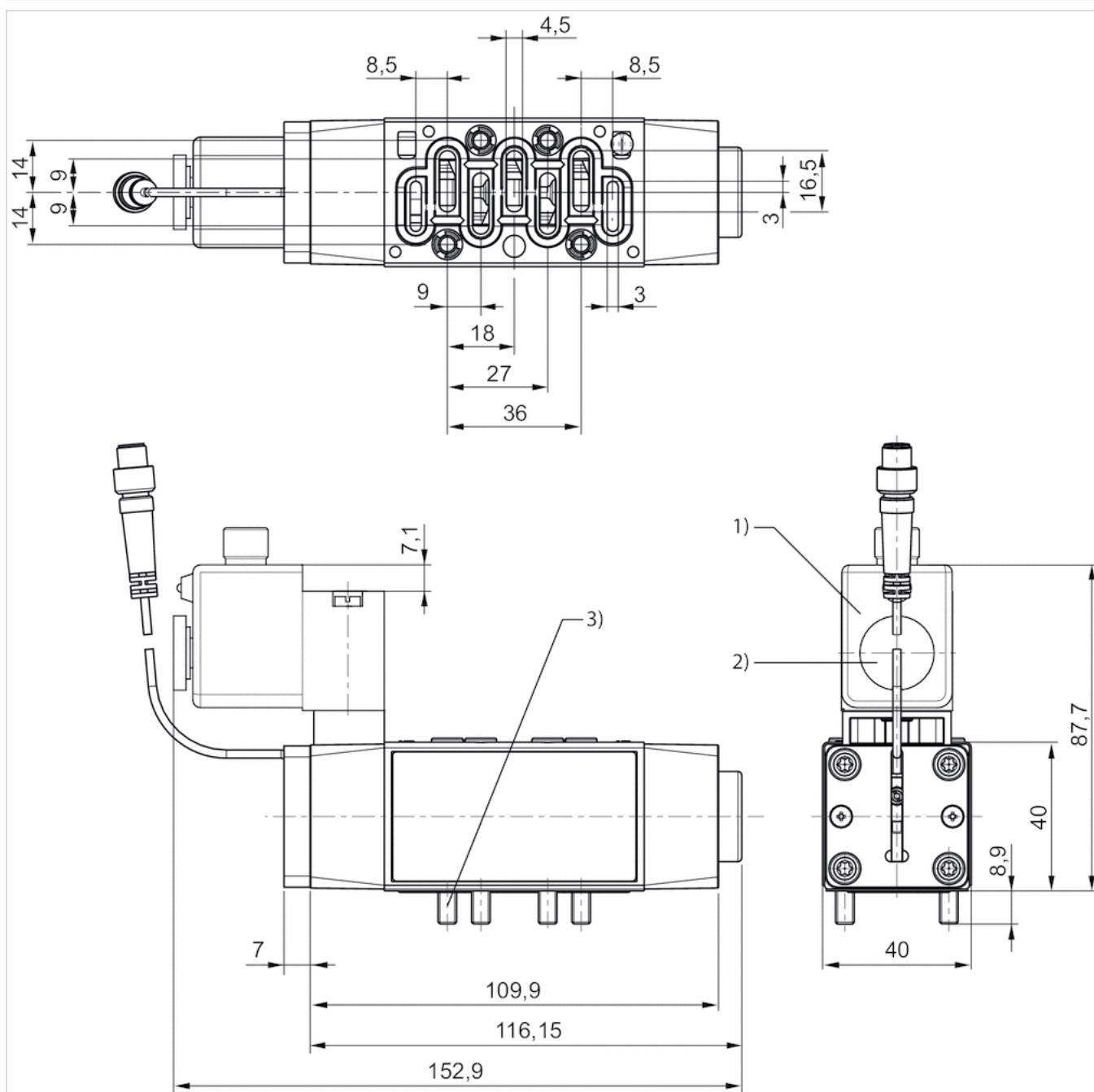
Dimensions

Dimensions Fig. 1



- 1) Adjustable coil 5x45°
- 2) Tightening torque for lock nut: $0.6 + 0.2$ Nm
- 3) Tightening torque for mounting screws: 2.2 ± 0.2 Nm

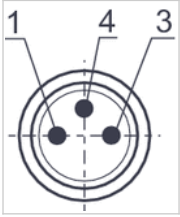
Dimensions Fig. 2



- 1) Adjustable coil 5x45°
- 2) Tightening torque for lock nut: 0.6 + 0.2 Nm
- 3) Tightening torque for mounting screws: 2.2 ± 0.2 Nm

Pin assignments

PIN assignment sensor



Pin assignment: 1 = (+) 3 = (-) 4 = (OUT)