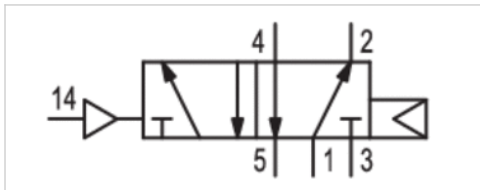


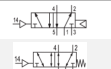

# 5/2-directional valve, Series IS12, size 2

- Single air pilot
- $Q_n = 2500$  l/min
- Plate connection
- Compressed air connection output Base plate ISO 5599-1



Version	Spool valve, positive overlapping external
Pilot	Single base plate principle
Blocking principle	Soft sealing
Sealing principle	Plate connection
Connection type	ISO 5599-1, ISO 2
Standards	2500 l/min
Nominal flow $Q_n$	Base plate ISO 5599-1
Compressed air connection version pneumatic port	Base plate ISO 5599-1
Working pressure min./max.	See table
Control pressure min./max.	See table
Ambient temperature min./max.	0 ... 80 °C
Medium temperature min./max.	0 ... 80 °C
Medium	Compressed air Class 5-4-4 class 6-4-3
Max. particle size	5 $\mu\text{m}$
Oil content of compressed air	0 ... 5 mg/m <sup>3</sup>
Mounting screw	M6 with hexagon socket
Mounting screw tightening torque	4 Nm
Weight	See table

## Technical data

Part No.		version pneumatic port	Working pressure min./max.	Control pressure min./max.
0820225101		Base plate ISO 5599-1	2 ... 10 bar	2 ... 10 bar
0820225102		Base plate ISO 5599-1	-0,9 ... 10 bar	2,5 ... 10 bar

Part No.	Weight	
0820225101	0,48 kg	1)
0820225102	0,46 kg	-

## Technical information

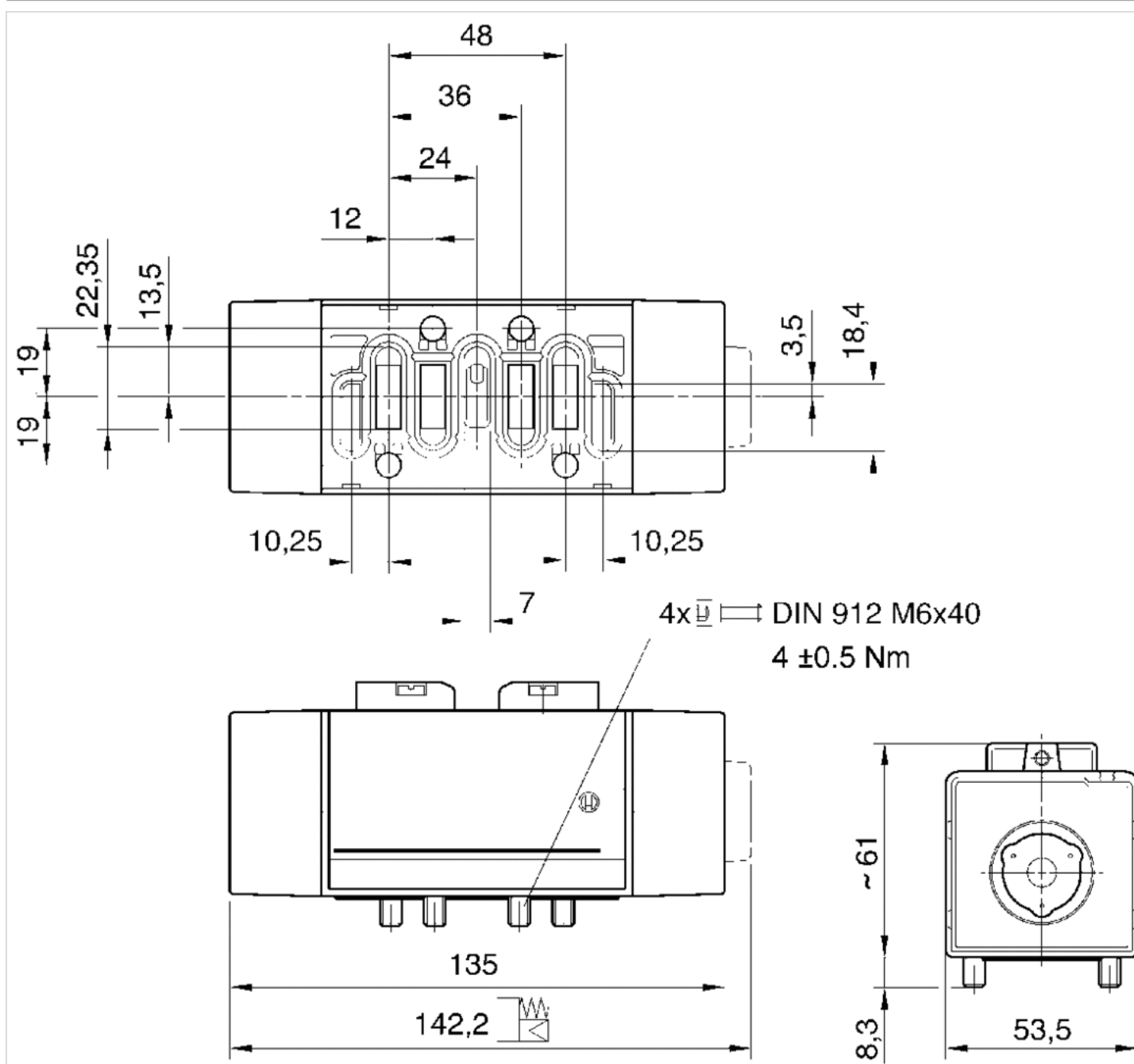
The min. control pressure must be adhered to, since otherwise faulty switching and valve failure may result!  
 The pressure dew point must be at least 15 °C under ambient and medium temperature and may not exceed 3 °C .  
 The oil content of compressed air must remain constant during the life cycle.  
 Use only the approved oils from AVENTICS. Further information can be found in the "Technical information" document (available in the MediaCentre).

## Technical information

Housing	Polyamide
Seals	Acrylonitrile butadiene rubber
Front plate	Polyamide

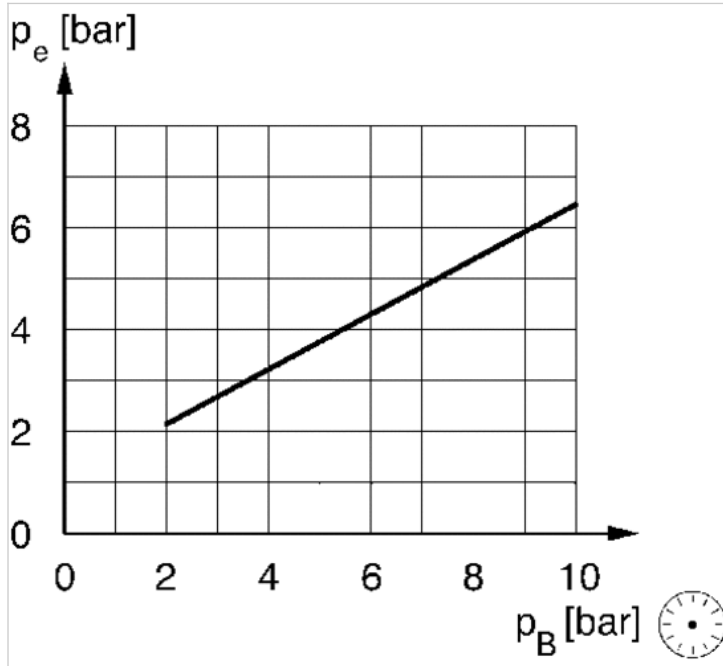
## Dimensions

### Dimensions



# Diagrams

## External pilot pressure



$p_e$  = external control pressure, min.  
 $P$  = Working pressure