

Valve plug connector, series CON-VP

- Socket, form A, 2+E, angled, 90°
- EN 175301-803
- unshielded
- with LED Yellow



Connection type	Screws
Ambient temperature min./max.	-40 ... 90 °C
Operational voltage	See table
Protection class	IP65
Mounting screw tightening torque	0,4 Nm
Weight	See table

Technical data



Part No.		Electrical connection	Operational voltage	Max. current
		1		
1834484048		Socket form A 2+E angled 90°	300 V DC	10 A
1834484059		Socket form A 3+E angled 90°	300 V DC	10 A
1834484101		Socket form A 2+E angled 90°	24 V AC/DC	-
1834484102		Socket form A 2+E angled 90°	110 V AC	-
1834484103		Socket form A 2+E angled 90°	230 V AC	-
8941016112		Socket form A 2+E angled 90°	230 V AC	-
8941012462		Socket form A 3+E angled 90°	24 V DC	8 A

Part No.	Protective circuit	Contact assignment	LED status display	suitable cable-Ø min./max
1834484048	-	2+E	-	6 / 8 mm
1834484059	-	3+E	-	6 / 8 mm
1834484101	Z-diode	2+E	Yellow	6 / 8 mm
1834484102	Varistor	2+E	Red	6 / 8 mm
1834484103	Varistor	2+E	Red	6 / 8 mm
8941016112	Varistor	2+E	Green	6 / 10 mm
8941012462	-	3+E	green/red	4,5 / 11 mm

Part No.	Seal	Weight	
1834484048	caoutchouc/butadiene caoutchouc	0,03 kg	1)
1834484059	caoutchouc/butadiene caoutchouc	0,03 kg	1)
1834484101	Silicone caoutchouc	0,03 kg	2)
1834484102	caoutchouc/butadiene caoutchouc	0,03 kg	1)
1834484103	Silicone caoutchouc	0,025 kg	1)
8941016112	caoutchouc/butadiene caoutchouc	0,03 kg	1)
8941012462	caoutchouc/butadiene caoutchouc	0,03 kg	-

Technical information

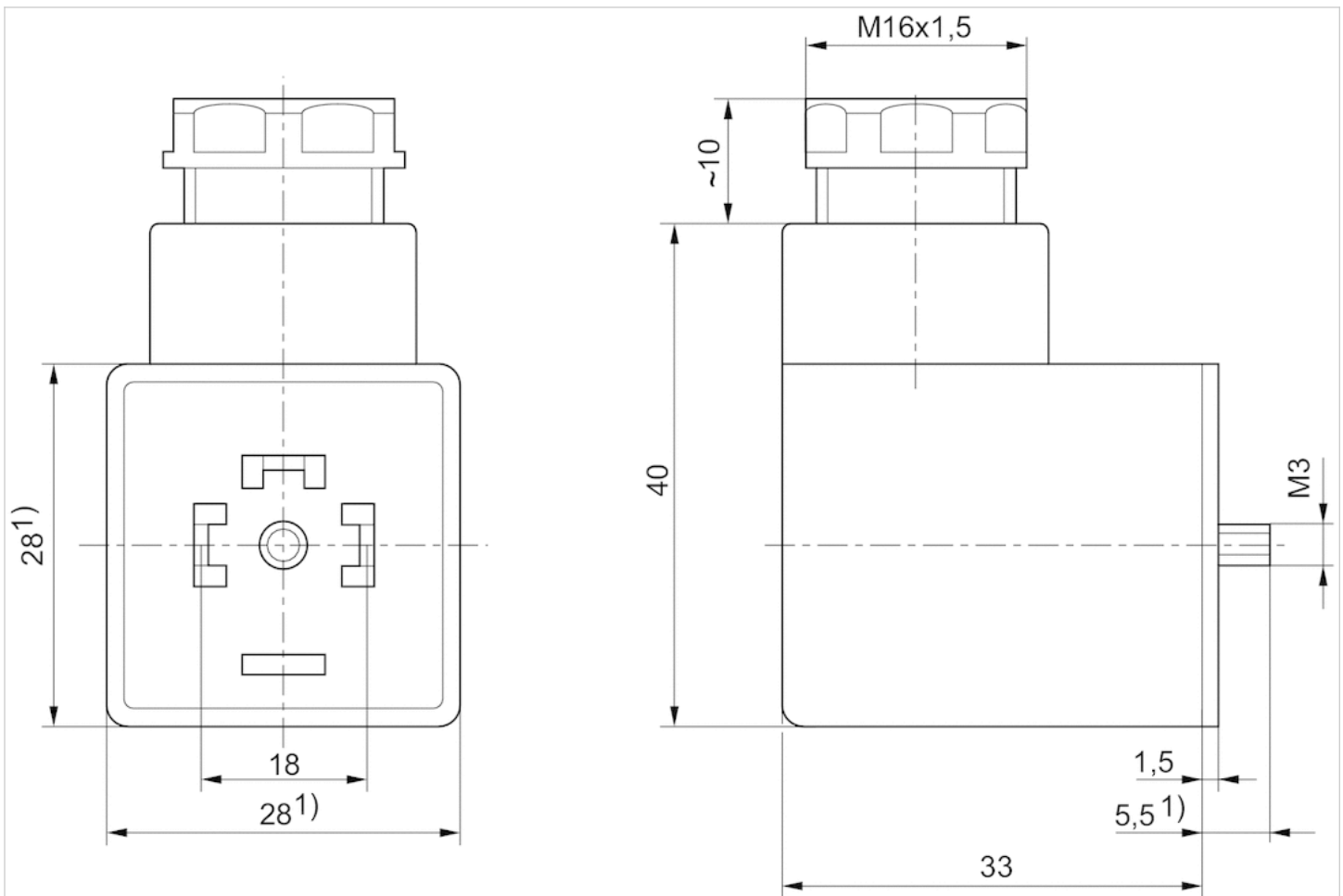
The specified protection class is only valid in assembled and tested state.

Technical information

Material	
Seals	caoutchouc/butadiene caoutchouc Silicone caoutchouc

Dimensions

Dimensions



1) Max.