

Y-connector, Series CN2

- 2, Socket, M12x1, 5-pin

- 1, Plug, M12x1, 5-pin



Ambient temperature min./max.	-25 ... 85 °C
Operational voltage	48 V AC/DC
Protection class	IP65
Weight	0,035 kg

Technical data

Part No.	Max. current
R419800162	4 A

Technical information

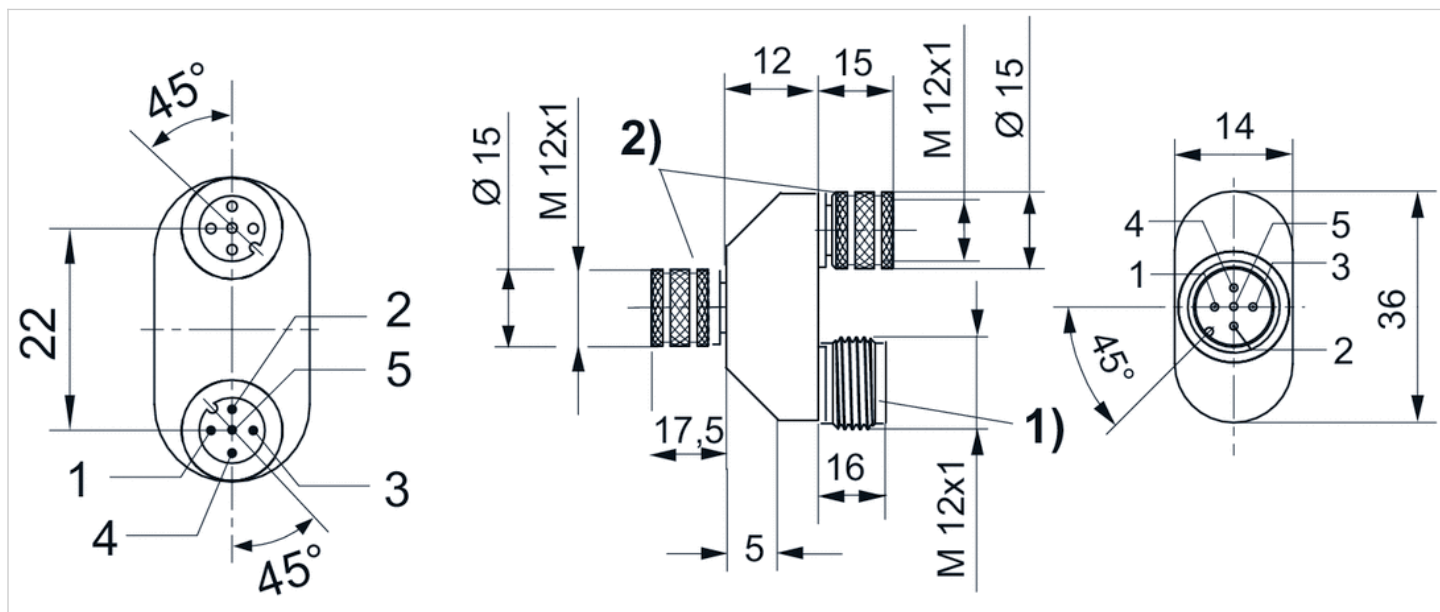
The specified protection class is only valid in assembled and tested state.

Technical information

Material	
Housing	Polyurethane
Seals	Fluorocaoutchouc

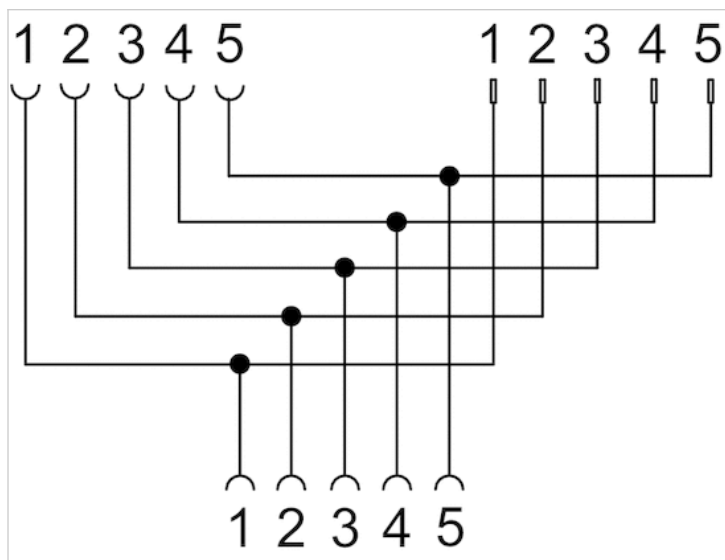
Dimensions

Dimensions



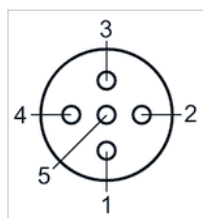
- 1) Plug
- 2) Socket

Assignment scheme



Pin assignments

Pin assignment socket



Plug pin assignment

