

Detachable Clevis (MP2 mount)

- corrosion-resistant
- Cylinder mounting in accordance with ISO 15552
- Suitable piston \varnothing 32 mm



Standards
Weight

ISO 15552
See table

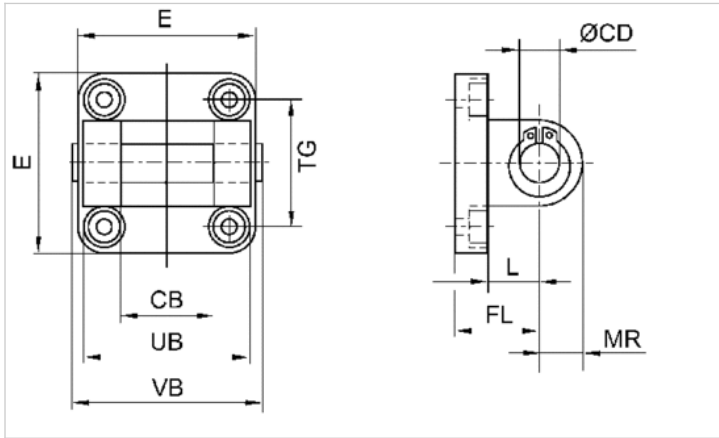
Technical data

Part No.	Piston \varnothing	Hole \varnothing	Weight
3682903590	32 mm	10 mm	0,107 kg
3682904590	40 mm	12 mm	0,157 kg
3682905590	50 mm	12 mm	0,232 kg
3682906590	63 mm	16 mm	0,345 kg
3682908590	80 mm	16 mm	0,574 kg
3682910590	100 mm	20 mm	0,88 kg
R412025571	125 mm	20 mm	1,72 kg

Technical information

Material	
Material	Aluminum (forged) anodized
Screws	Stainless steel
Bearing	Plastic

Dimensions



Dimensions

Part No.	CB H14	Ø CD H9	E 1)	FL	L 2)	MR	UB h14	VB	TG	Screws
3682903590	26	10	47	22 ±0,2	12	10	45	50	32,5 ±0,2	Stainless steel
3682904590	28	12	54	25 ±0,2	15	12	52	57	38,0 ±0,2	Stainless steel
3682905590	32	12	65	27 ±0,2	15	12	60	65	46,5 ±0,2	Stainless steel
3682906590	40	16	75	32 ±0,2	20	15	70	76	56,5 ±0,2	Stainless steel
3682908590	50	16	94	36 ±0,2	20	17	90	96	72,0 ±0,2	Stainless steel
3682910590	60	20	112	41 ±0,2	25	21	110	117	89,0 ±0,2	Stainless steel
R412025571	70	25	138	50	30	26	130	140	110,0 ±0,3	Stainless steel

Bearing
Plastic
Plastic
Plastic
Plastic
Plastic
Plastic
Plastic

1) Max.

2) Min.