

Vacuum filter Inline, Series VFI

- filter porosity 50 µm



Version	Vacuum filter
Ambient temperature min./max.	0 ... 50 °C
Medium	Compressed air
Filter element	exchangeable
filter porosity	50 µm
Mounting	installing in piping
max. overpressure at 25° C	7 bar
max. overpressure at 50°C	5 bar
Max. vacuum level at p.opt	99 %
Weight	See table

Technical data

Part No.	Type	External Ø	Internal Ø	Qn	Weight
R412010112	VFI-6/4	6 mm	4 mm	32 l/min	0,007 kg
R412010113	VFI-8/6	8 mm	6 mm	66 l/min	0,012 kg

Technical information

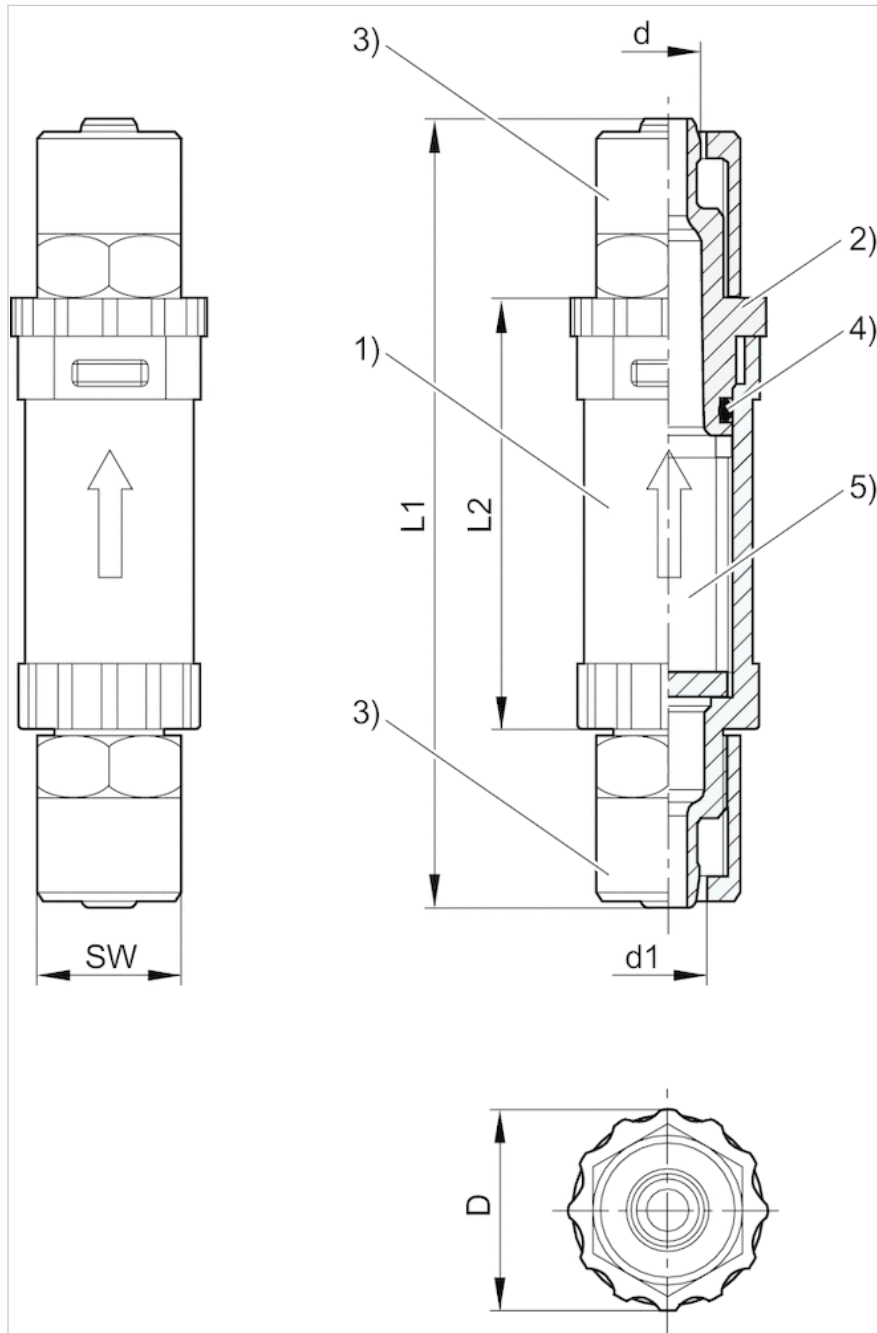
suitable connections: plastic tubing made of polyurethane and polyethylene

Technical information

Material	
Housing	Polyamide
Seals	Acrylonitrile butadiene rubber
Filter insert	Polypropylene Polyamide

Dimensions

Dimensions



- 1) "transparent inline filter housing "
- 2) filter cover with bayonet catch
- 3) tube nut
- 4) O-ring
- 5) Filter

Dimensions

Part No.	Type	External Ø	Internal Ø	d	d1	D	L1	L2	SW
R412010112	VFI-6/4	6 mm	4 mm	4	6.2	16	62	34	12
R412010113	VFI-8/6	8 mm	6 mm	6	8.2	23	70	41	14

Diagrams

characteristics (flow volume)

