

Trunnion mounting, Series MP2

- Suitable piston Ø 32 40 50 63 mm



Technical data

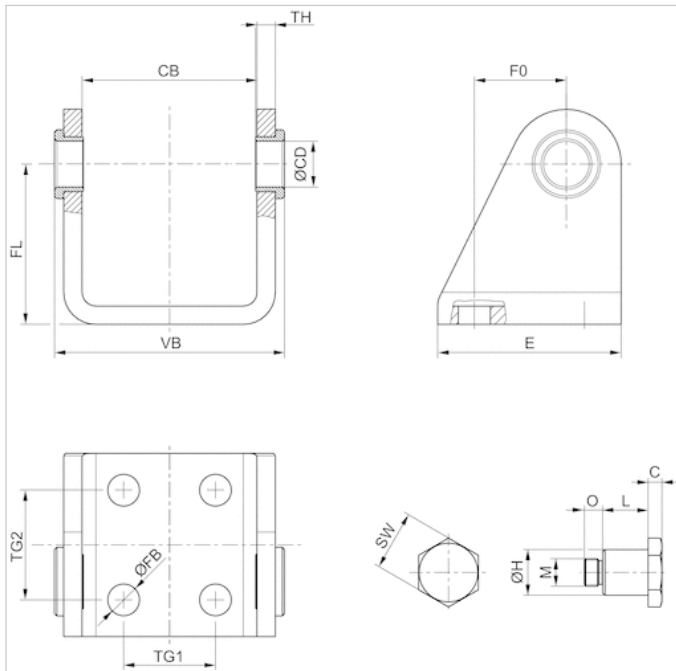
Part No.	Piston Ø
R412019988	32 mm
R412019989	40 mm
R412019990	50 mm
R412019991	63 mm

Scope of delivery: trunnion mounting incl. fitting screws

Technical information

Material	
Material	Steel
	galvanized

Dimensions



Dimensions

Part No.	Piston Ø	C	CB	Ø CD H9	E	Ø FB	FL	F0	Ø H e9	L	M	O	SW	TG1	TG2
R412019988	32 mm	3	38.1	10	40	7	35	20	10	9.9	M6x0,5	4	13	20	24
R412019989	40 mm	3	46.1	12	50	9	40	27	12	10.4	M6x0,5	4	17	28	30
R412019990	50 mm	4	57.1	14	54	9	45	30	14	12.9	M8x0,75	7	19	36	34
R412019991	63 mm	4	70.1	16	65	9	50	34	16	13.9	M8x0,75	7	19	42	35

TH	VB
4	50.1
5	60.1
6	74.1
6	87.1