

# End plate left, End plate right

- standard ISO 5599-1
- Frame size ISO 1
- type F
- Can be assembled into blocks
- Base plate principle, multiple
- Reversed pressure supply permissible



Standards	ISO 5599-1
Compressed air connection	according to ISO 5599-1
Working pressure min./max.	-0,95 ... 16 bar
Ambient temperature min./max.	-15 ... 70 °C
Medium temperature min./max.	-25 ... 70 °C
Medium	Compressed air
Direction of pneumatic port (1)	On the side
Direction of pneumatic port (3,5)	On the side
Exhaust (3,5)	With directional exhaust (3/5)
Exhaust type	Ports separated
Mounting screw	hexagon head
Weight	0,208 kg

## Technical data

Part No.	Compressed air connection Input [1]	Compressed air connection Exhaust [3 / 5]
1825503145	G 3/8	G 3/8

## Technical information

The min. control pressure must be adhered to, since otherwise faulty switching and valve failure may result!

The pressure dew point must be at least 15 °C under ambient and medium temperature and may not exceed 3 °C .

The oil content of compressed air must remain constant during the life cycle.

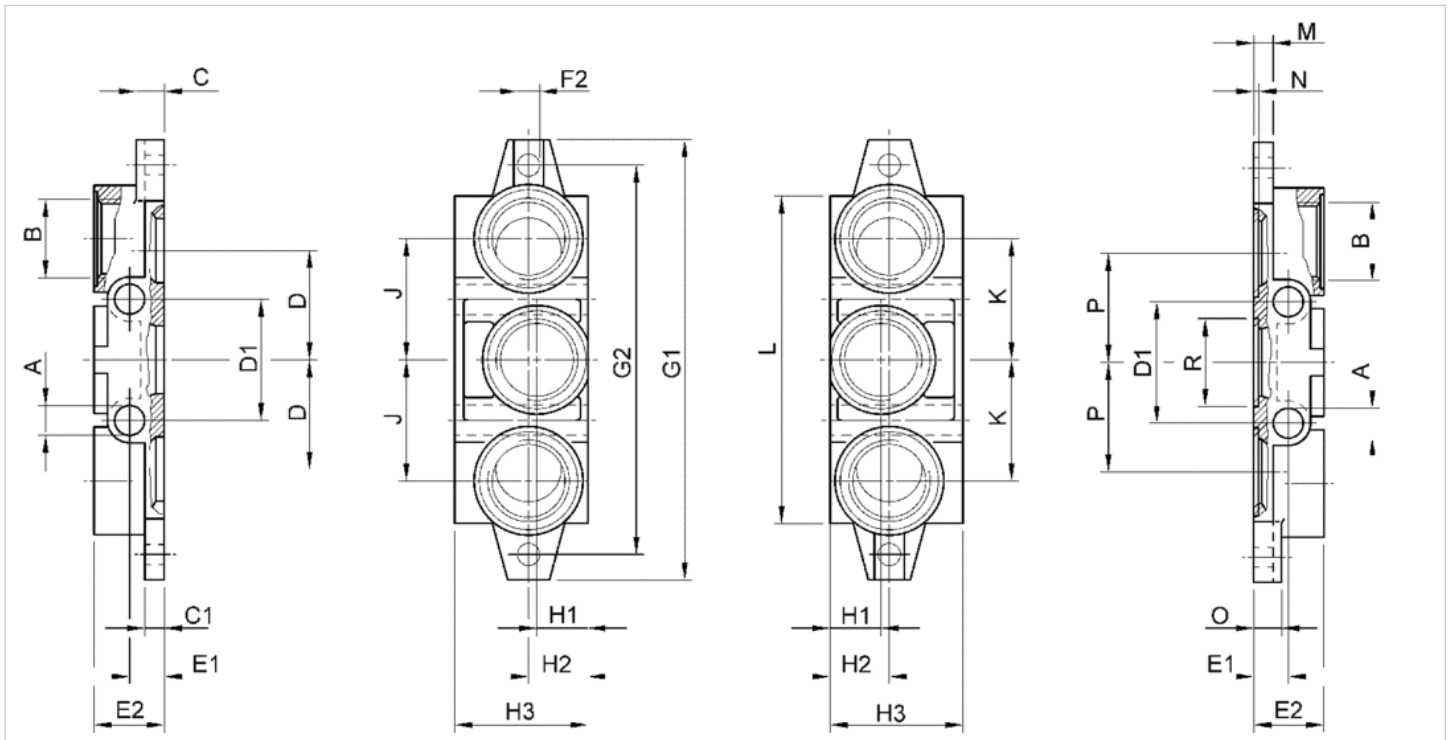
Use only the approved oils from AVENTICS. Further information can be found in the "Technical information" document (available in the MediaCentre).

## Technical information

Material	
Base plate	Die-cast aluminum
Seal	Acrylonitrile butadiene rubber

## Dimensions

### Dimensions



## Dimensions

Part No.	A	B	C	C1	D	D1	E1	E2	F2	G1	G2	H1	H2	H3	J	K	L	M	N	O	P	R
1825503145	7	G 3/8	8	6	24	28	11	22	∅ 5,5	110	95	22	22	46	28	28	85	6	2	8	24	∅ 22,1