

Base plate, Ports 2 and 4 on side, 1,2 and 4 also on bottom

- standard ISO 5599-1
- Frame size ISO 1
- type H
- Compressed air connection output G 1/4
- Can be assembled into blocks



Standards	ISO 5599-1
Working pressure min./max.	0 ... 16 bar
Ambient temperature min./max.	-15 ... 70 °C
Medium temperature min./max.	-15 ... 80 °C
Medium	Compressed air
Grid dimension	43 mm
Exhaust type	Ports separated
Mounting screw	with hexagon socket
Weight	See table

Technical data

Part No.	Compressed air connection Input [1]	Compressed air connection Output [2 / 4]
1825503286	-	G 1/4
1825503288	-	G 1/4
1825503290	G 1/4	G 1/4
1825503292	G 1/4	G 1/4

Part No.	Compressed air connection Pilot connection [X]	Compressed air connection Pilot control exhaust [R]	Weight	Fig.
1825503286	M5	M5	0,24 kg	Fig. 1
1825503288	M5	M5	0,24 kg	Fig. 2
1825503290	M5	M5	0,27 kg	Fig. 3
1825503292	M5	M5	0,27 kg	Fig. 4

Part No.	Part No.
1825503286	1)
1825503288	2)
1825503290	3)
1825503292	4)

Technical information

- 2) Ports 2 and 4 on side, control pressure connection 12 and 14: central manifold
- 3) Ports 2 and 4 on side, 1,2 and 4 also on bottom, control pressure connection 12 and 14: single connection

The min. control pressure must be adhered to, since otherwise faulty switching and valve failure may result!
The pressure dew point must be at least 15 °C under ambient and medium temperature and may not exceed 3 °C .
The oil content of compressed air must remain constant during the life cycle.
Use only the approved oils from AVENTICS. Further information can be found in the "Technical information" document (available in the MediaCentre).

Technical information

Material	
Housing	Die-cast aluminum
Base plate	Die-cast aluminum
Seal	Acrylonitrile butadiene rubber

Dimensions

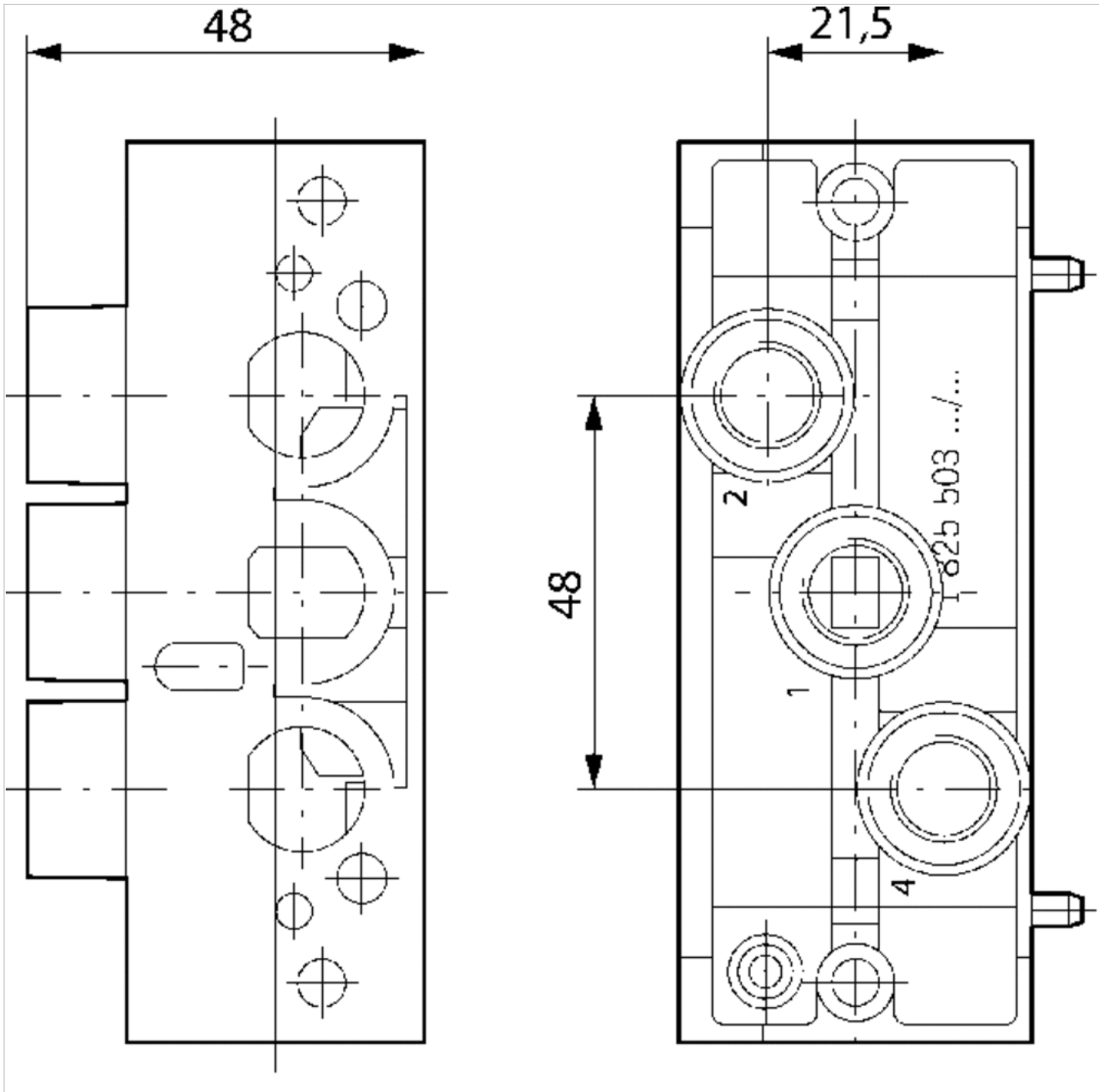


Fig. 1 ports 2 and 4 on side Control pressure connection 12+14: single connection

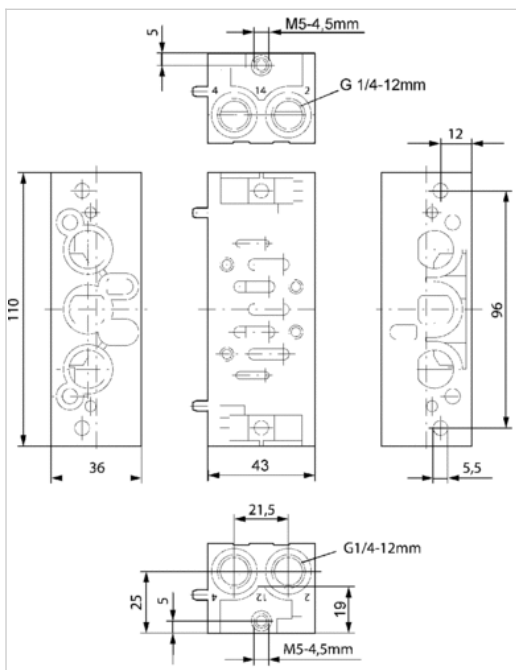
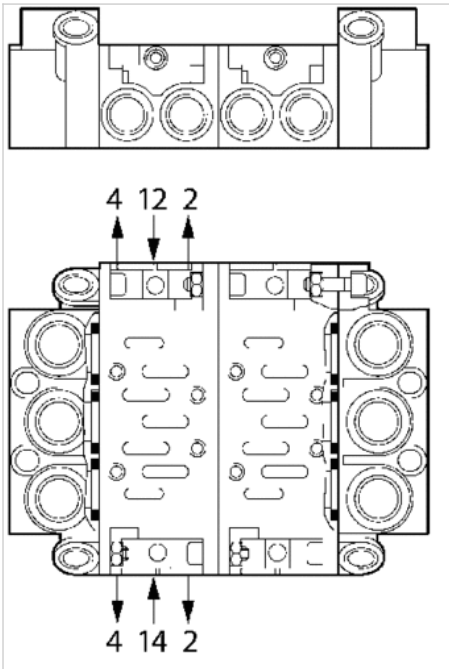


Fig. 2 ports 2 and 4 on side Control pressure connection 12+14: central manifold

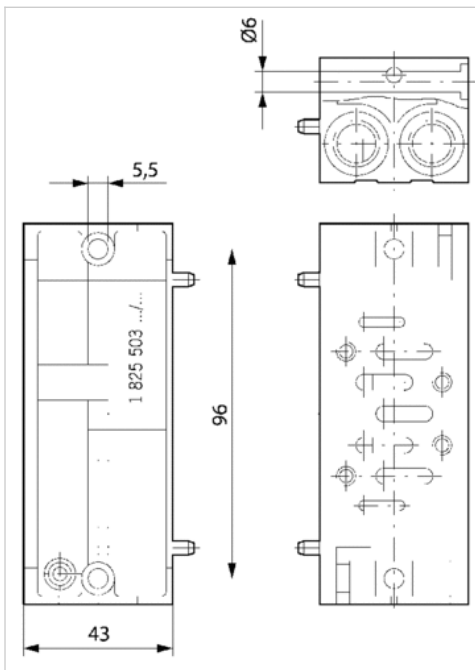
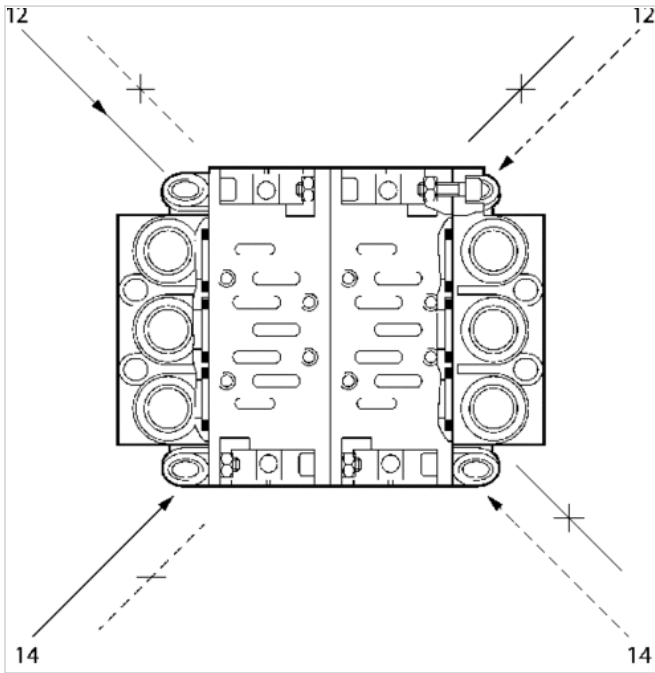


Fig. 3 Ports 2 and 4 on side 12 and 4 also on bottom Control pressure connection 12+14: single

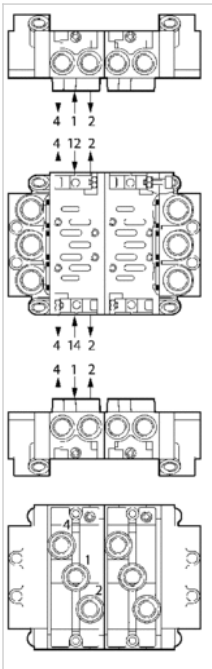


Fig. 4 Ports 2 and 4 on side 12 and 4 also on bottom Control pressure connection 12+14: central

