

End plate left, End plate right

- standard ISO 5599-1
- Frame size ISO 1
- type H
- Can be assembled into blocks



Standards	ISO 5599-1
Working pressure min./max.	0 ... 16 bar
Ambient temperature min./max.	-15 ... 70 °C
Medium temperature min./max.	-15 ... 70 °C
Medium	Compressed air
Exhaust (3,5)	With directional exhaust (3/5)
Exhaust type	Ports separated
Mounting screw	with hexagon socket
Weight	See table

Technical data

Part No.	Compressed air connection Input [1]	Compressed air connection Exhaust [3 / 5]
1825503294	G 3/8	G 3/8
1825503297	G 3/8	G 3/8

Part No.	Compressed air connection Pilot connection [X]	Compressed air connection Pilot control exhaust [R]	Weight	Fig.
1825503294	G 1/8	G 1/8	0,404 kg	Fig. 1
1825503297	G 1/8	G 1/8	0,382 kg	Fig. 2

Technical information

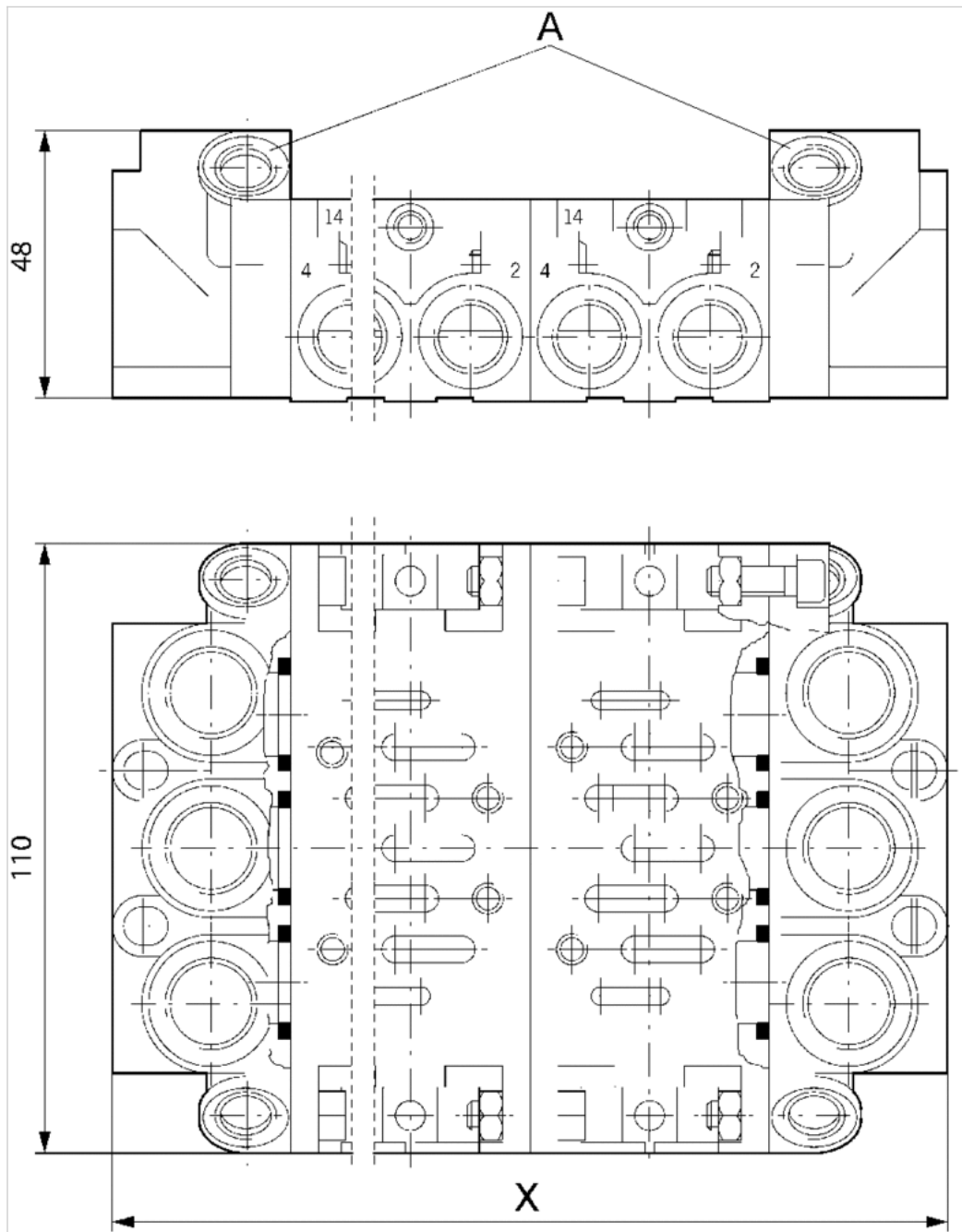
The min. control pressure must be adhered to, since otherwise faulty switching and valve failure may result!
 The pressure dew point must be at least 15 °C under ambient and medium temperature and may not exceed 3 °C .
 The oil content of compressed air must remain constant during the life cycle.
 Use only the approved oils from AVENTICS. Further information can be found in the "Technical information" document (available in the MediaCentre).

Technical information

Material	
Base plate	Die-cast aluminum
Seal	Acrylonitrile butadiene rubber

Dimensions

Dimensions



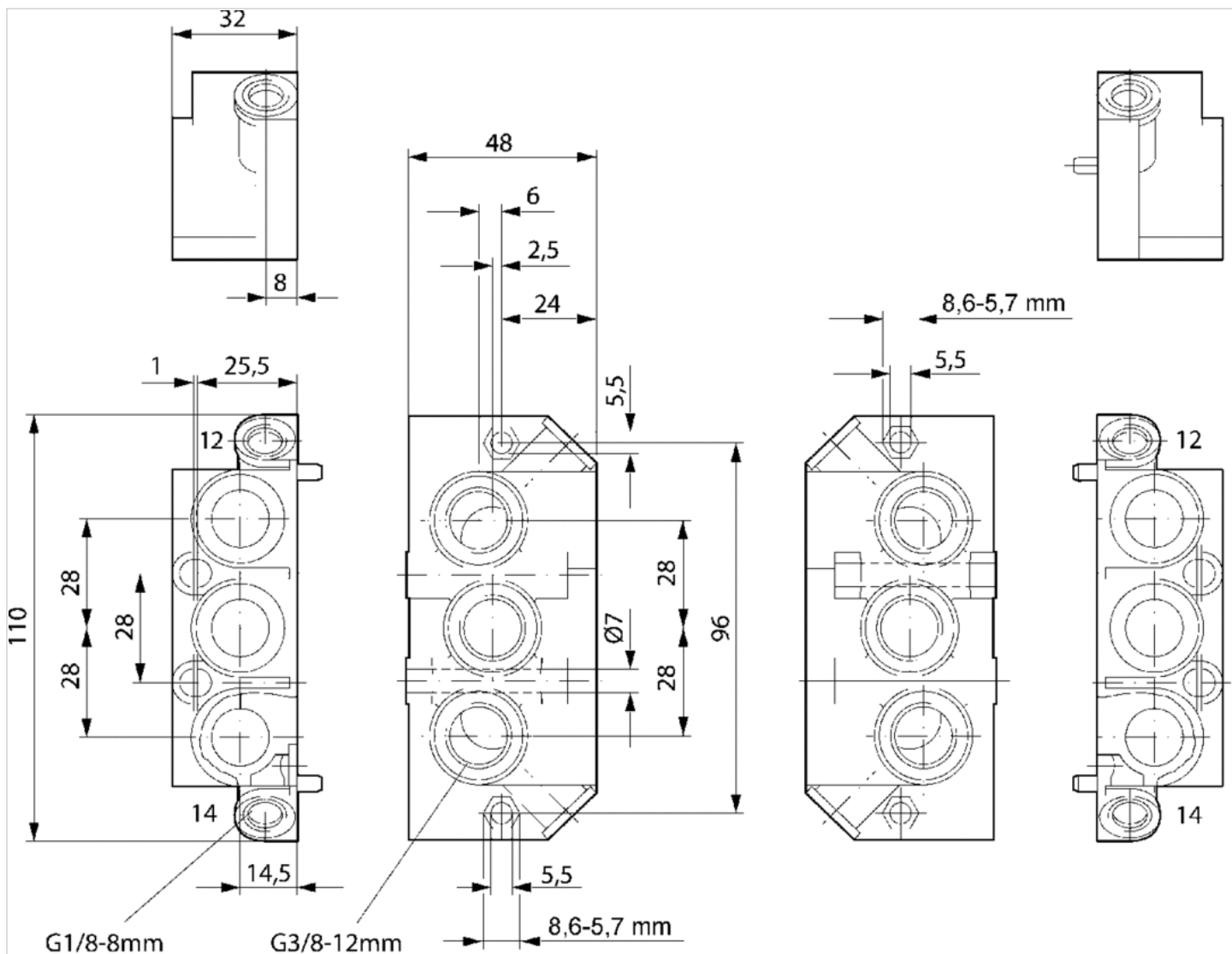
A = left and right end plates in two versions

Dimensions

n	X
2	150
3	193
4	236
...	...
n	$n*43+64$

n = number of valve positions

Dimensions



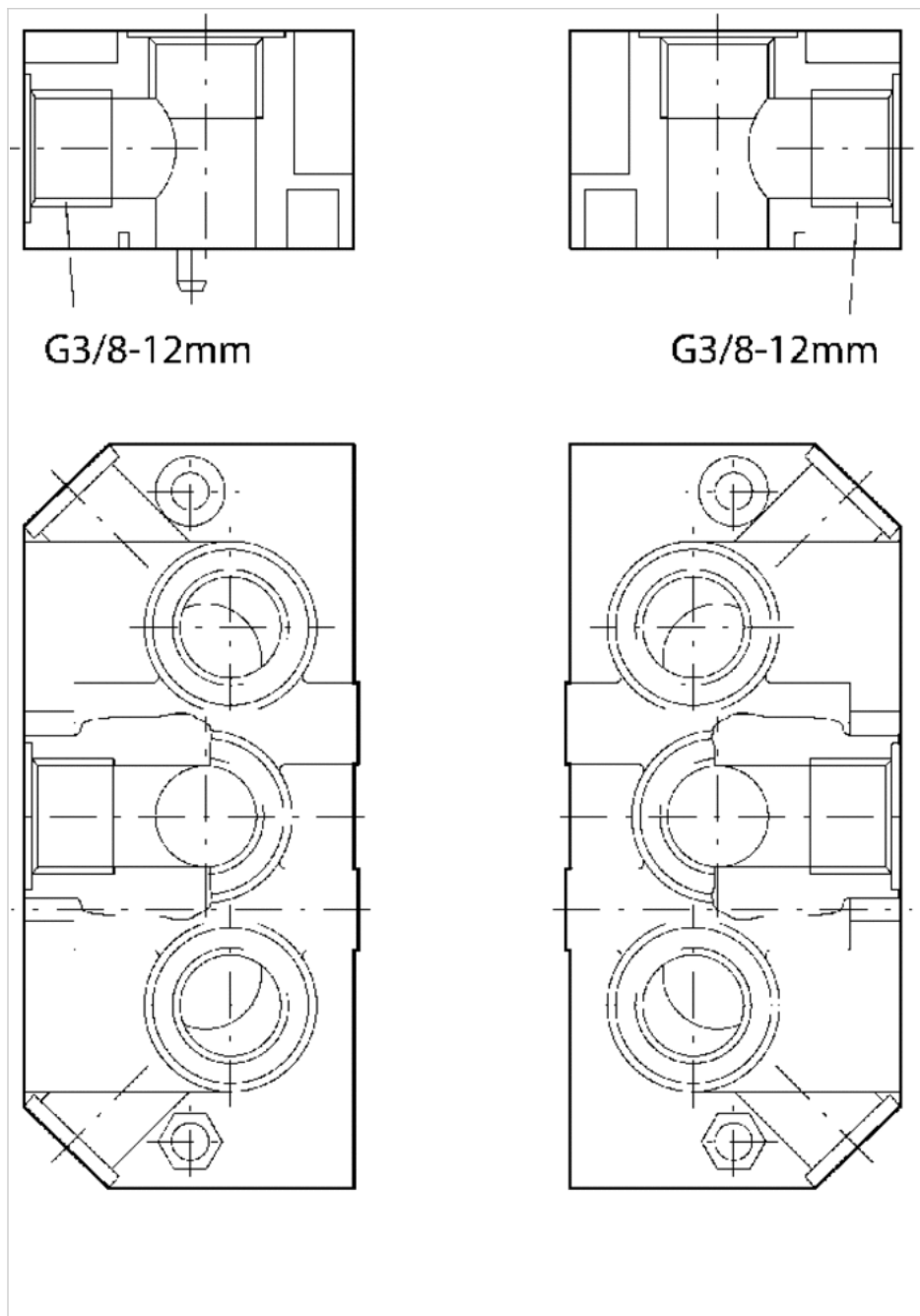


Fig. 1 Thread connections 1 3 and 5 axial

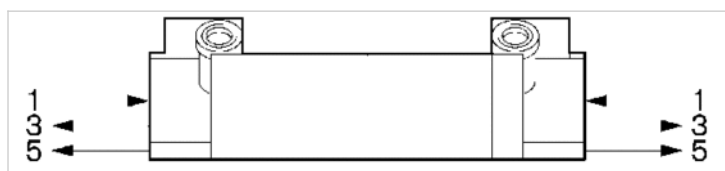


Fig. 2 Thread connections 1 3 and 5 axial and from the top

