

End plates for adapter plate

- standard ISO 5599-1
- Frame size ISO 1, ISO 2
- type F
- Can be assembled into blocks
- Reversed pressure supply permissible



Standards	ISO 5599-1
Working pressure min./max.	-0,95 ... 16 bar
Ambient temperature min./max.	-15 ... 70 °C
Medium temperature min./max.	-15 ... 80 °C
Medium	Compressed air
Direction of pneumatic port (1)	On the side
Direction of pneumatic port (3,5)	On the side
Exhaust (3,5)	With directional exhaust (3/5)
Exhaust type	Ports separated
Mounting screw	hexagon head
Weight	0,255 kg

Technical data

Part No.
1825503244

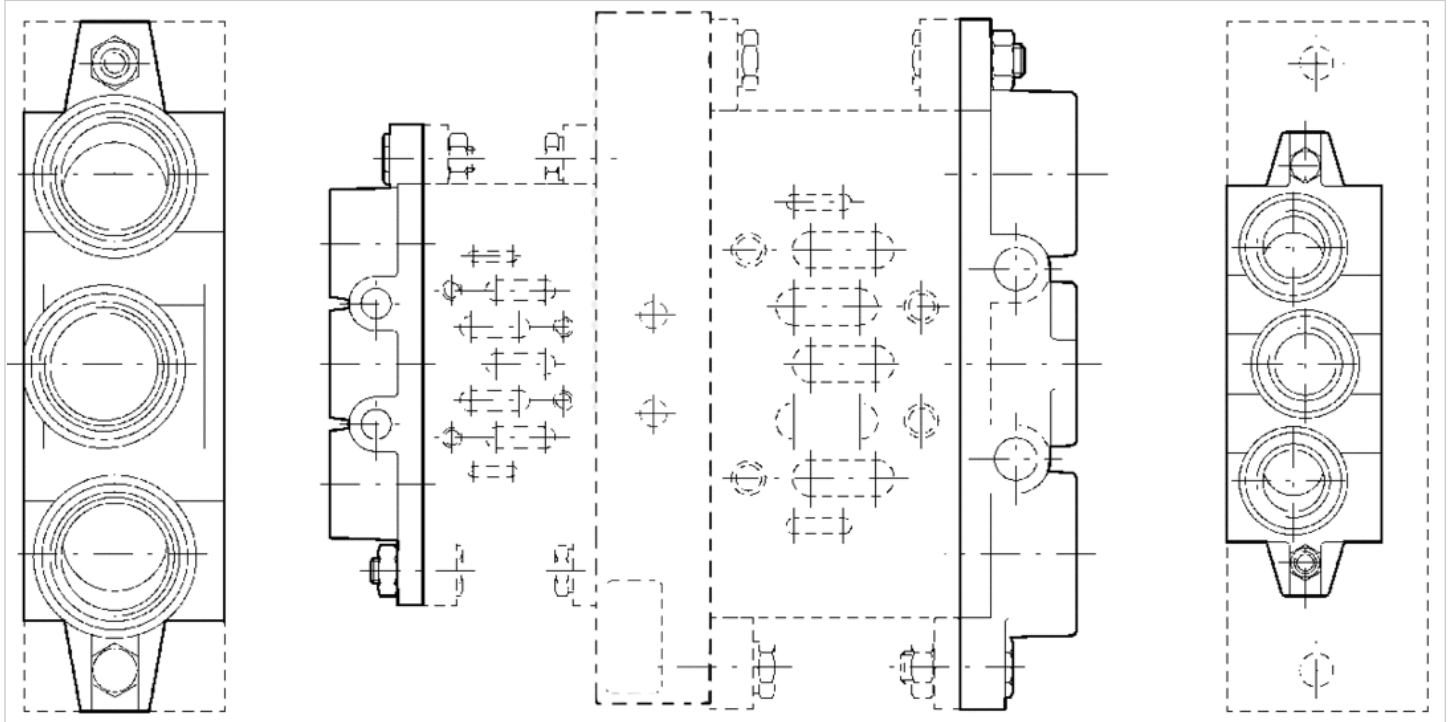
Technical information

The min. control pressure must be adhered to, since otherwise faulty switching and valve failure may result!
 The pressure dew point must be at least 15 °C under ambient and medium temperature and may not exceed 3 °C .
 The oil content of compressed air must remain constant during the life cycle.
 Use only the approved oils from AVENTICS. Further information can be found in the "Technical information" document (available in the MediaCentre).

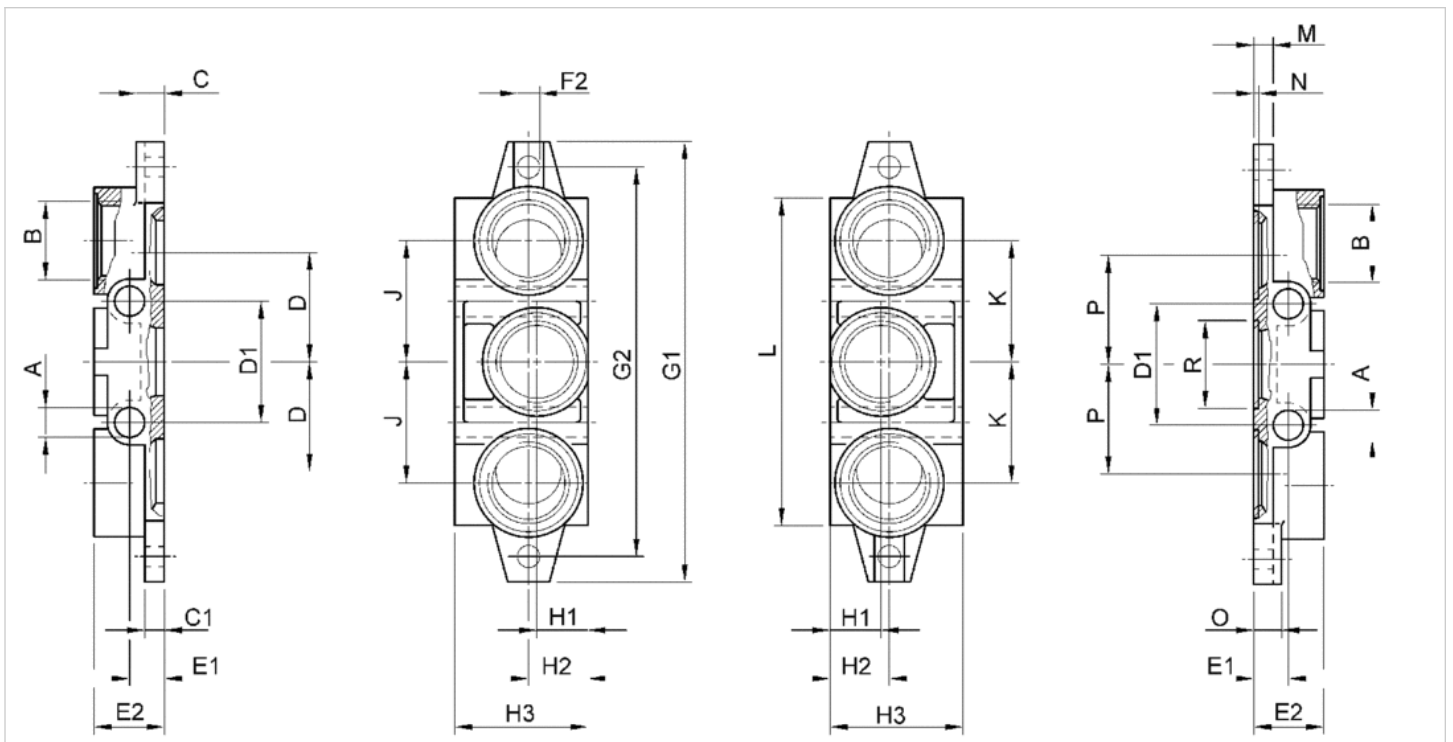
Technical information

Material	
Base plate	Die-cast aluminum
Seal	Acrylonitrile butadiene rubber

Dimensions



Dimensions



Dimensions

	ISO 1	ISO 2	ISO 3
A	7	9	12
B	G 3/8	G 1/2	G 1

UK Office
5 Caulside Drive
Antrim
BT41 2DU
United Kingdom
+44 (0) 28 9448 1808

European Office
Unit 6, Saint Anthony's Business Park
Dublin
D22 VW95
Ireland
+353 (0) 1 4373653



	ISO 1	ISO 2	ISO 3
C	8	11	12
C1	6	8	8
D	24	31,5	47
D1	28	35	52
E1	11	13	15
E2	22	26	32
F2	Ø 5,5	Ø 6,6	Ø 9
G1	110	135	190
G2	95	115	168
H1	22	23	22
H2	22	24	25
H3	46	47	56
J	28	34	52
K	28	34	52
L	85	100	140
M	6	8	8
N	2	2	2,7
O	8	11	12
P	24	31,5	47
R	Ø 22,1	Ø 28,7	Ø 38