

Angle subplate

- standard ISO 5599-1
- Frame size ISO 1
- type F
- Compressed air connection output G 1/4



Standards	ISO 5599-1
Working pressure min./max.	0 ... 10 bar
Ambient temperature min./max.	-15 ... 80 °C
Medium temperature min./max.	-15 ... 80 °C
Medium	Compressed air
Direction of pneumatic port (2,4)	On the side
Mounting screw	with hexagon socket
Weight	0,413 kg

Technical data

Part No.	Compressed air connection Output [2 / 4]
1825503170	G 1/4

Technical information

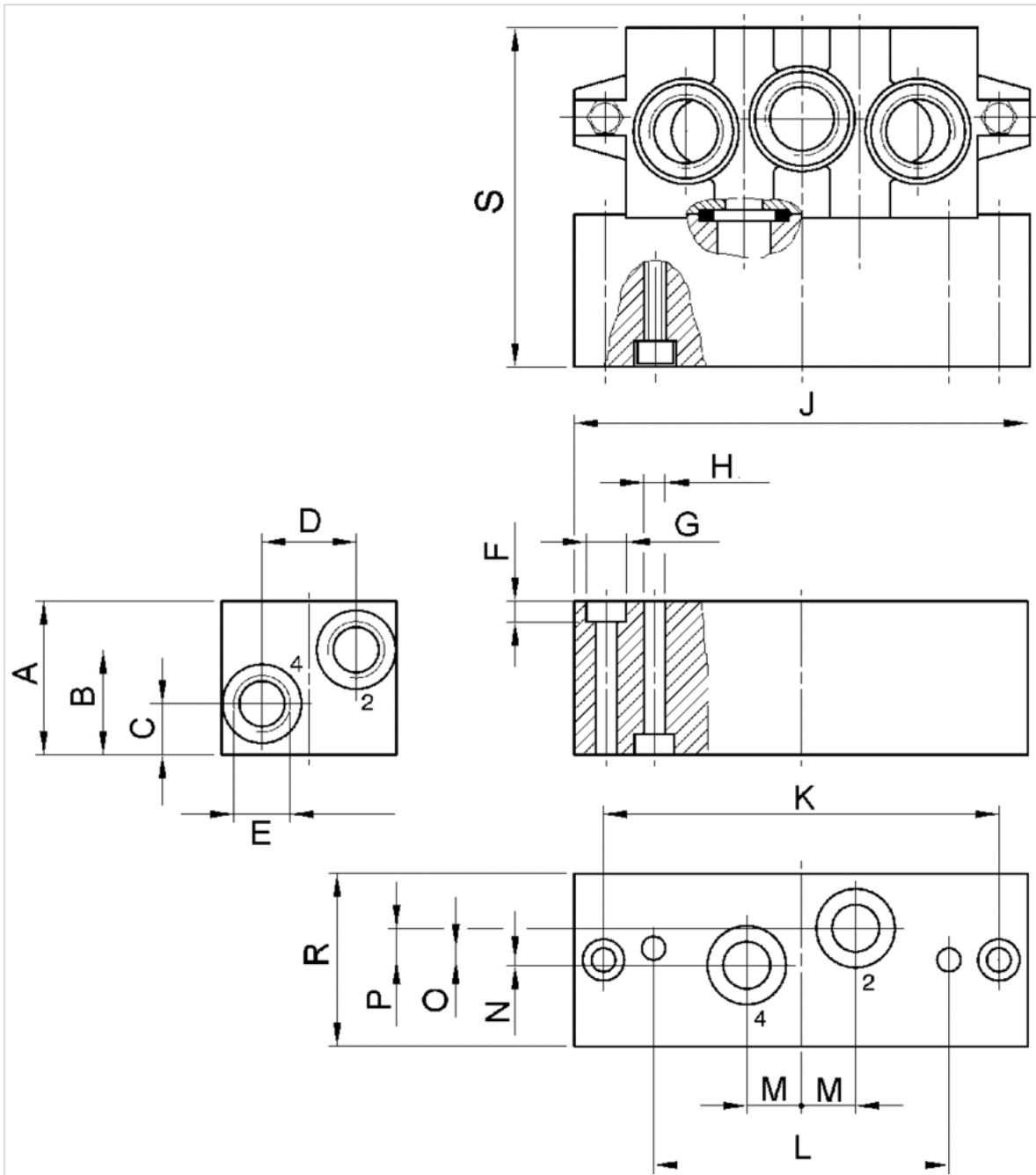
The min. control pressure must be adhered to, since otherwise faulty switching and valve failure may result!
The pressure dew point must be at least 15 °C under ambient and medium temperature and may not exceed 3 °C .
The oil content of compressed air must remain constant during the life cycle.
Use only the approved oils from AVENTICS. Further information can be found in the "Technical information" document (available in the MediaCentre).

Technical information

Material	
Base plate	Aluminum
Seal	Acrylonitrile butadiene rubber

Dimensions

Dimensions



Dimensions

Part No.	A	B	C	D	E	F	G	H	J	K	L	M	N	O	P	R	S
1825503170	37	25	12	22	G 1/4	5,7	Ø 10	Ø 5,5	110	95	71	13	1,5	3	7,5	42	81