

Throttle plate

- standard ISO 5599-1
- Frame size ISO 1



Standards	ISO 5599-1
Working pressure min./max.	0 ... 16 bar
Ambient temperature min./max.	0 ... 80 °C
Medium temperature min./max.	0 ... 80 °C
Medium	Compressed air
Weight	0,255 kg

Technical data

Part No.
0821201023

Technical information

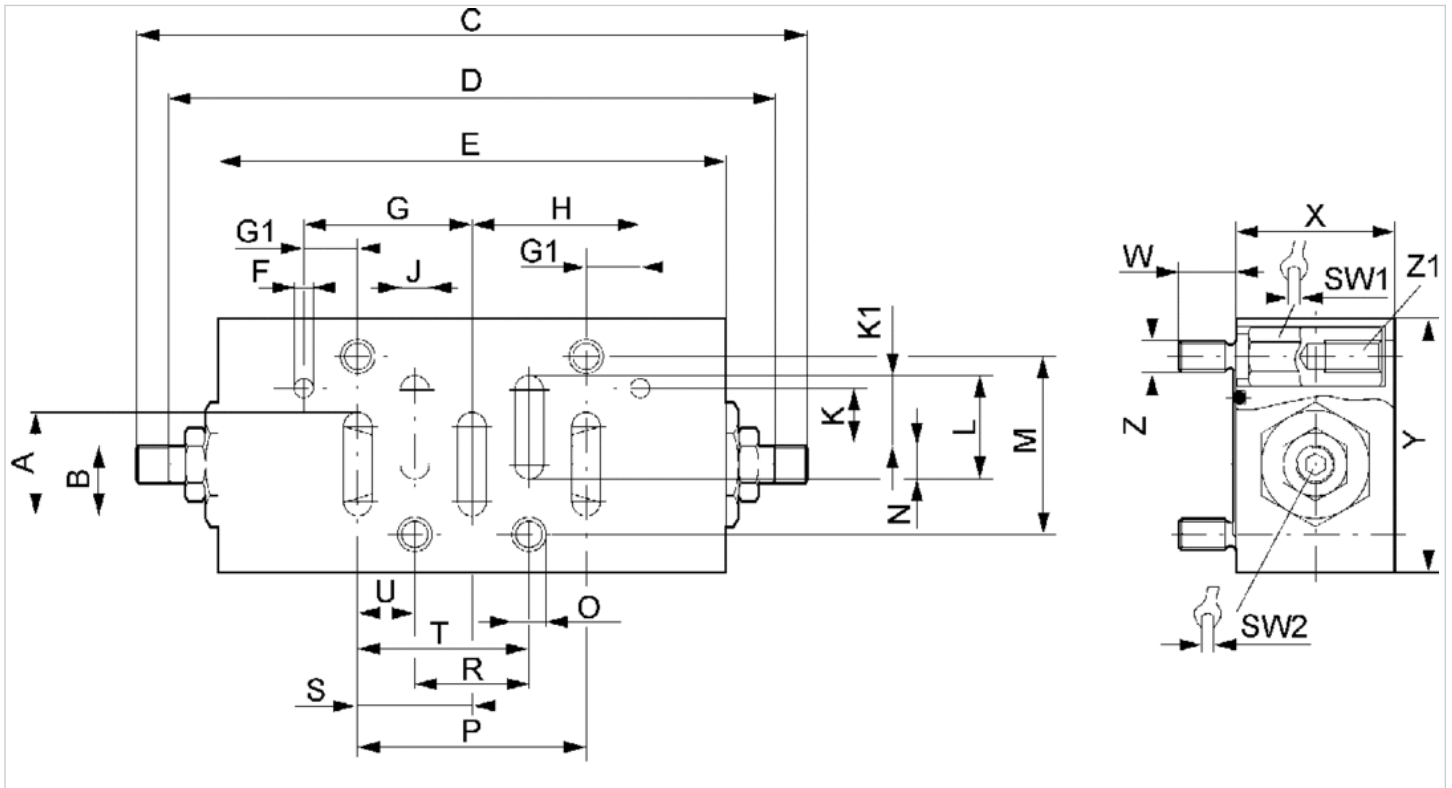
The min. control pressure must be adhered to, since otherwise faulty switching and valve failure may result!
 The pressure dew point must be at least 15 °C under ambient and medium temperature and may not exceed 3 °C .
 The oil content of compressed air must remain constant during the life cycle.
 Use only the approved oils from AVENTICS. Further information can be found in the "Technical information" document (available in the MediaCentre).

Technical information

Material	
Base plate	Aluminum
Seal	Acrylonitrile butadiene rubber

Dimensions

Dimensions



Dimensions

Part No.	A	B	C	D	E	F	G	G1	H	J	K	K1	L	M	N	O	P	R	S	SW1	SW2	T
0821201023	16.3	11,1	105.6	95.6	80	3	26,5	8.5	26.5	4.5	9	10.8	16.3	28	5.5	5.2	36	18	18	8	3	27

U	W	X	Y	Z	Weight	Z1
9	9	25	40	M5	0,255 kg	M5-9