

Round plug connector, Series CON-RD

- Socket, 7/8"-16UNF, 5-pin, straight, 180°
- unshielded



Connection type	Screws
Ambient temperature min./max.	-25 ... 85 °C
Operational voltage	48 V AC/DC
Protection class	IP67
Mounting screw tightening torque	0,8 Nm
Weight	0,054 kg

Technical data

Part No.	Max. current	suitable cable-Ø min./max
R412024840	9 A	6 / 8 mm

Technical information

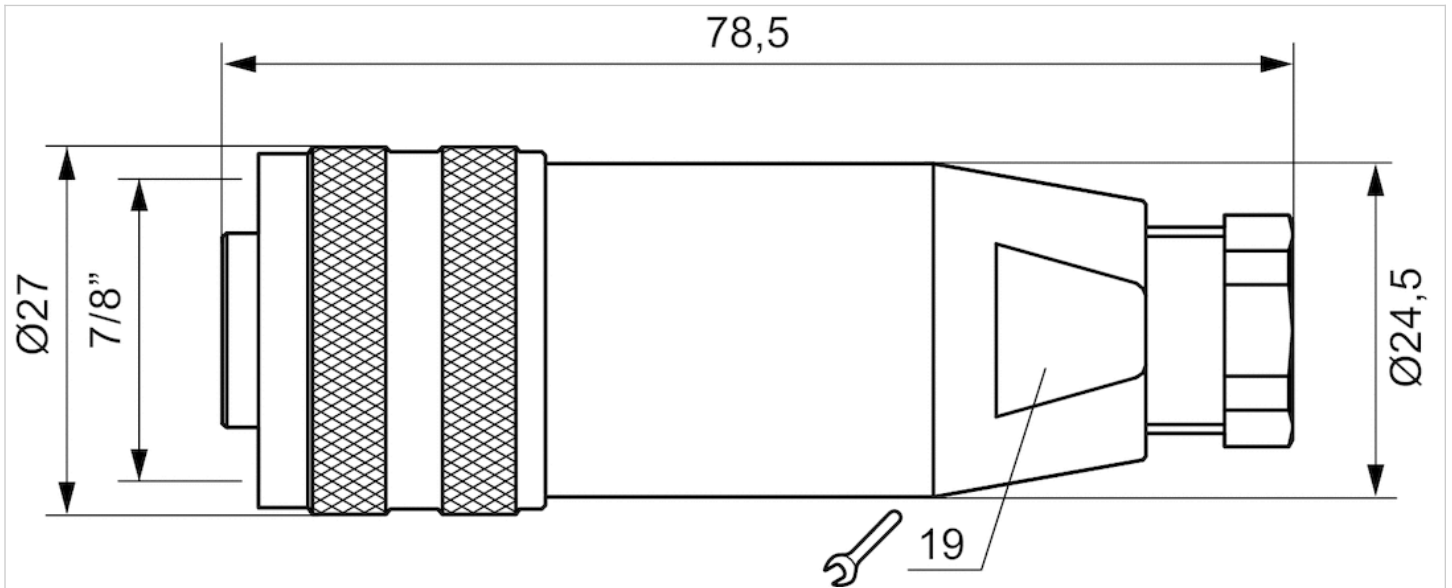
The specified protection class is only valid in assembled and tested state.

Technical information

Material	
Housing	Polybutyleneterephthalate

Dimensions

Dimensions



Pin assignments

